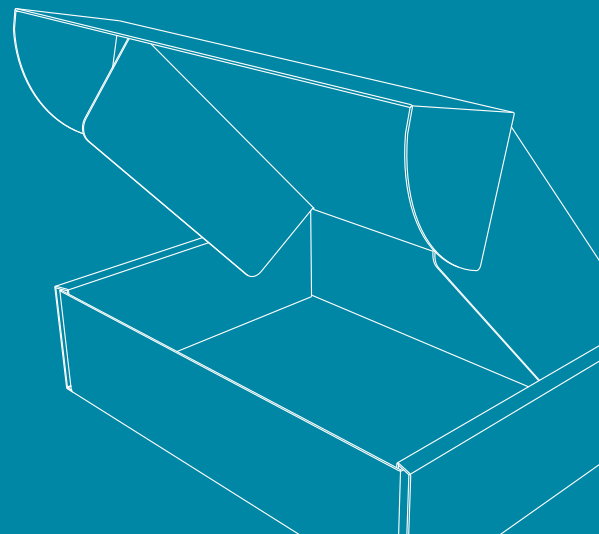
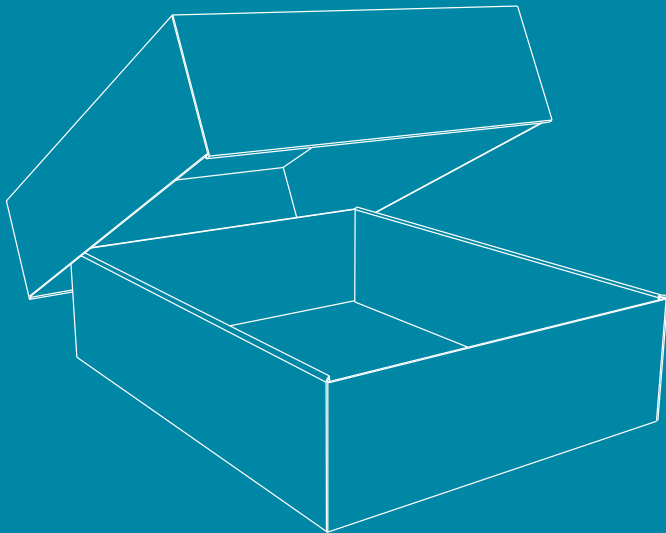
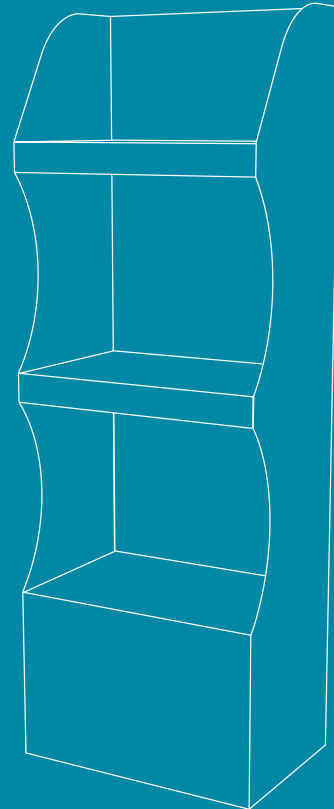
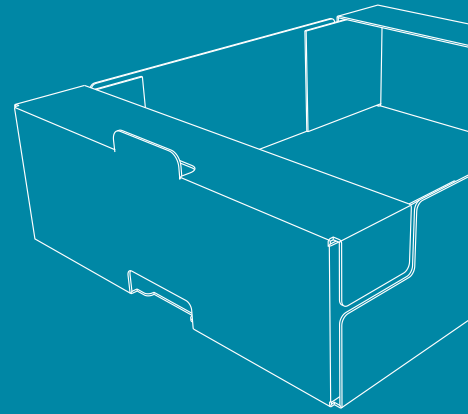


FEFCO CODE

© 2022, 12TH EDITION



DESIGN STYLE LIBRARY
FOR CORRUGATED BOARD PRODUCTS

FEFCO
Corrugated Packaging

The FEFCO code is the internationally recognised system for the classification of corrugated board packaging designs. It contains designs of the most common box types with a code number attached to each design, simplifying the identification process.

PUBLISHED BY FEFCO

Avenue Louise 250
1050 – Brussels
Belgium
www.fefco.org

Adopted by ICCA,
the International Corrugated Case Association,
with its worldwide membership.
www.iccanet.org

CONTENT

| | |
|--|------------|
| FEFCO Code – Design style library for corrugated board products | 4 |
| List of NEW designs | 8 |
| 0100 Commercial rolls and sheets | 9 |
| 0200 Slotted boxes | 15 |
| 0300 Telescopic boxes | 30 |
| 0400 Folder boxes and trays | 41 |
| 0500 Slide boxes | 74 |
| 0600 Rigid boxes | 80 |
| 0700 Ready-glued cases | 86 |
| 0800 Retail and e-commerce packaging | 103 |
| 0900 Interior fitments | 123 |

INTERACTIVE PDF

The digital version of this document has interactive links to help locate the right design quickly. Use the table of contents to get to each code series, by clicking the miniature image (s) in the overview.

The small Fefco logo on each page will lead back to the content page.
The number in the top right corner will lead back to the code overview.

FEFCO Code – Design style library for corrugated board products

The first Code was developed in the 1960's by FEFCO and ESBO (formerly ASSCO) as a numerical code system for corrugated boxes to avoid confusion when communicating in different languages. This is the 12th edition of the Code, extended with new developments.

As corrugated boxes continuously develop it is impossible to describe all of them in this catalogue. Other styles, together with custom designs to meet specific requirements, are always possible.



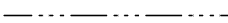
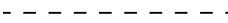

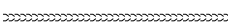
References to this Code may be used in orders, specifications or publications. Any additions or modifications are allowed only through FEFCO.

The dimensions L, W, H and v are specified in each description of the case construction, for some designs the numerical value of W can exceed the numerical value of L. Dimensions should be measured under standard climatic conditions (23°C and 50 % RH according to the standard EN 20187), on the flat blank from the centre of crease bearing the thickness of the material in mind.

For cases with overlapping outer flaps the length of the area of overlapping (o) should be given as a fourth measurement after an oblique stroke, i.e.

355 x 205 x 120/40 mm
(L) (W) (H) (o)

SYMBOLS USED IN DRAWINGS AND COMPUTER SYSTEMS

| DRAWING SYMBOL CUTS, SCORES, SLITS ETC. | DESCRIPTION |
|---|---|
|  | contours of erected cases or cutting lines of case blanks |
|  | crease lines |
|  | partial cut lines |
|  | perforation lines |
|  | tape lines |
|  | tearaway lines |

CASE DIMENSIONS

All dimensions are expressed as internal dimensions in mm as follows:

Length (L) x Width (W) x Height (H)

Length (L): Longer dimension at the opening

Width (W): Shorter dimension at the opening

Height (H): Dimension from the top of the opening to the base

Variable (v): A variable dimension defined by the design attributes

SHEET DIMENSIONS

Unless otherwise specified, the dimensions of a corrugated sheet are expressed in mm as follows:

1st dimension x 2nd dimension
1st dimension – along the flute glue lines
2nd dimension – across the flute glue lines

STYLE VERSIONS

Several case types may have derived versions without the necessity to create a new style. In this case a suffix should be added to the basic style number, separated by a dot.

Example: **0201.2**

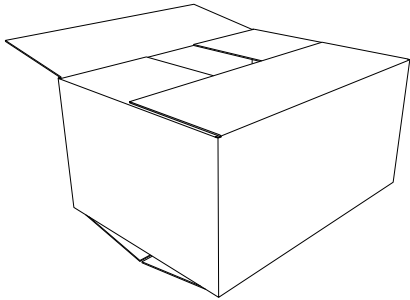
A version may be unique to individual manufacturers.

STYLES AND THE MANUFACTURERS JOINT

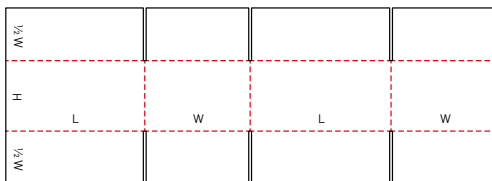
The drawing style layouts as shown in this Code may need to be rearranged depending on the manufacturer's chosen joint. Some styles may have a manufacturer's joint which may be glued, stitched or taped. A glued or stitched joint may have an extension to either the short or the long panel. The standard suffix can be added to the code name to determine "G" for glued and "S" for stitched box, e.g. 0201-G.

Panel configurations may be visualized in alternate ways to suit manufacturing capability. Jointing seams may be positioned on the left or right hand side of any style, which may be a long or short panel. Any jointing panel may be extended above and/or below the standard depth configuration of a jointed style.

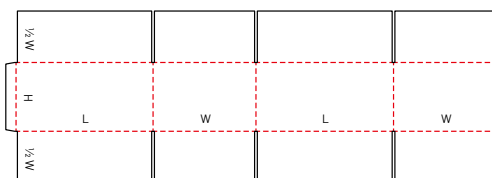
Example: **0201**



Taped joint



Glued or stitched joint



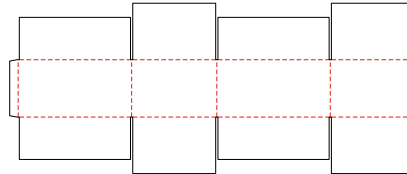
This applies to all designs in this Code.

COMBINATIONS OF STYLES

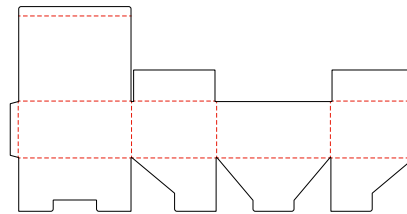
The construction styles shown are of the basic types of corrugated cases. If the ultimate construction is a combination of two or three basic models, e.g. flap arrangements, they may also be described as follows:

Top flaps as 0204, Bottom flaps as 0215

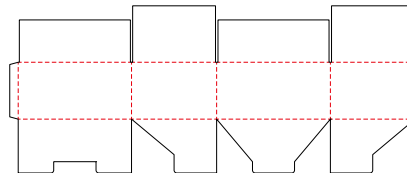
0204



0215



0204/0215



This type may also be described as 0204/0215 (Top flaps/Bottom flaps).

MANUAL OR AUTOMATED ERECTION

Each design style includes one of the following indications:

- M:** usually manual erection
- A:** usually automated erection
- M/A:** can be either manual or automated erection

These indications are based on current practice and are intended to give additional information for specifications and users. Some manually erected cases can be closed automatically (e.g. 0216 or 0712).

Description of the basic style series

THE TERMS BOX, CONTAINER AND CASE ARE INTERCHANGEABLE

GENERAL REMARK

Please note, that several case designs contained in the Code under a specific number could also be classified under other basic style series.

01 - Commercial rolls and sheets

02 - Slotted boxes

Slotted boxes consist of basically one piece with a glued, stitched or taped manufacturers joint and top and bottom flaps. They are shipped flat, ready to use and require closing using the flaps provided.

03 - Telescopic boxes

Telescopic boxes usually consist of more than one piece (e.g. top and bottom) and they fit over each other.

04 - Folder boxes and trays

Folder boxes and trays are usually made from one piece of board. The bottom of the box is hinged to form two or all side walls and the cover. Locking tabs, handles, display panels, etc. can be incorporated in some designs.

05 - Slide boxes

Slide boxes consist of several pieces of liners and sleeves sliding in different directions into each other. This group also includes outside sleeves for other cases.

06 - Rigid boxes

Rigid boxes consist of two separate end pieces and a body that require stitching or a similar operation before they can be used.

07 - Ready-glued cases

Ready-glued cases consist of basically one piece, are shipped flat and ready to use by simple assembly.

08 - Retail and e-commerce packaging

Retail and e-commerce packaging category shows the typical styles used for Point of Sale (POS) displays and trays as well as styles for the online trade.

09 - Interior fitments

Interior fitments such as inside liners, pads, partitions, dividers, etc. whether integrated in the box design or as separate items. Any shown number of panels is arbitrary and may be increased or decreased as required.

WRITING OF THE STYLE CODE

FULL CODE: XXXX.XXXX

| STYLE XXXX | STYLE VERSION .XXXX |
|--|---|
| The standard recognised shape/design from this code. | The version number to differentiate the variation from the standard design (corresponding to an individual drawing or CAD/CAM library). |

Closure of boxes

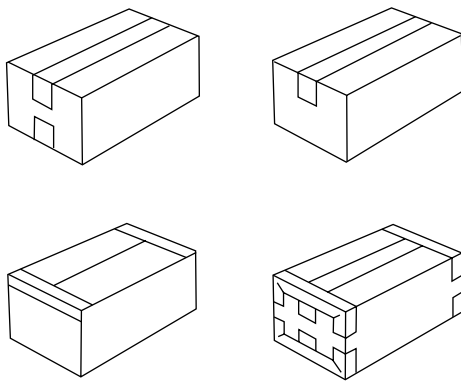
Correct and effective closure of the packaging is as important as the packaging construction itself.

The following methods of closures are possible either singly or in combination:

- by gluing, cold or hot
- by taping
- by interlocking
- by stitching

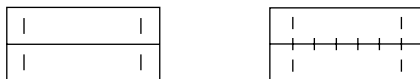
CLOSING BY TAPING

This can be done according to the examples shown.



CLOSING BY STITCHING

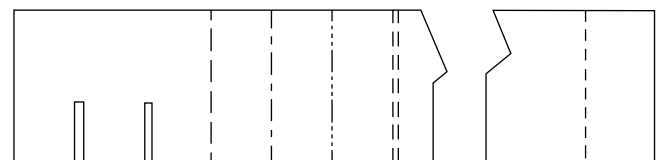
This can be done according to the examples shown.



Coding of interior fitments

The following range of interior fitments can be coded depending on the number of panels used, in any combination of shapes (for computer systems).

| NUMBER OF PANELS | | CODE |
|------------------|---|------|
| 2 | > | 0982 |
| 3 | > | 0983 |
| 4 | > | 0984 |
| 5 | > | 0985 |
| 6 | > | 0986 |
| 7 | > | 0987 |
| 8 | > | 0988 |
| 9 | > | 0989 |
| 10 | > | 0990 |
| 11 | > | 0991 |
| 12 | > | 0992 |
| 13 | > | 0993 |
| 14 | > | 0994 |
| 15 | > | 0995 |
| 16 | > | 0996 |
| 17 | > | 0997 |
| 18 | > | 0998 |
| 19 | > | 0999 |



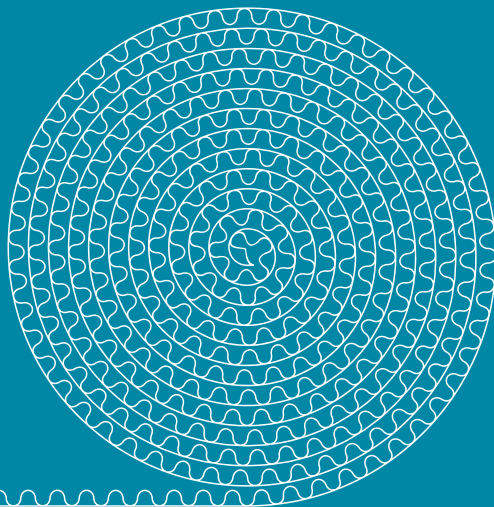
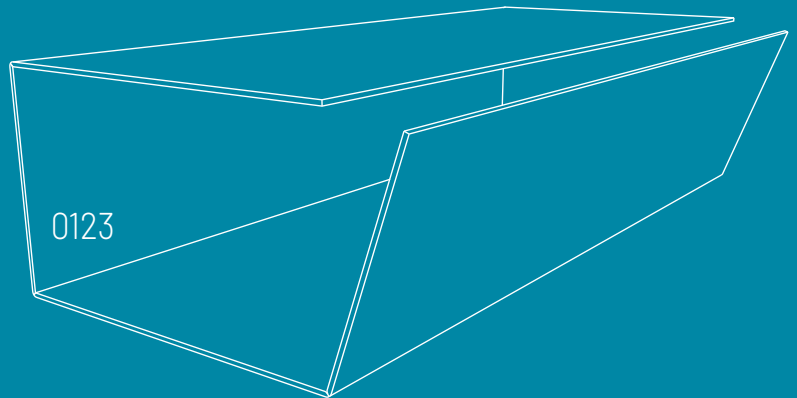
0982/0999

M

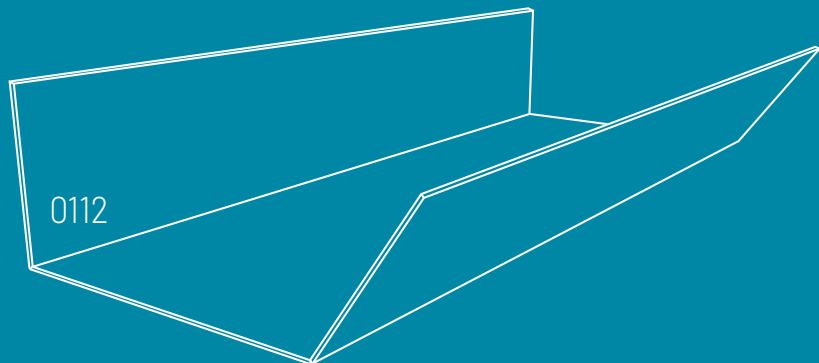
List of NEW designs

| <u>100</u> | <u>200</u> | <u>300</u> | <u>400</u> | <u>700</u> | <u>800</u> | <u>900</u> | |
|------------|------------|------------|------------|------------|------------|------------|------|
| 0111 | 0219 | 0319 | 0407 | 0702 | 0801 | 0853 | 0912 |
| 0112 | 0220 | 0360 | 0414 | 0704 | 0802 | 0854 | 0936 |
| 0113 | 0221 | | 0418 | 0705 | 0803 | 0858 | 0937 |
| 0119 | 0222 | | 0425.1 | 0706 | 0804 | 0859 | 0938 |
| 0121 | 0229.1 | | 0427.1 | 0707 | 0808 | 0860 | 0939 |
| 0122 | 0232 | | 0435.1 | 0708 | 0809 | 0861 | 0952 |
| 0123 | 0233 | | 0436.1 | 0709 | 0815 | 0865 | 0953 |
| 0129 | 0233.1 | | 0436.2 | 0710 | 0816 | 0866 | 0954 |
| 0130 | 0240 | | 0438 | 0719 | 0817 | 0870 | 0955 |
| | 0241 | | 0439 | 0720 | 0818 | 0871 | 0960 |
| | 0242 | | 0449.1 | 0721 | 0819 | 0872 | |
| | | | 0451.1 | 0722 | 0825 | 0873 | |
| | | | 0459.1 | 0723 | 0826 | 0874 | |
| | | | 0461 | 0724 | 0830 | 0880 | |
| | | | 0462 | 0725 | 0831 | 0881 | |
| | | | 0463 | 0726 | 0832 | 0882 | |
| | | | 0464 | 0727 | 0833 | 0885 | |
| | | | 0465 | 0728 | 0834 | 0886 | |
| | | | 0466 | 0730 | 0840 | 0887 | |
| | | | 0469 | 0740 | 0841 | | |
| | | | 0474 | | 0842 | | |
| | | | 0475 | | 0843 | | |
| | | | 0476 | | 0845 | | |
| | | | 0481 | | 0846 | | |
| | | | 0482 | | 0847 | | |
| | | | 0483 | | 0848 | | |
| | | | 0484 | | 0849 | | |
| | | | 0485 | | 0850 | | |
| | | | | | 0851 | | |
| | | | | | 0852 | | |

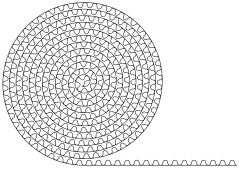
COMMERCIAL ROLLS AND SHEETS



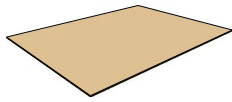
0100



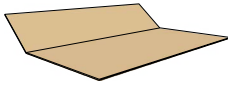
0100



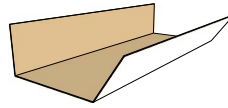
0110



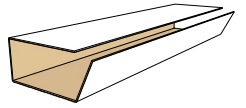
0111
NEW



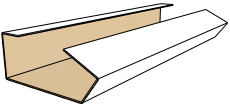
0112
NEW



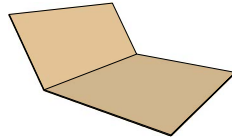
0113
NEW



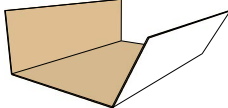
0119
NEW



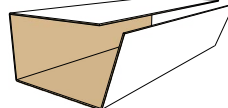
0121
NEW



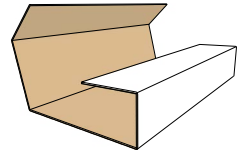
0122
NEW



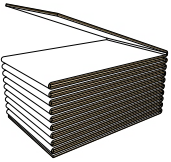
0123
NEW



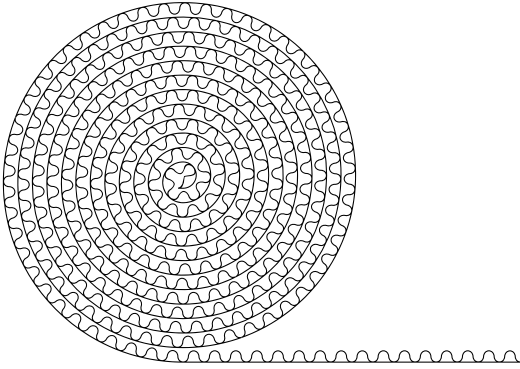
0129
NEW



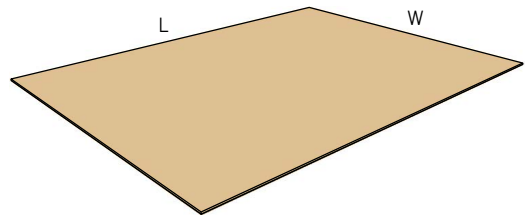
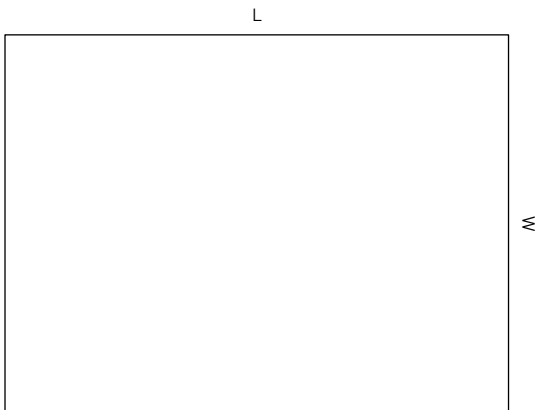
0130
NEW



0100

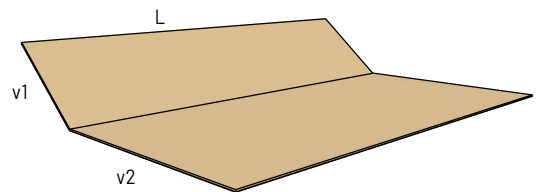
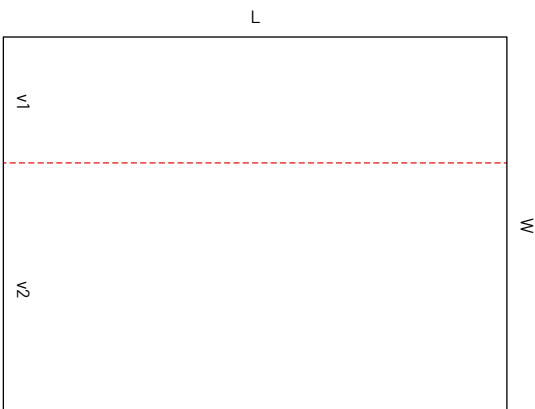


0110



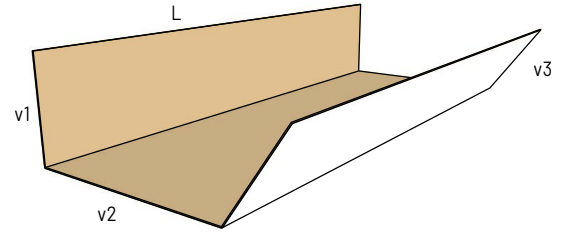
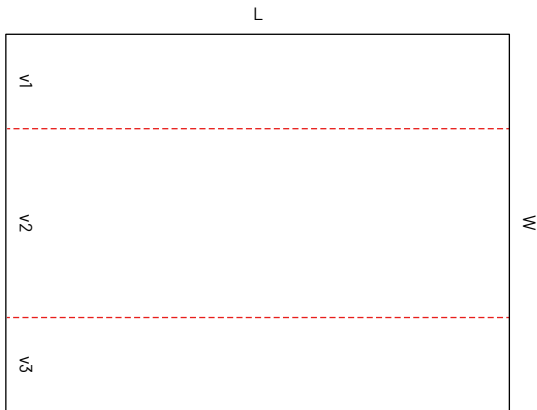
0111

NEW



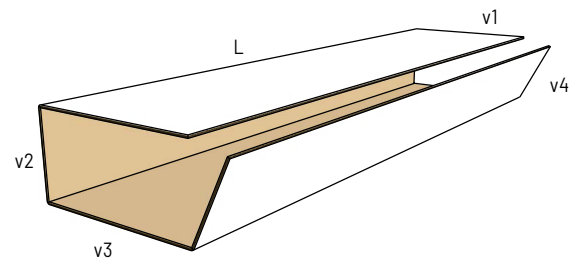
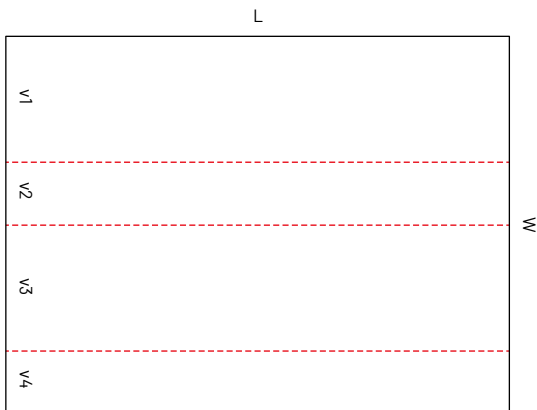
0112

NEW



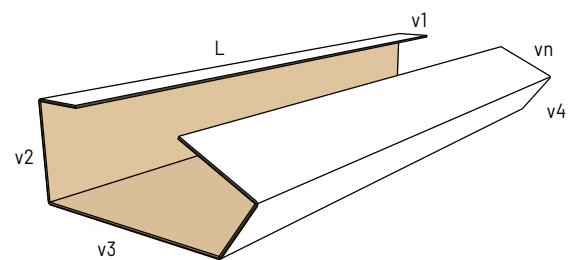
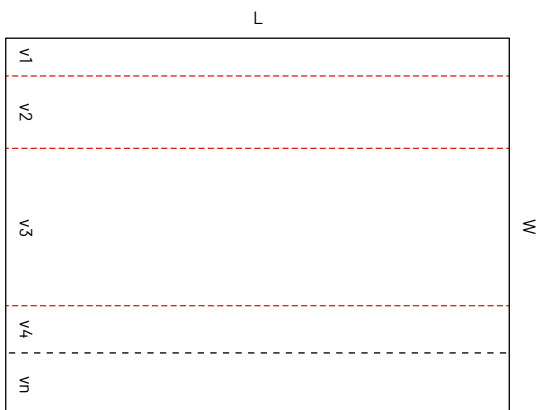
0113

NEW



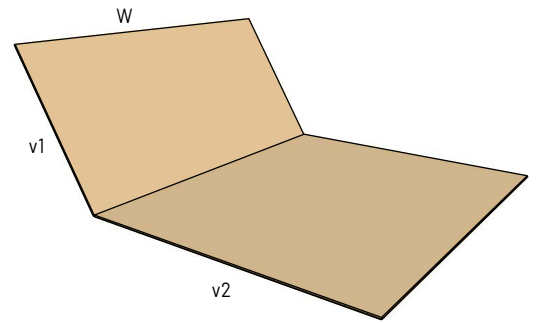
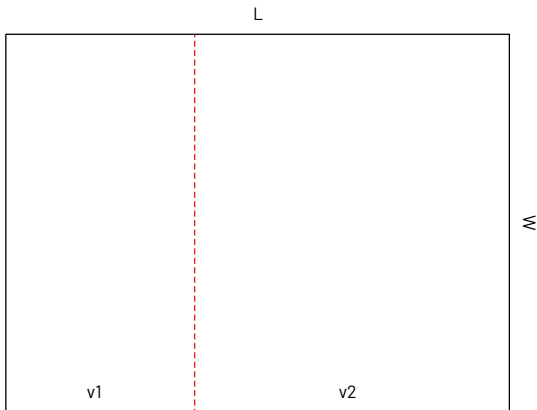
0119

NEW



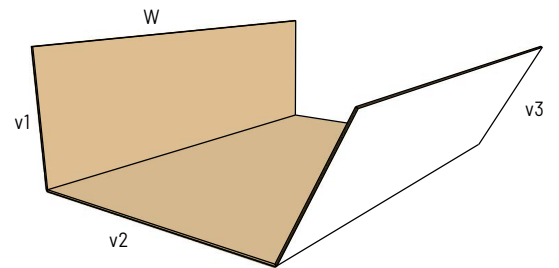
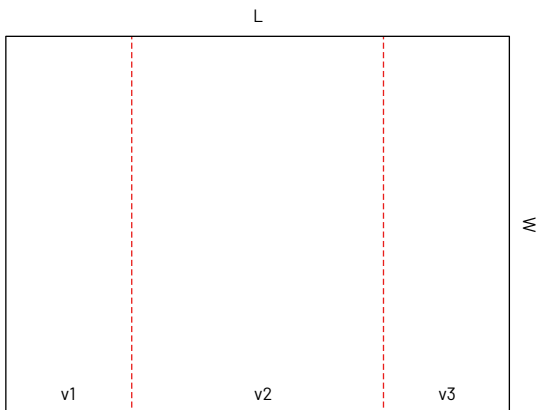
0121

NEW



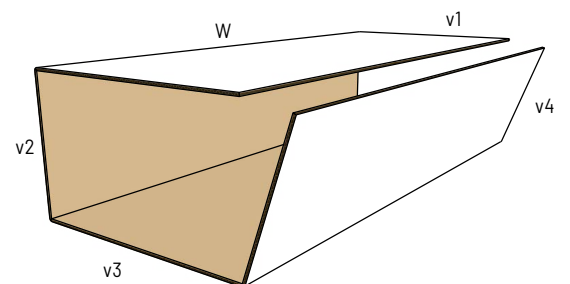
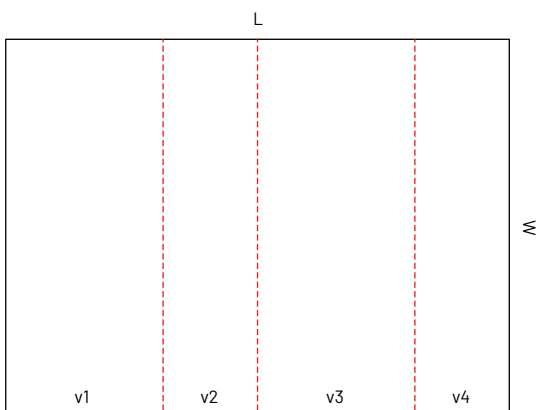
0122

NEW



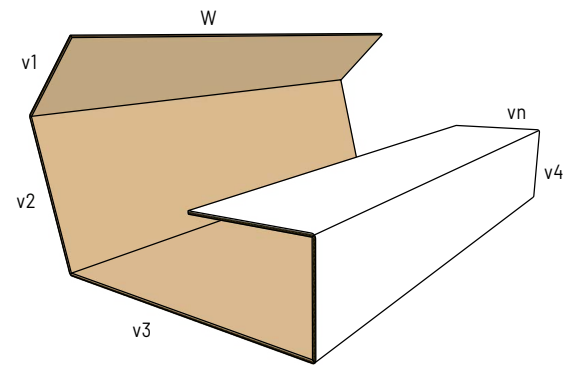
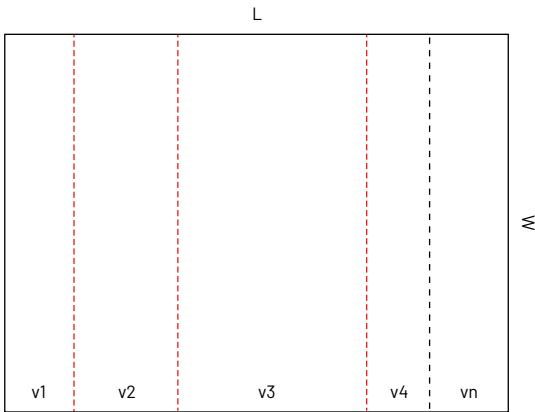
0123

NEW



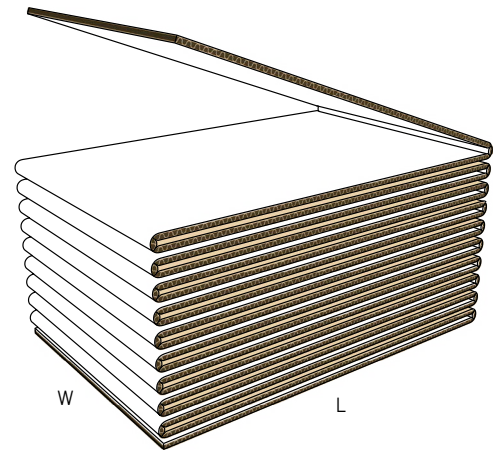
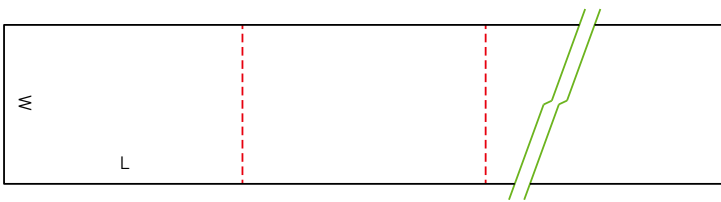
0129

NEW



0130

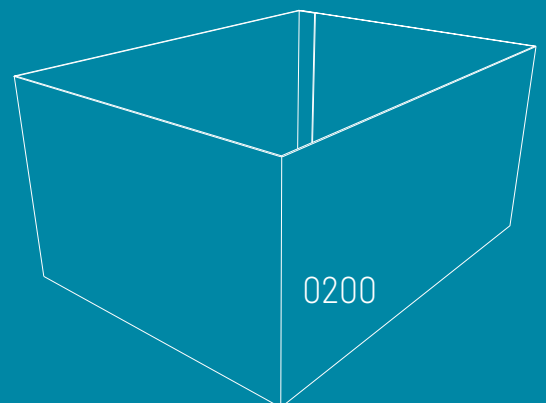
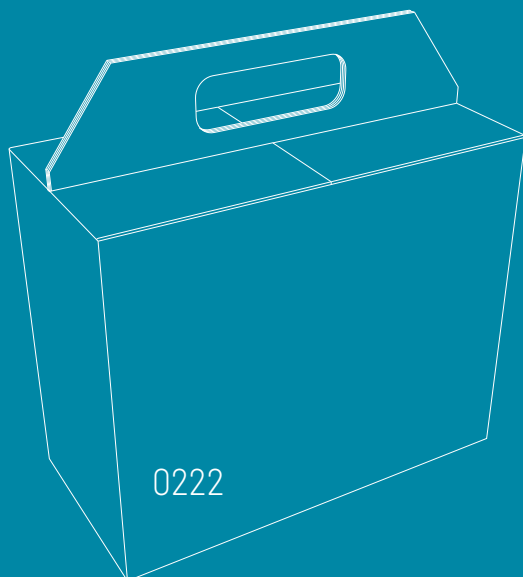
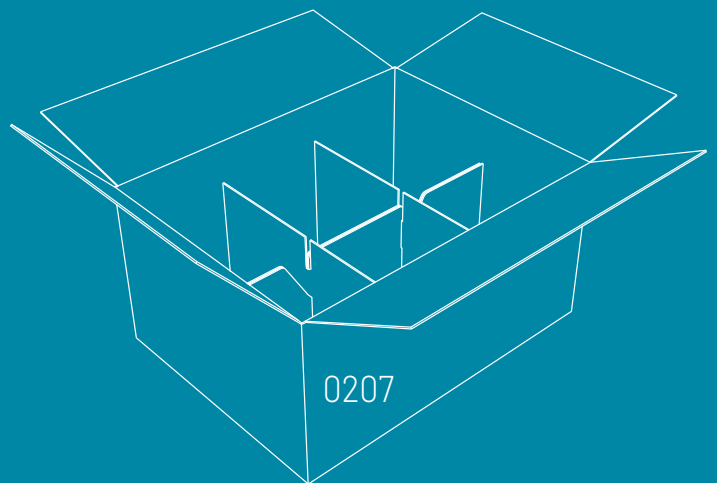
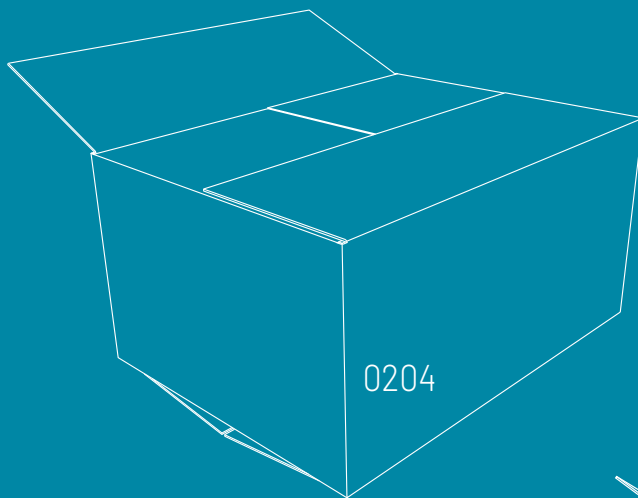
NEW



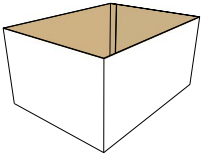
SLOTTED BOXES

Slotted boxes consist of basically one piece with a glued, stitched or taped manufacturers joint and top and bottom flaps.

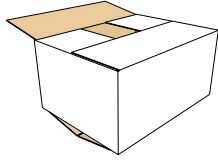
They are shipped flat, ready to use and require closing using the flaps provided.



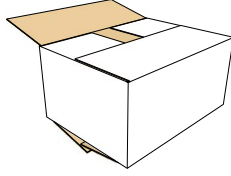
0200 M/A



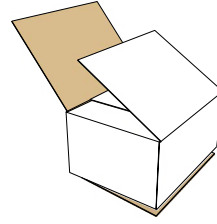
0201 M/A



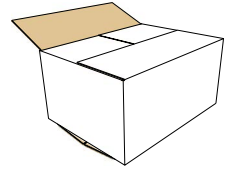
0202 M/A



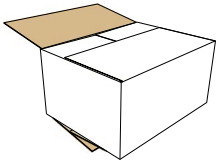
0203 M/A



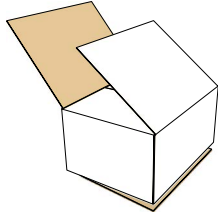
0204 M/A



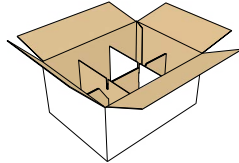
0205 M/A



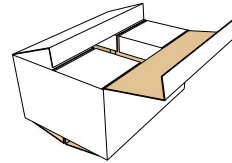
0206 M/A



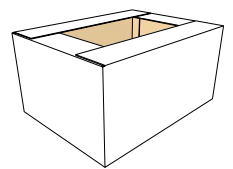
0207 M



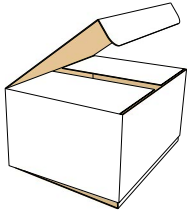
0208 M



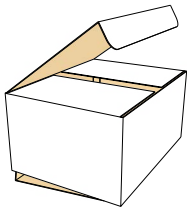
0209 M/A



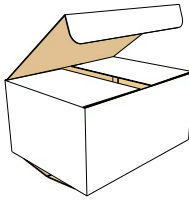
0210 M



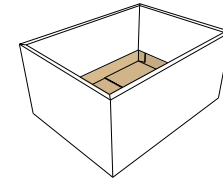
0211 M



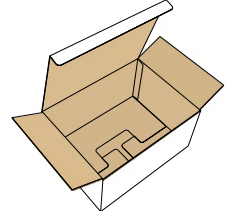
0212 M/A



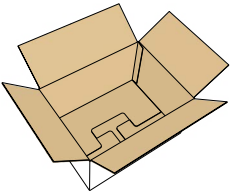
0214 M



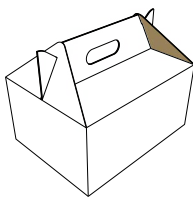
0215 M



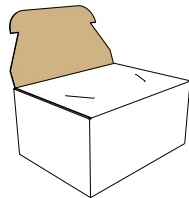
0216 M



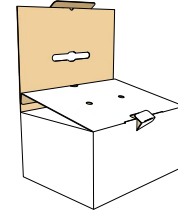
0217 M



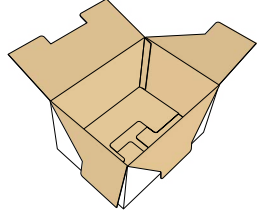
0218 M



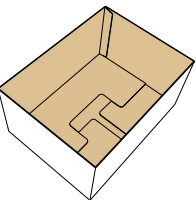
0219 M
NEW



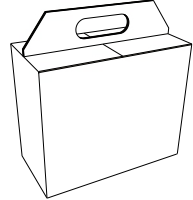
0220 M
NEW



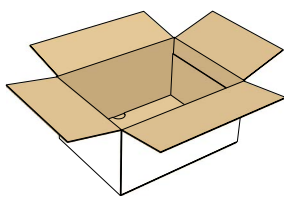
0221 M
NEW



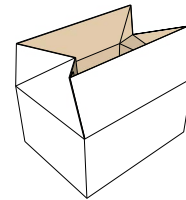
0222 M
NEW



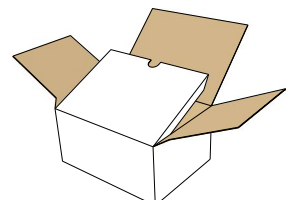
0225 M



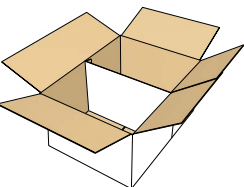
0226 M



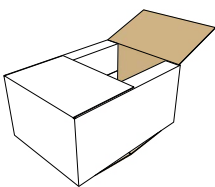
0227 M



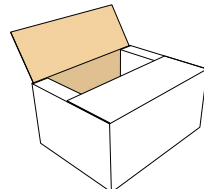
0228 M/A



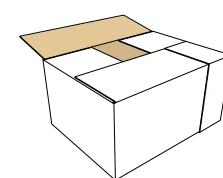
0229 M



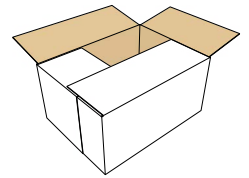
0229.1 M
NEW



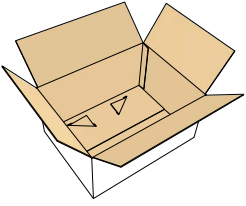
0230 M/A



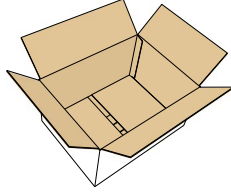
0231 M/A



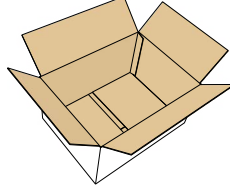
0232 M
NEW



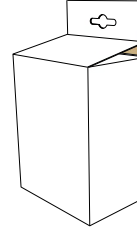
0233 M
NEW



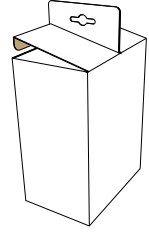
0233.1 M
NEW



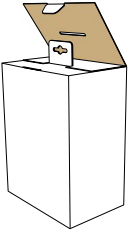
0240 M
NEW



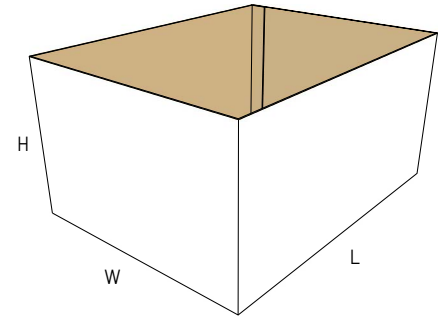
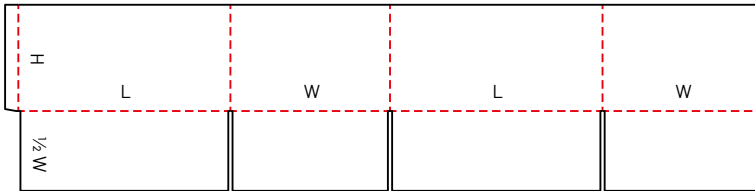
0241 M
NEW



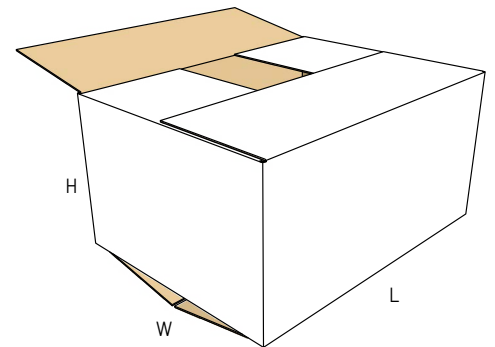
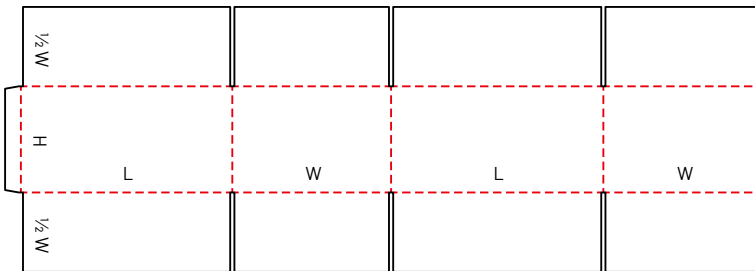
0242 M
NEW



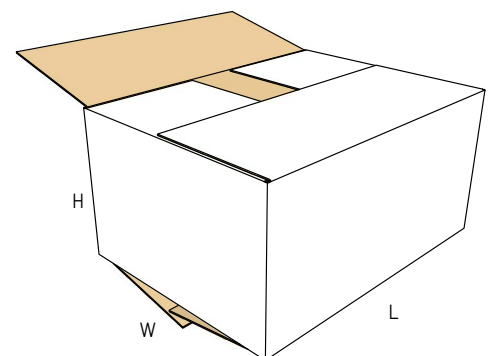
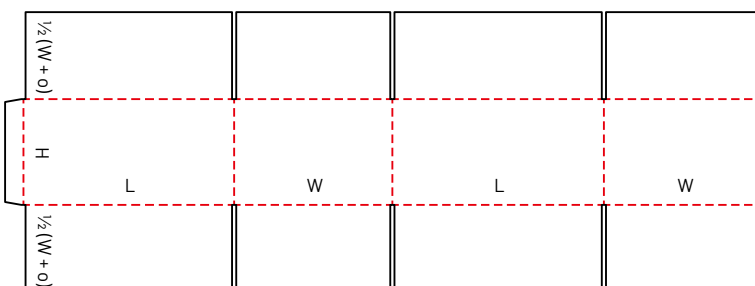
0200 M/A



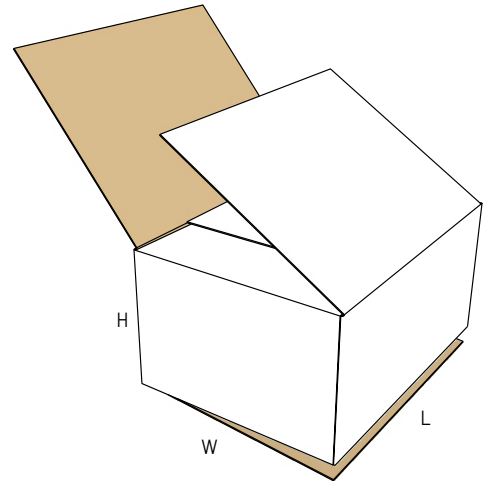
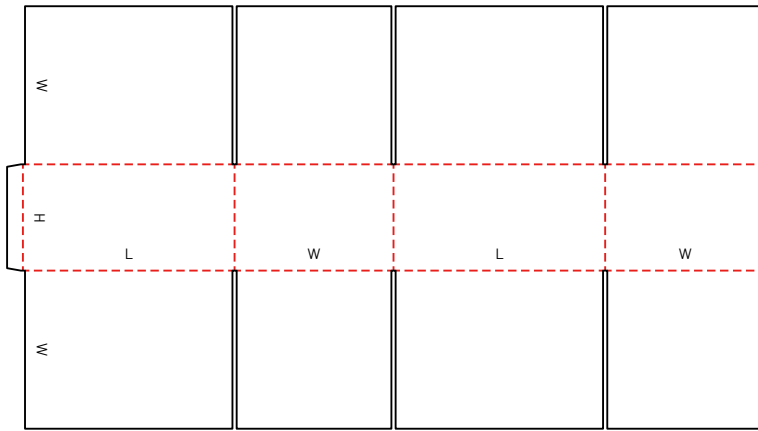
0201 M/A



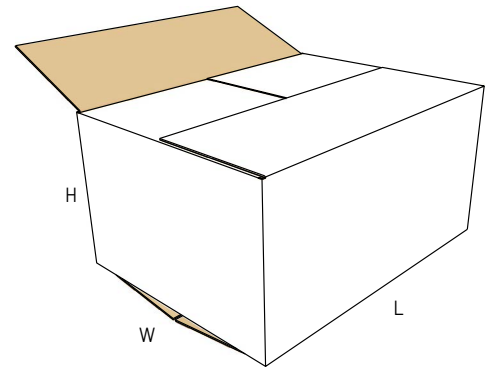
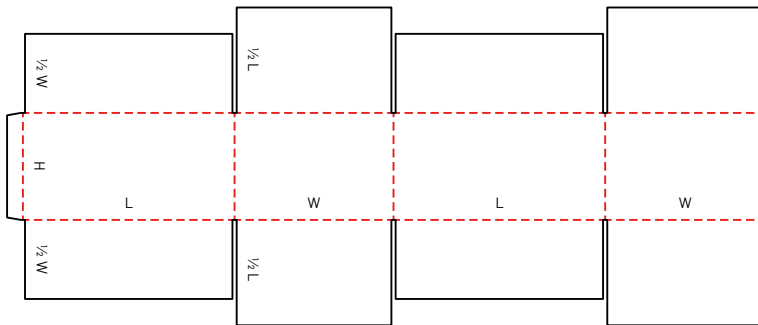
0202 M/A



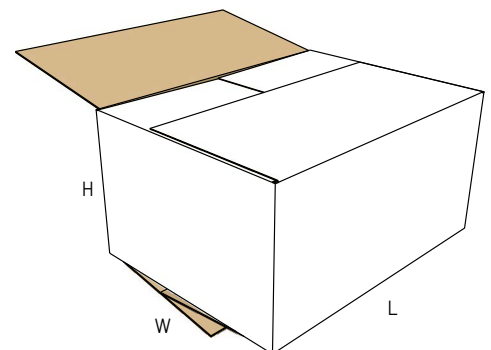
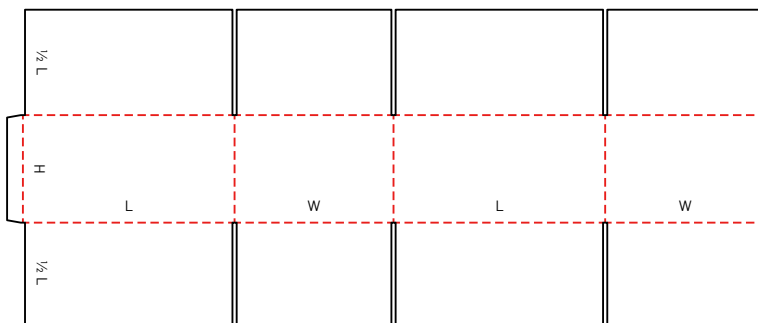
0203 M/A



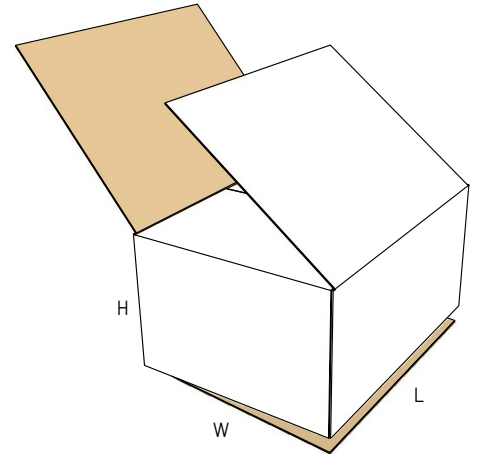
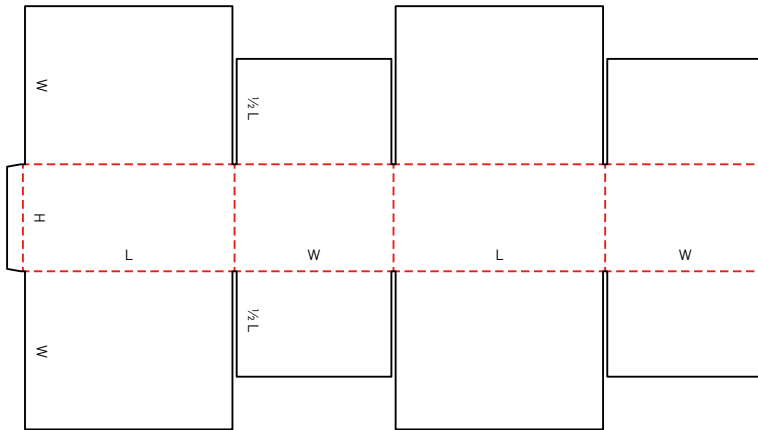
0204 M/A



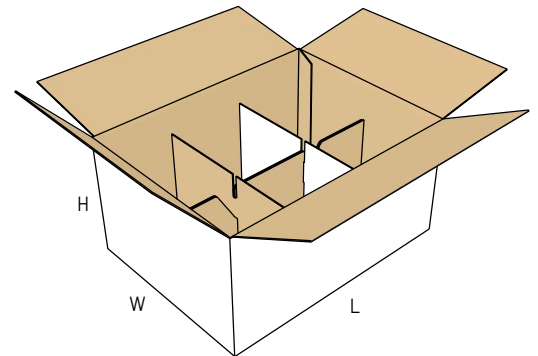
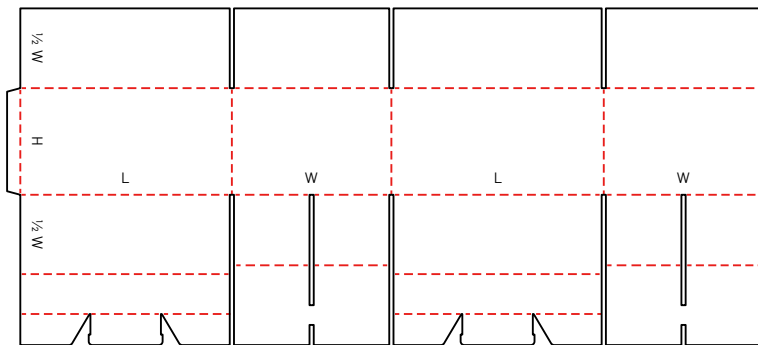
0205 M/A



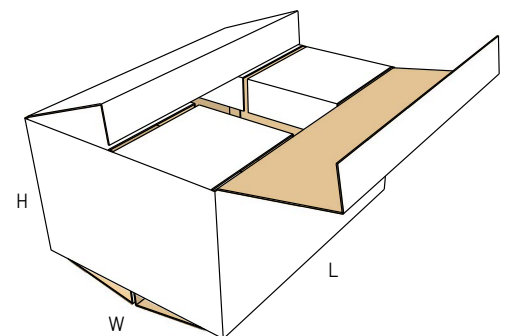
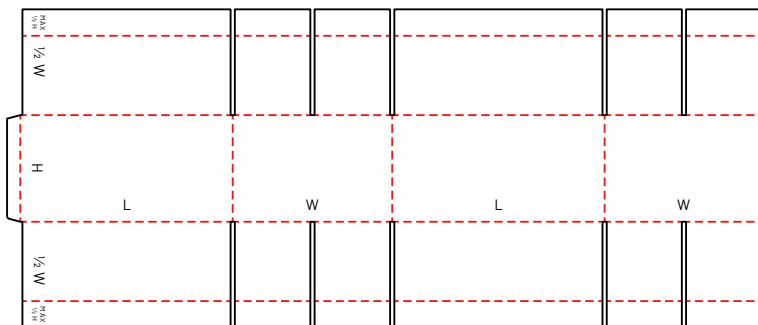
0206 M/A



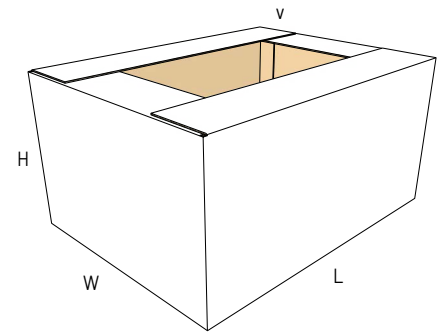
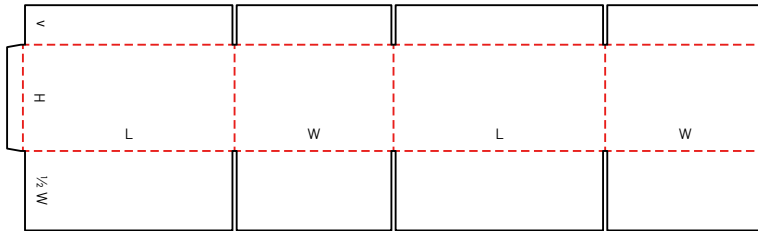
0207 M



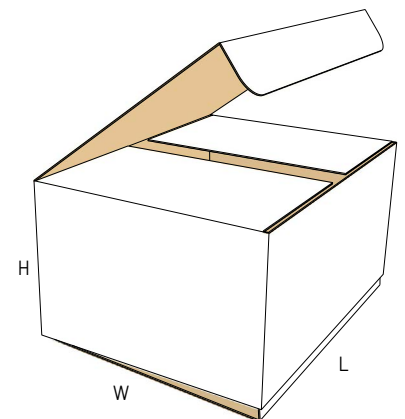
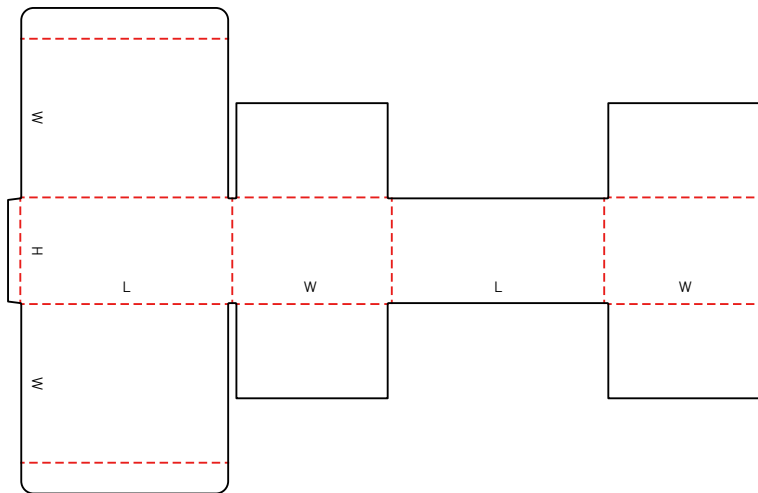
0208 M



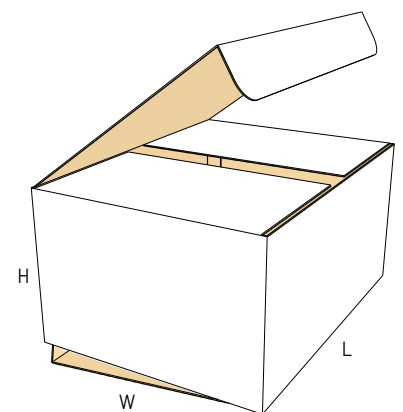
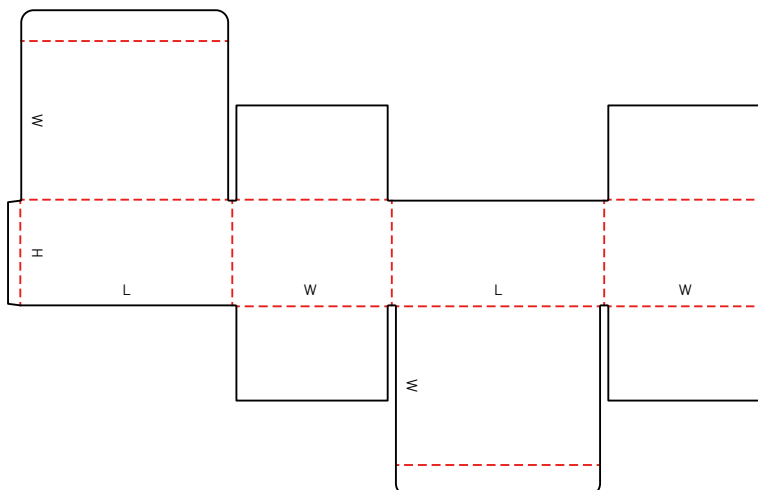
0209 M/A



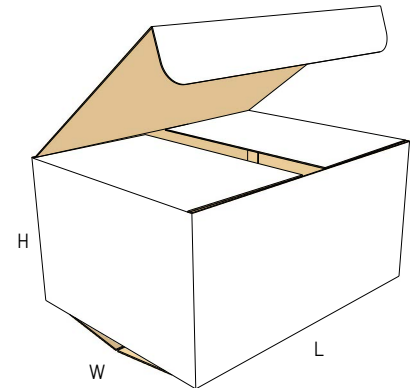
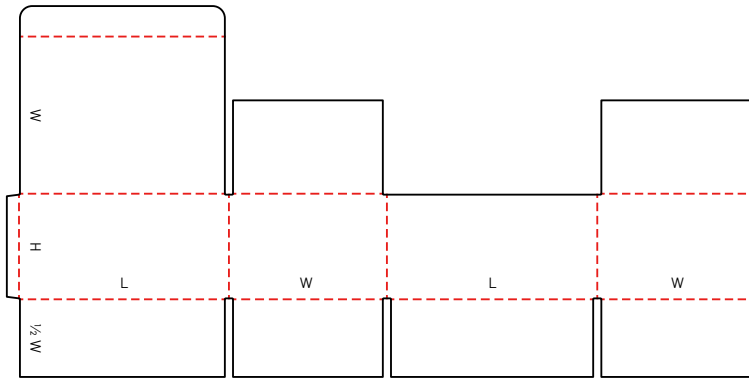
0210 M



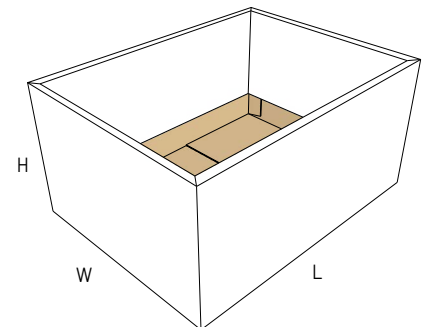
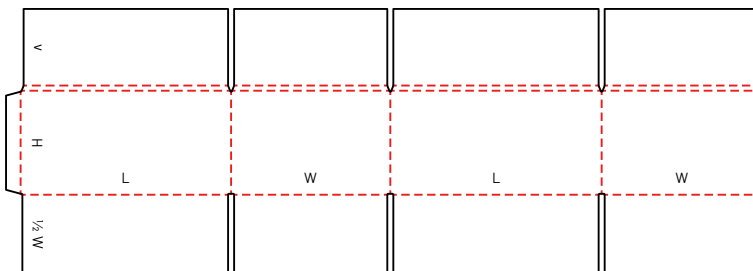
0211 M



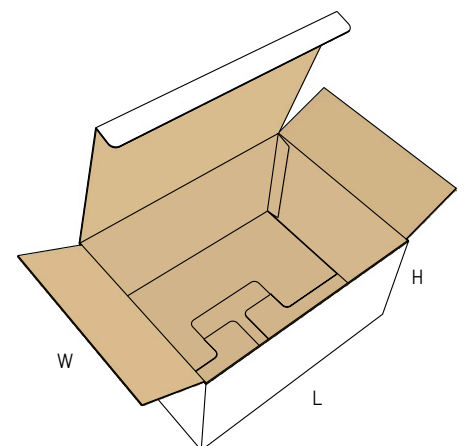
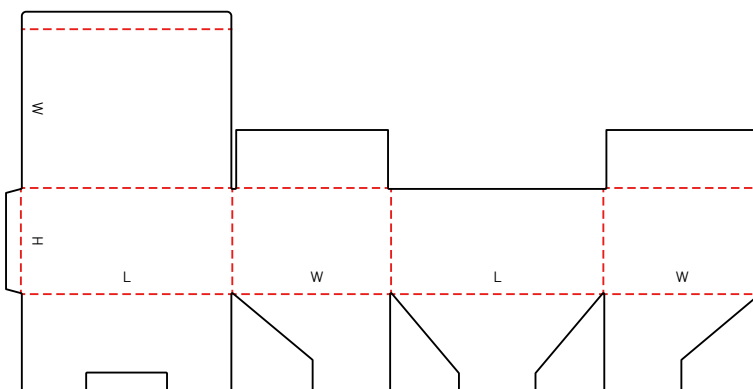
0212 M/A



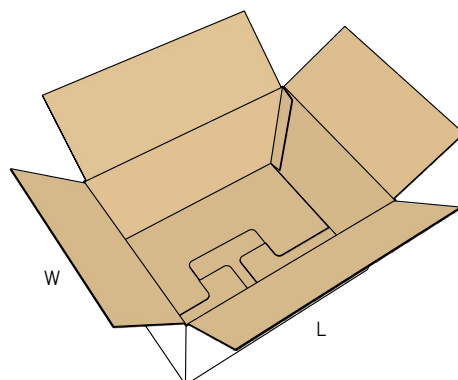
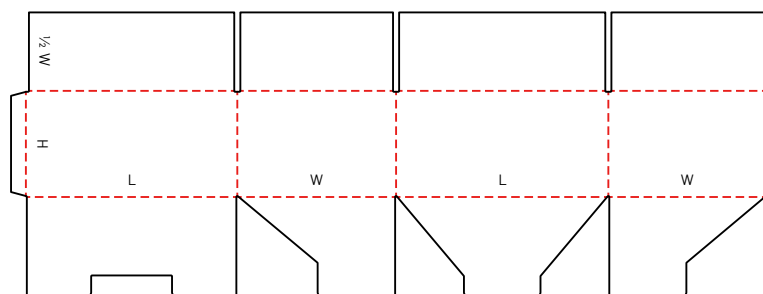
0214 M



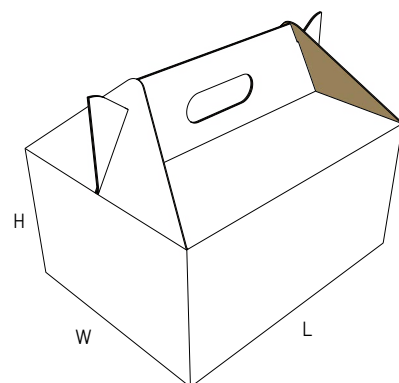
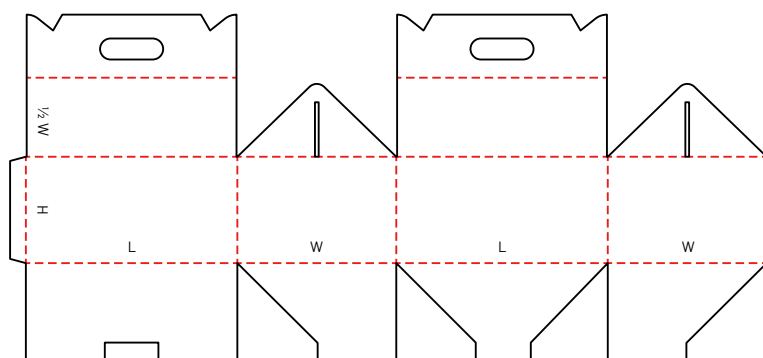
0215 M



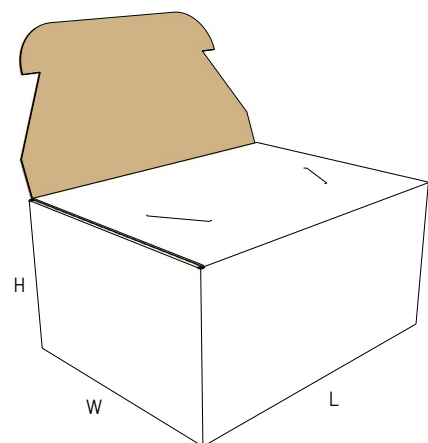
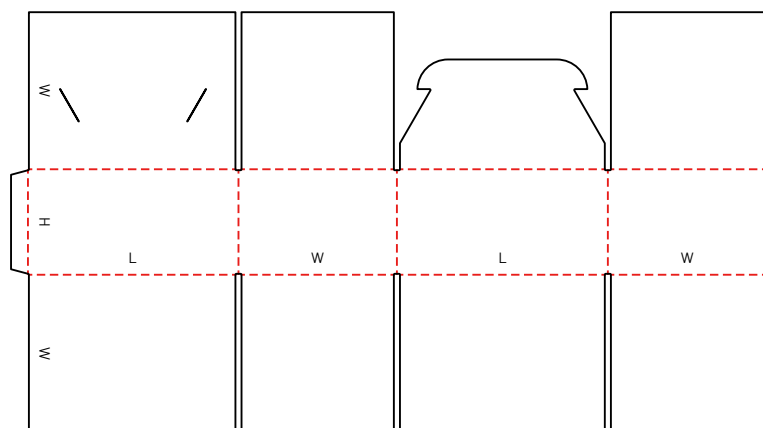
0216 M



0217 M

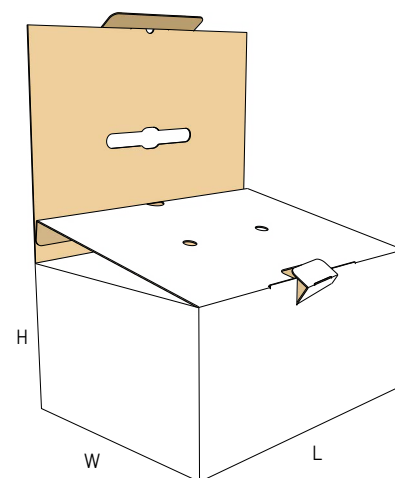
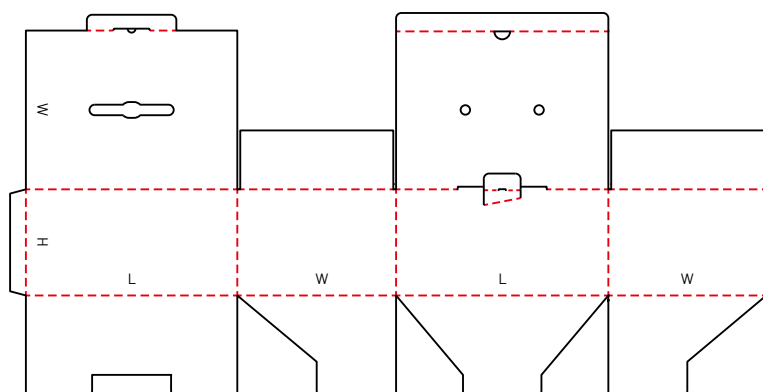


0218 M



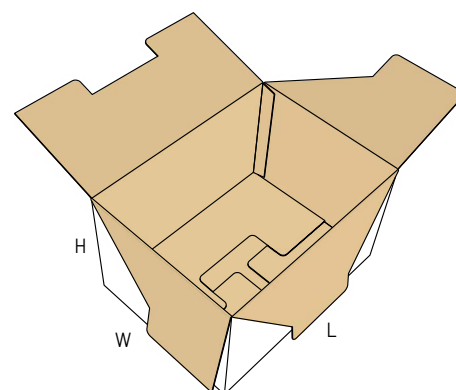
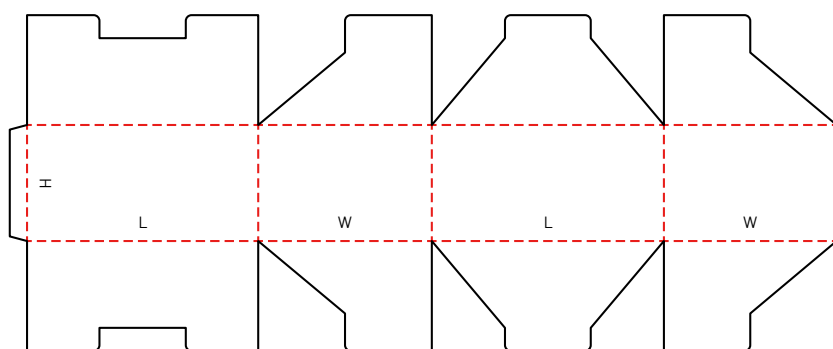
0219 M

NEW



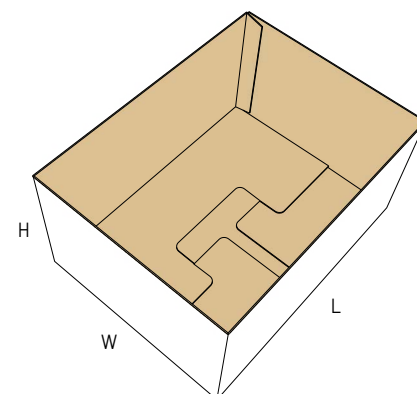
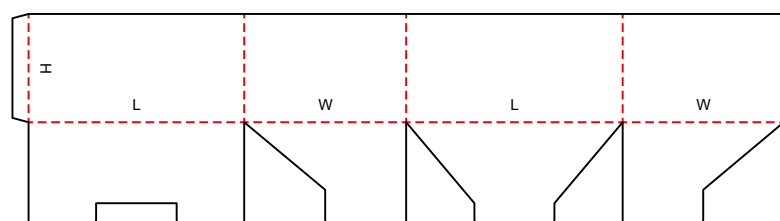
0220 M

NEW

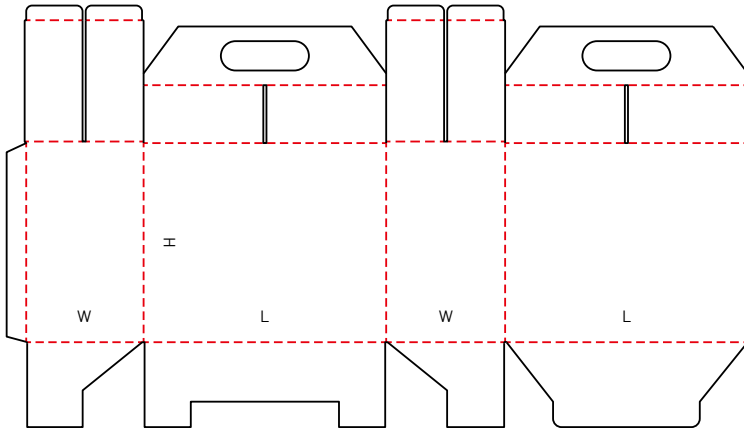


0221 M

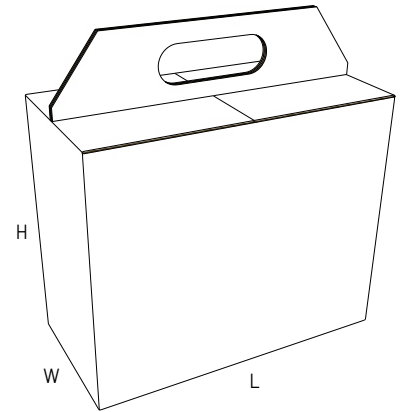
NEW



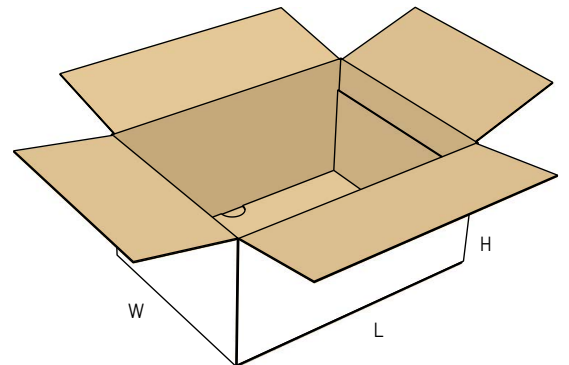
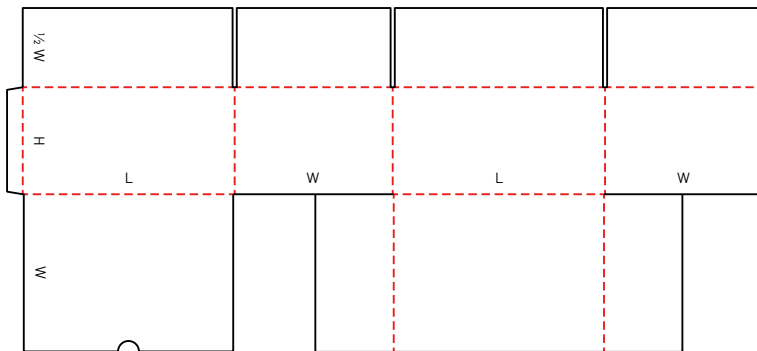
0222 M



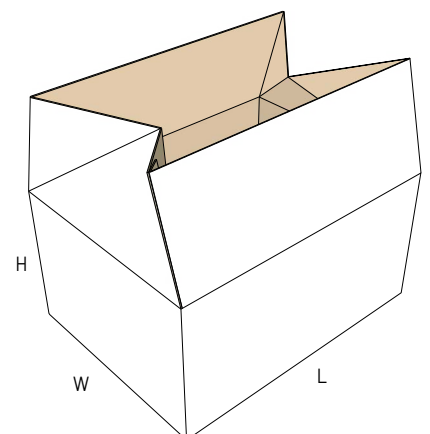
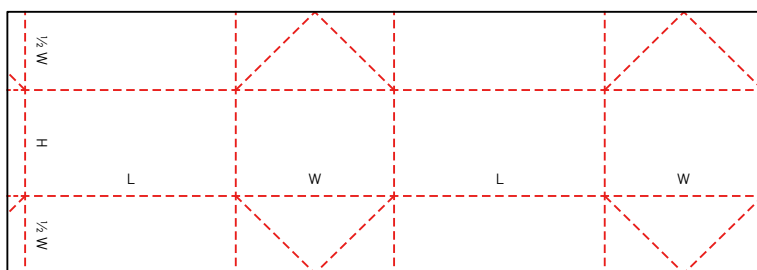
NEW



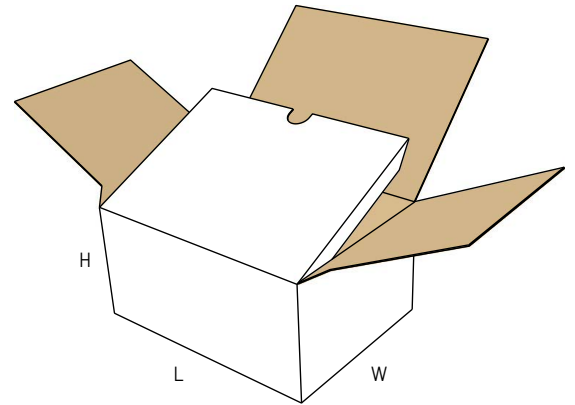
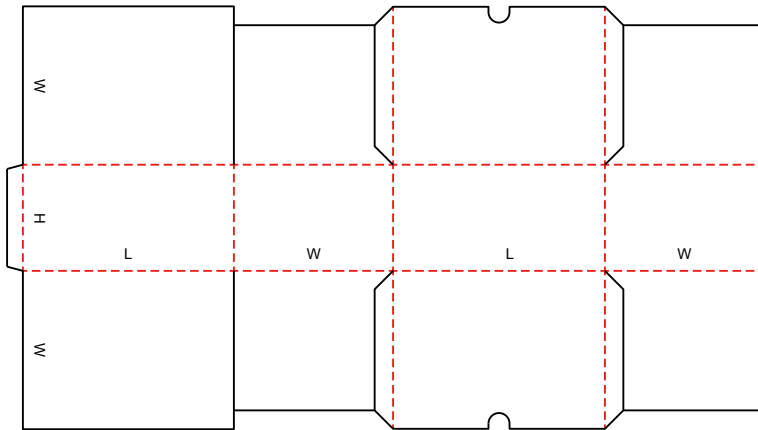
0225 M



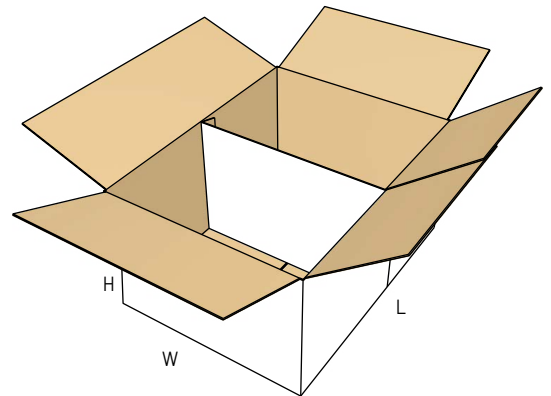
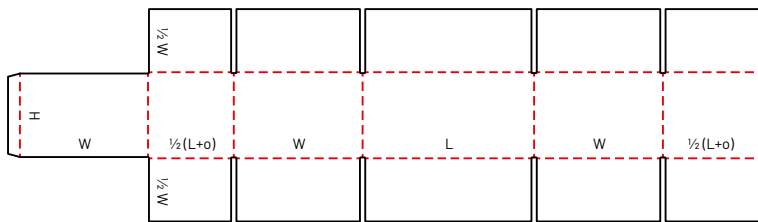
0226 M



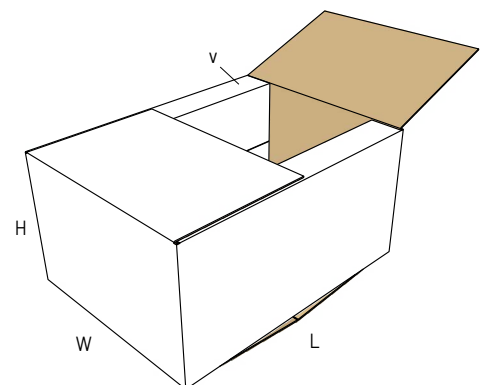
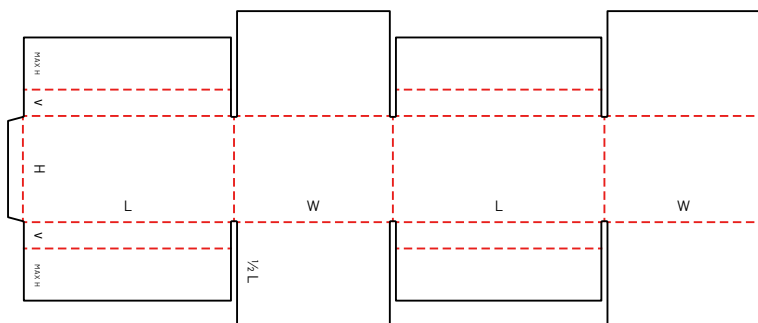
0227 M



0228 M/A

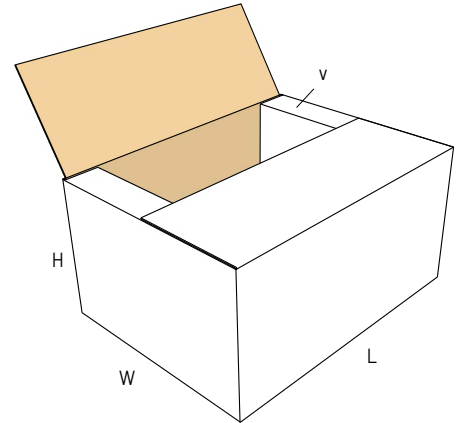
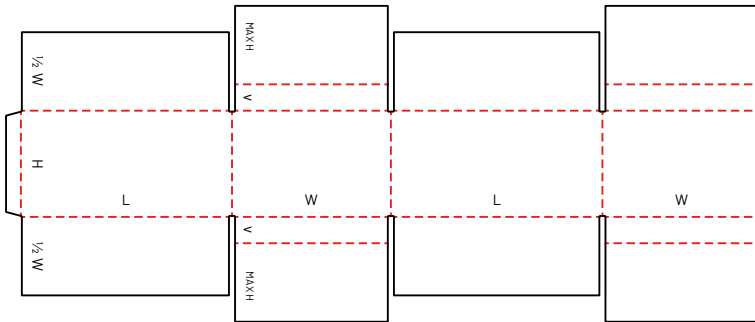


0229 M

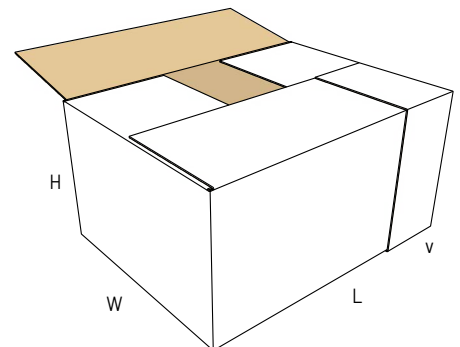
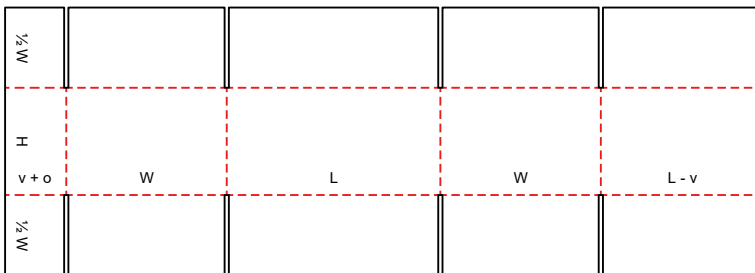


0229.1 M

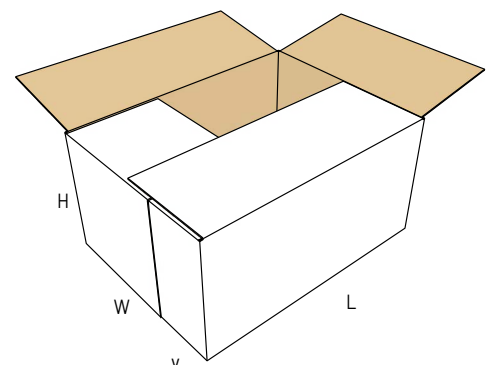
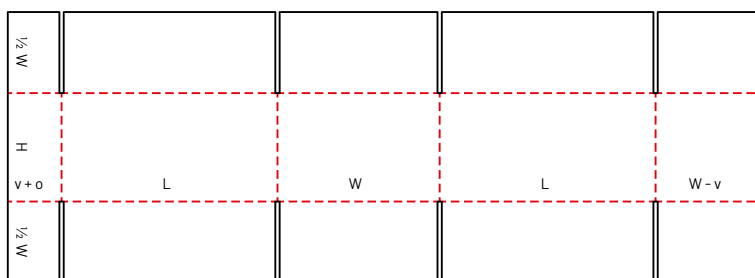
NEW



0230 M/A

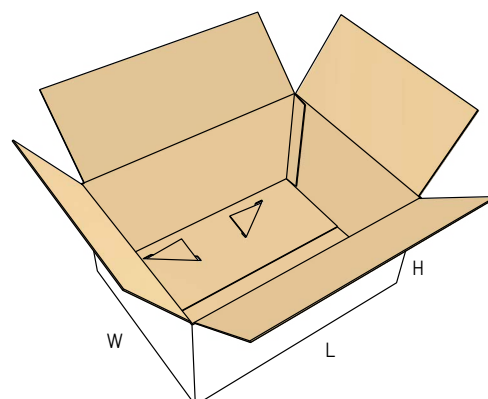
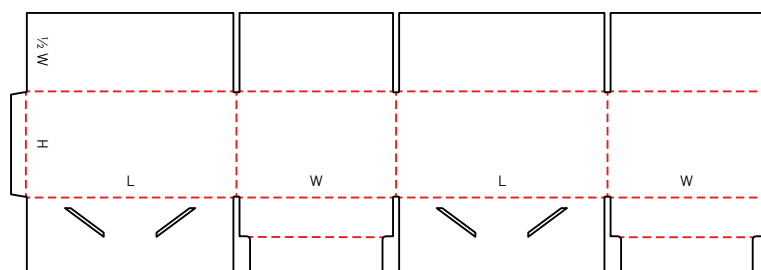


0231 M/A



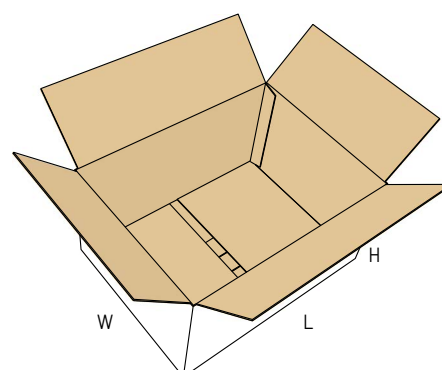
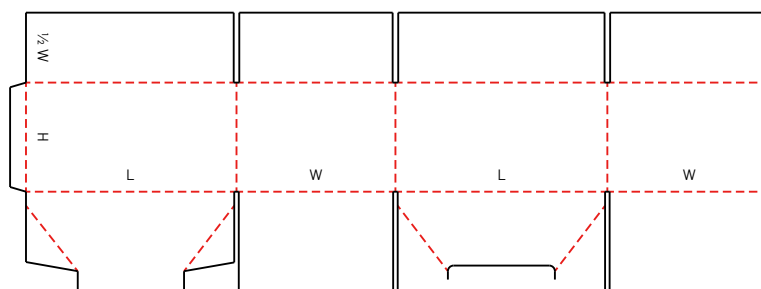
0232 M

NEW



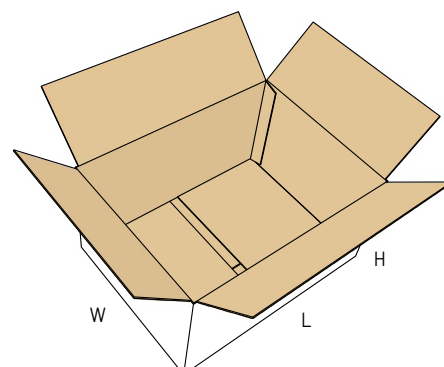
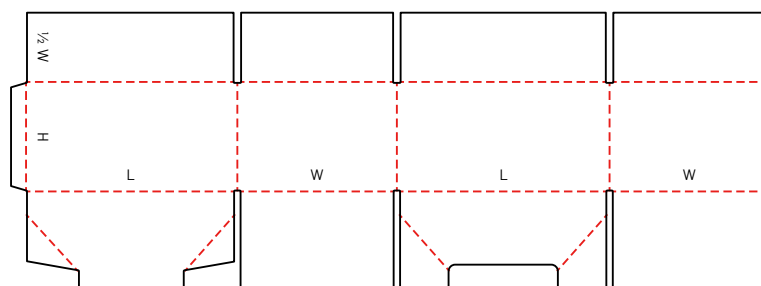
0233 M

NEW

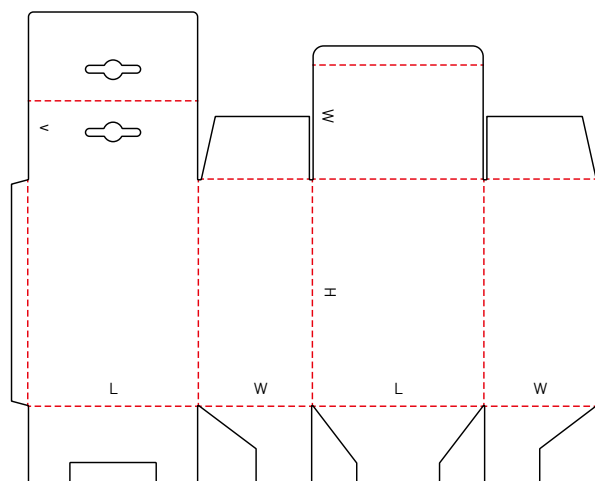


0233.1 M

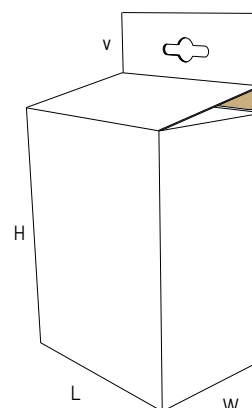
NEW



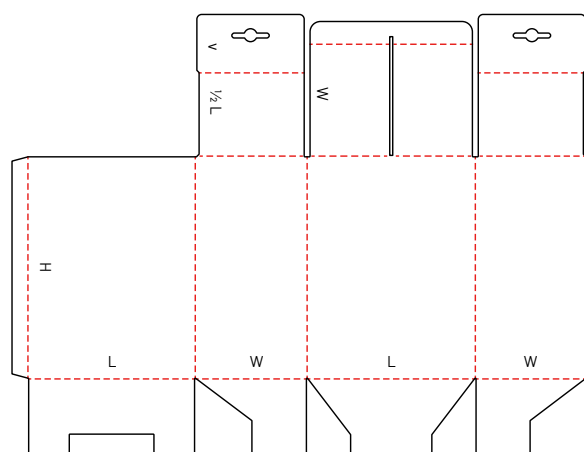
0240 M



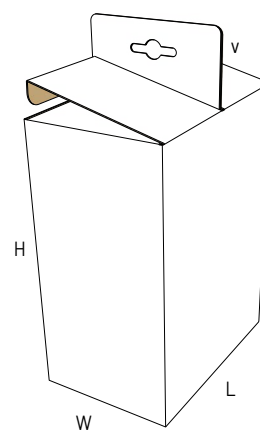
NEW



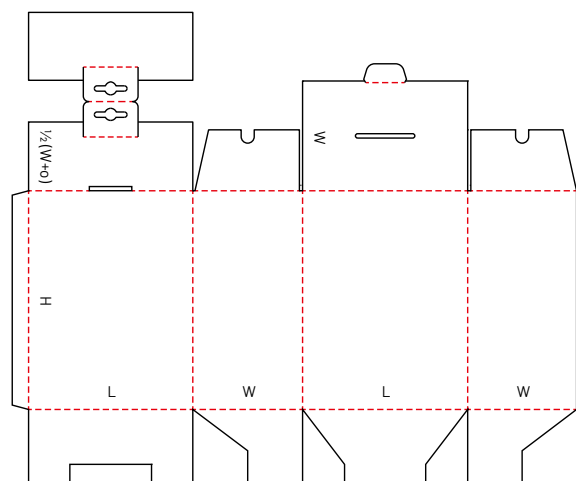
0241 M



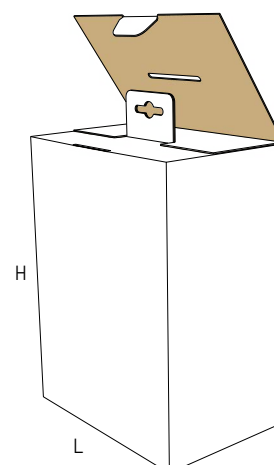
NEW



0242 M

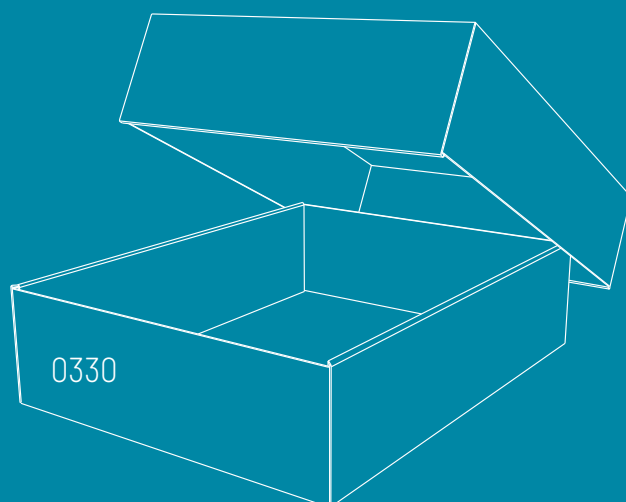
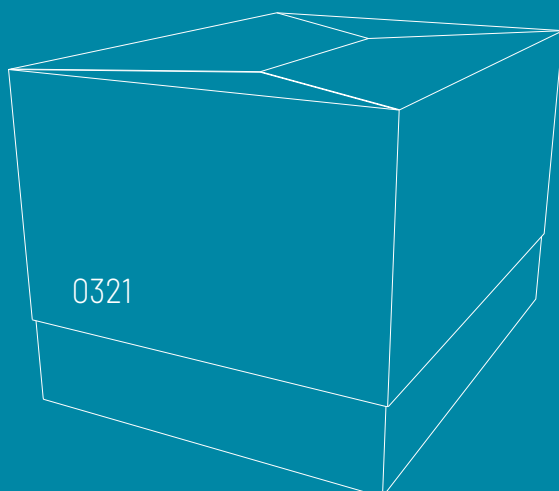
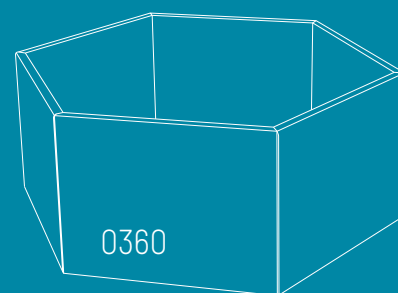
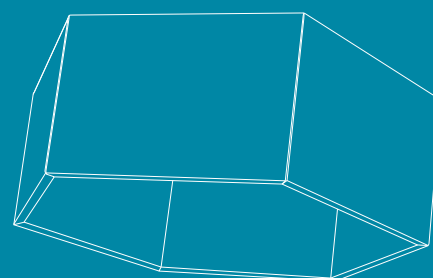
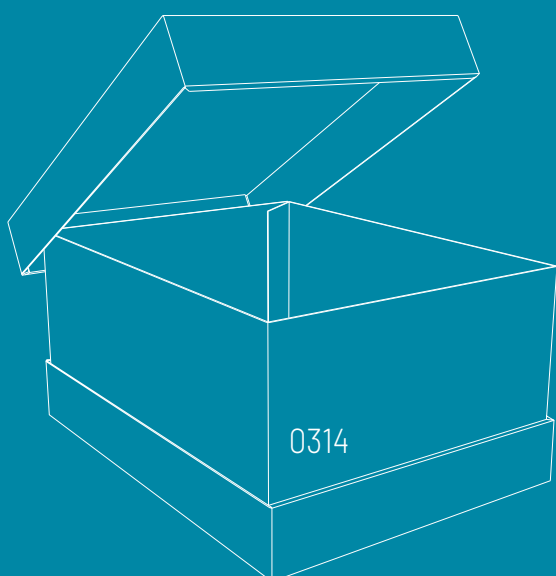


NEW

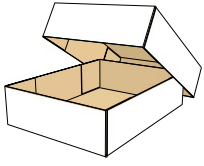


TELESCOPIC BOXES

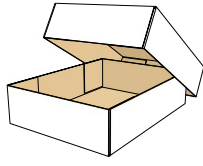
Telescopic boxes usually consist of more than one piece (e.g. top and bottom) and they fit over each other.



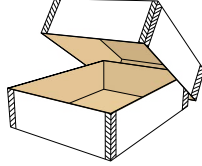
0300 M/A



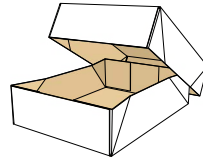
0301 M/A



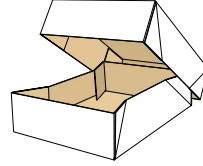
0302 M



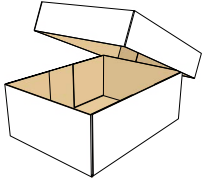
0303 M



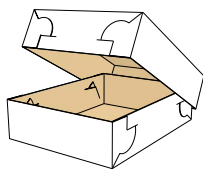
0304 M



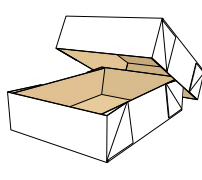
0306 M/A



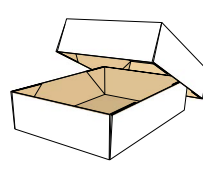
0307 M



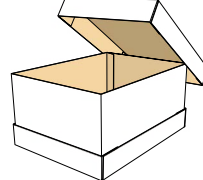
0308 M



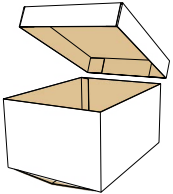
0309 M



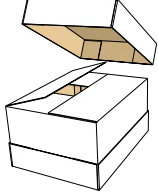
0310 M/A



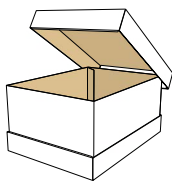
0312 M/A



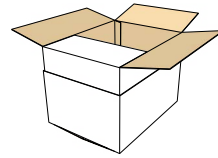
0313 M/A



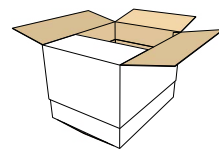
0314 M



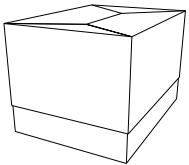
0319 M/A
NEW



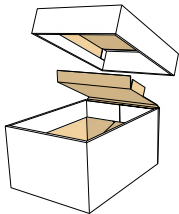
0320 M/A



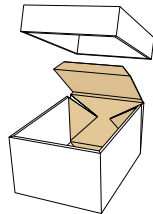
0321 M



0322 M



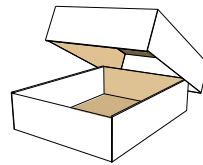
0323 M



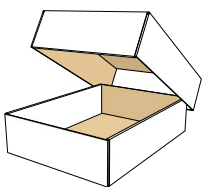
0325 M/A



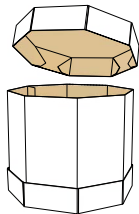
0330 M/A



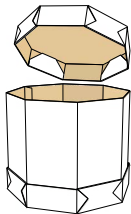
0331 M/A



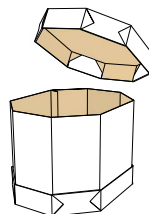
0350 A



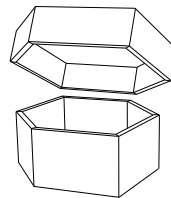
0351 M/A



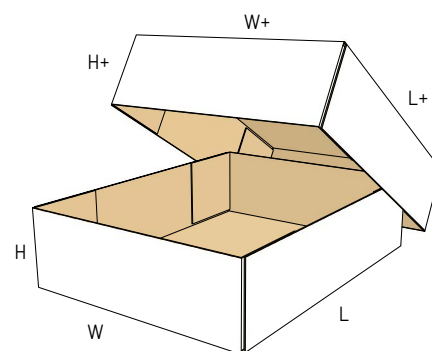
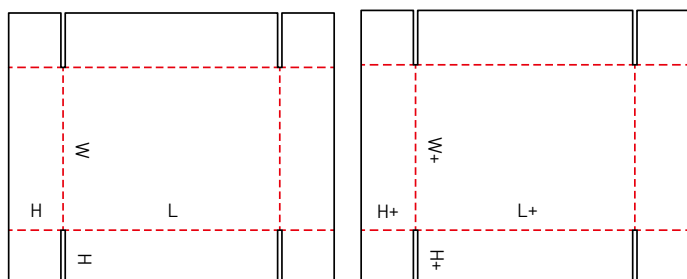
0352 M/A



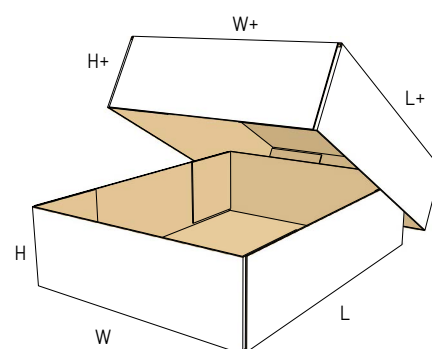
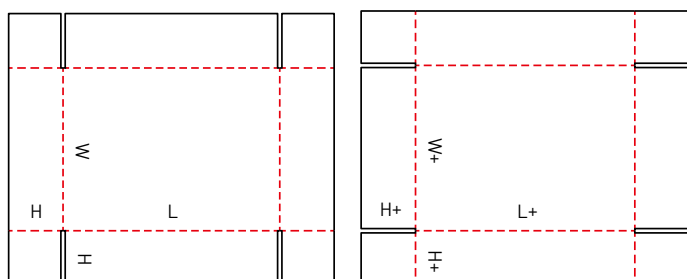
0360 M
NEW



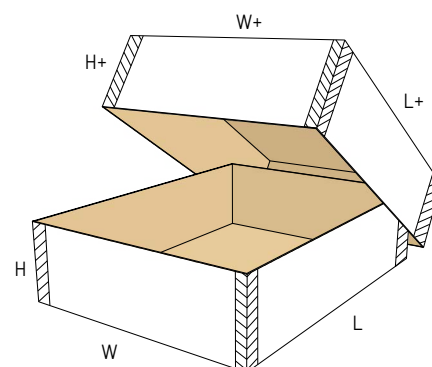
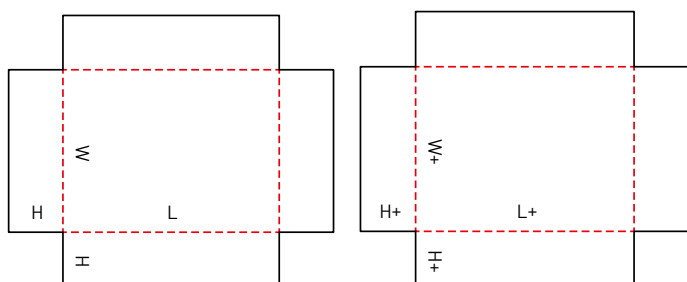
0300 M/A



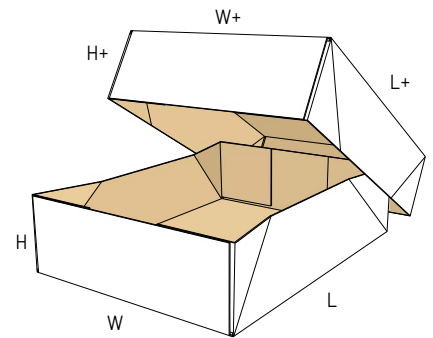
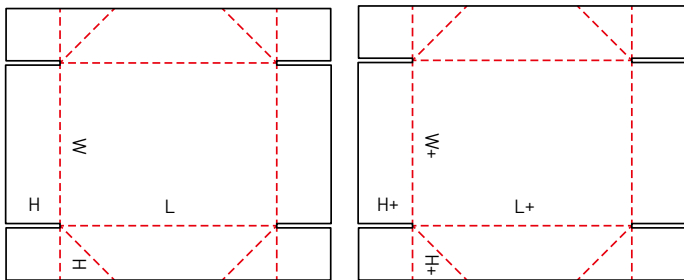
0301 M/A



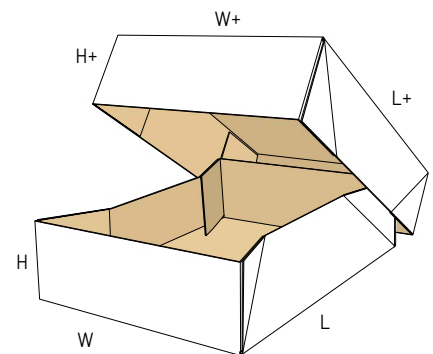
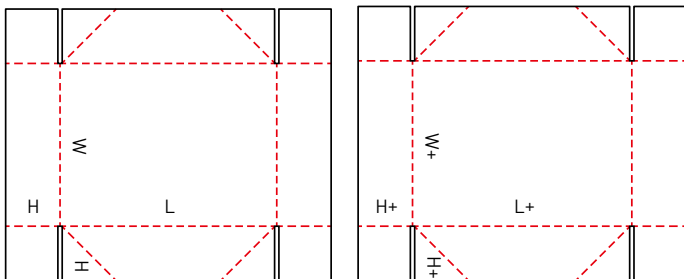
0302 M



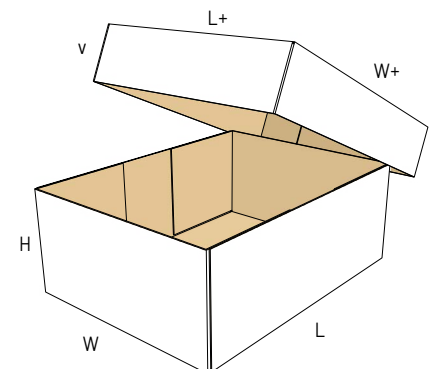
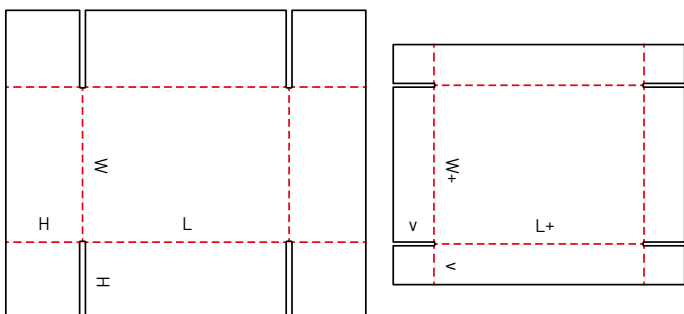
0303 M



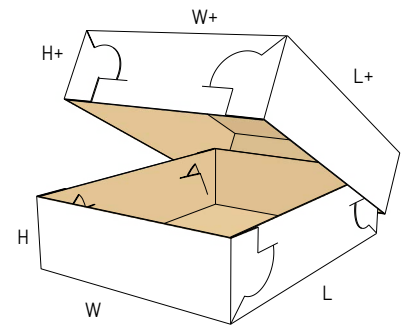
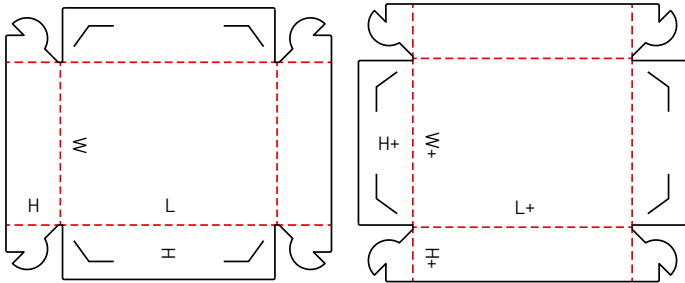
0304 M



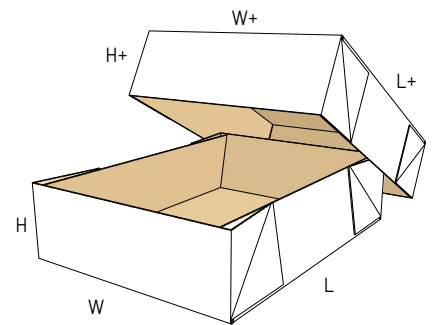
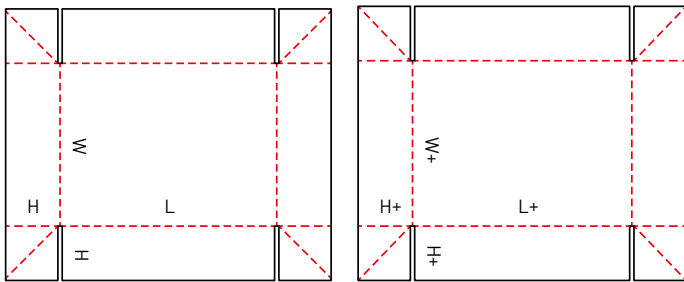
0306 M/A



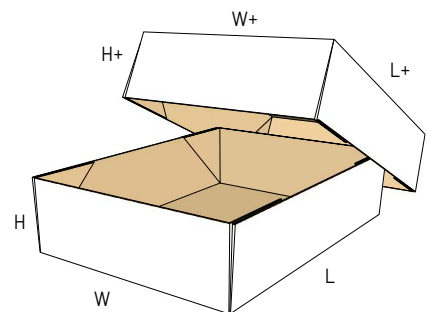
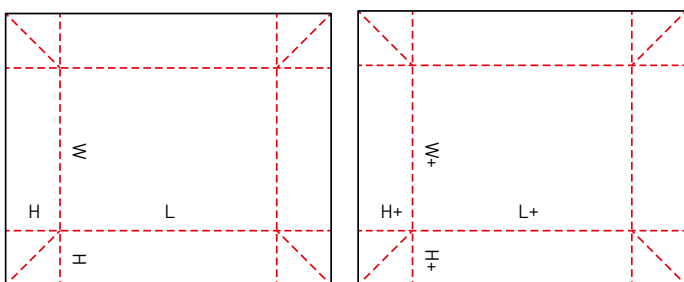
0307 M



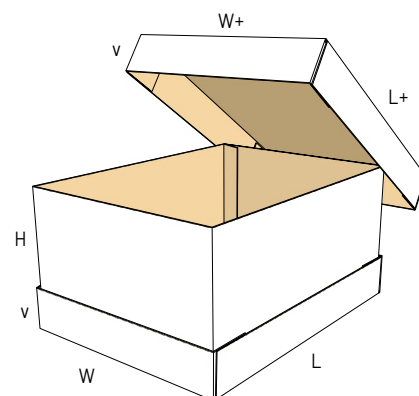
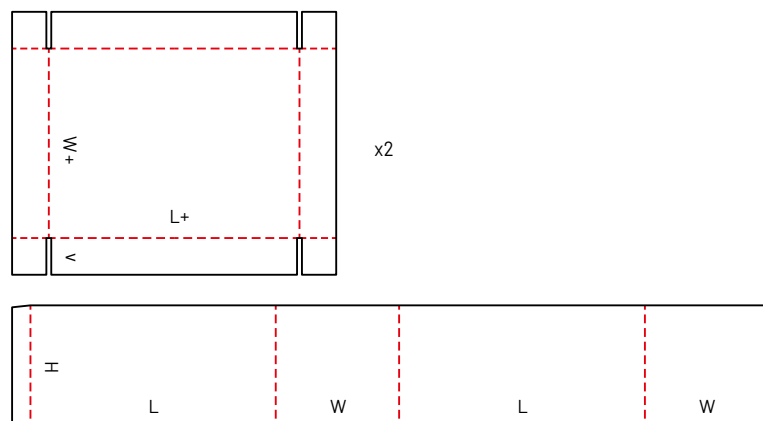
0308 M



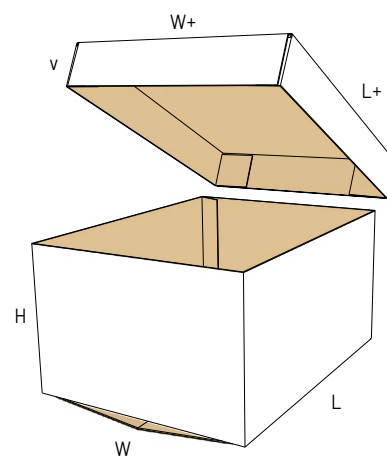
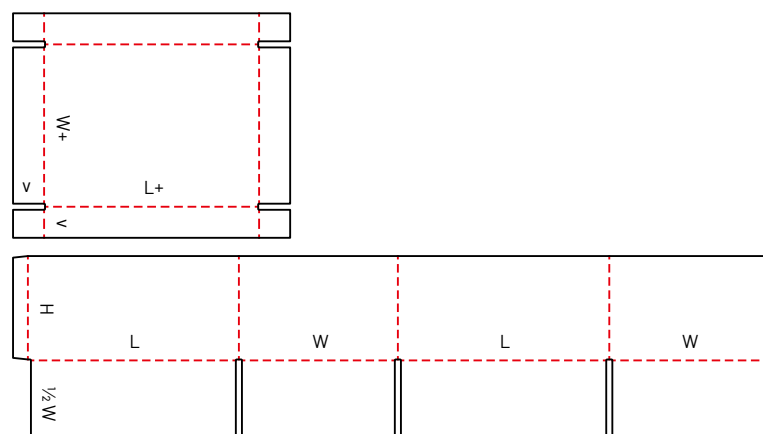
0309 M



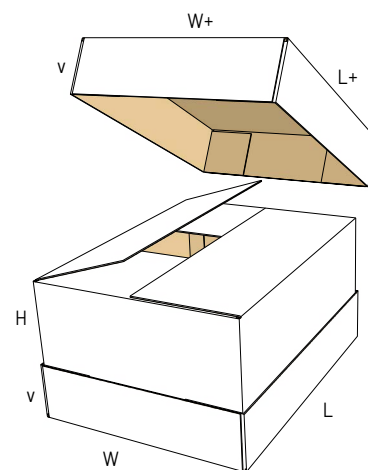
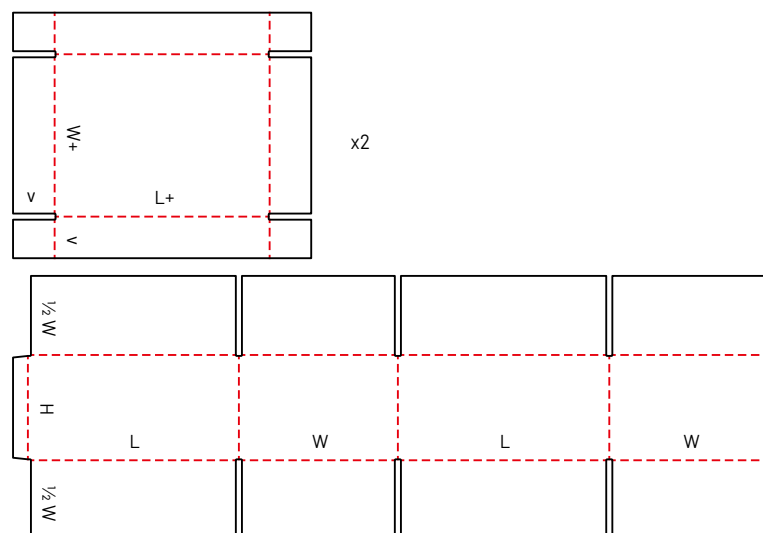
0310 M/A



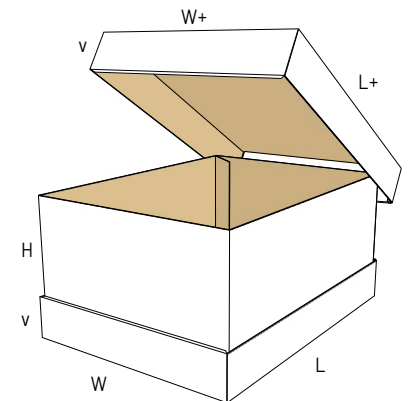
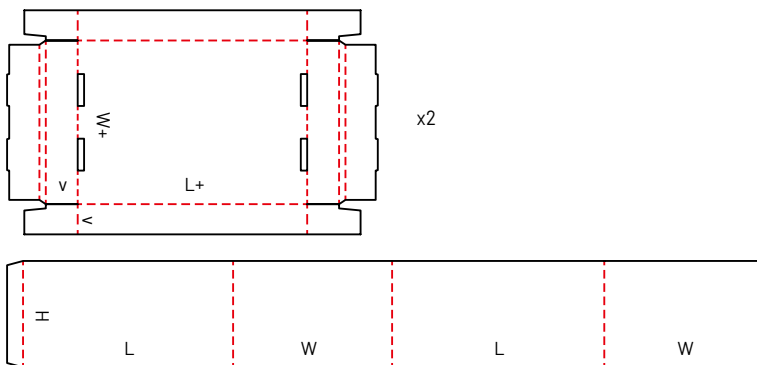
0312 M/A



0313 M/A

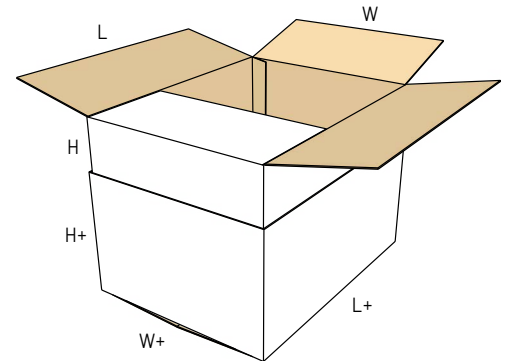
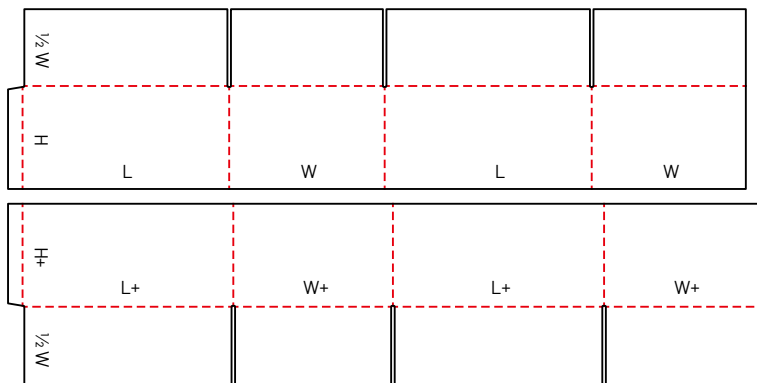


0314 M

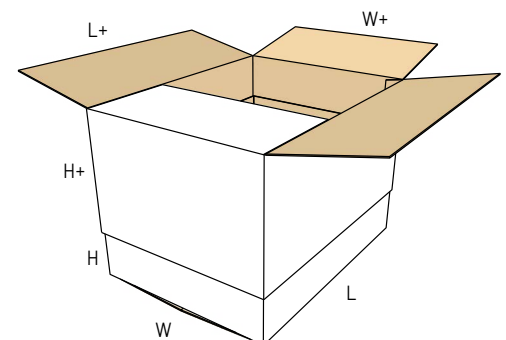
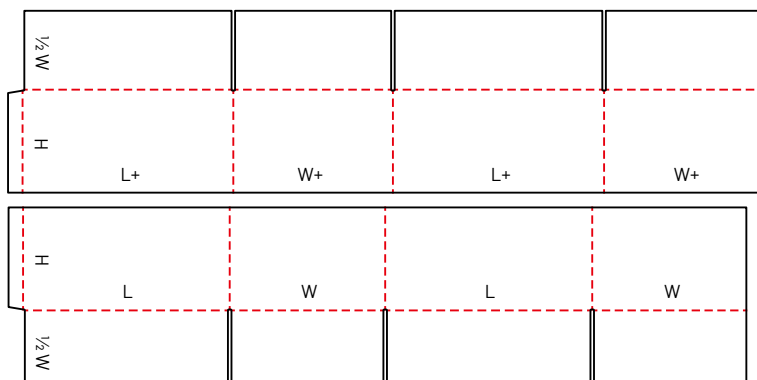


0319 M/A

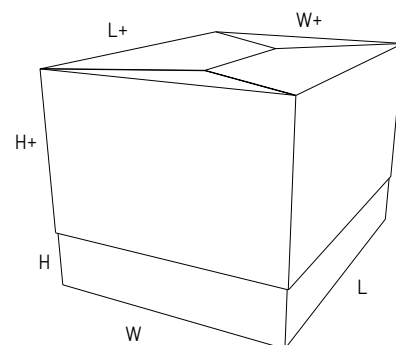
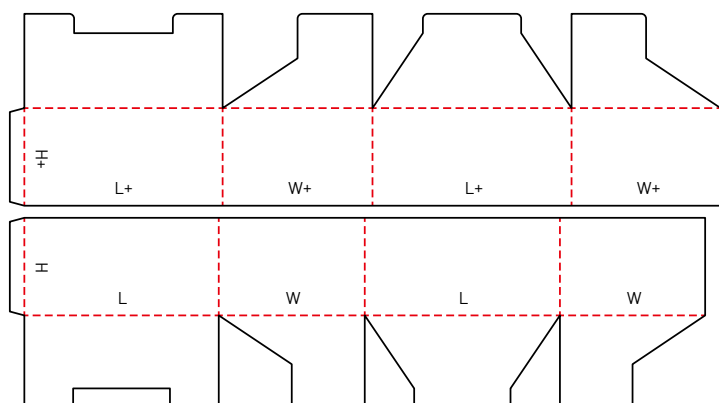
NEW



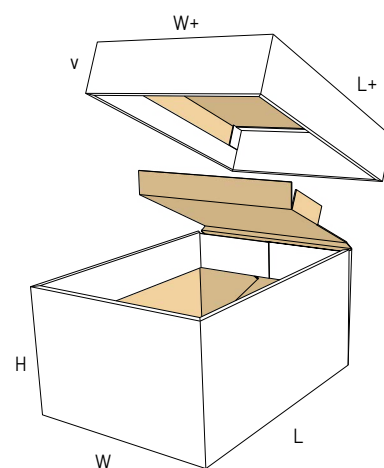
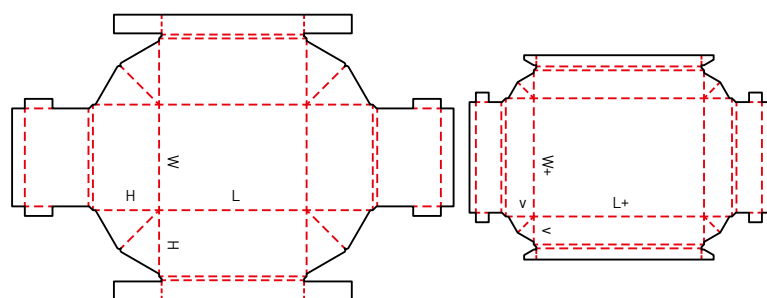
0320 M/A



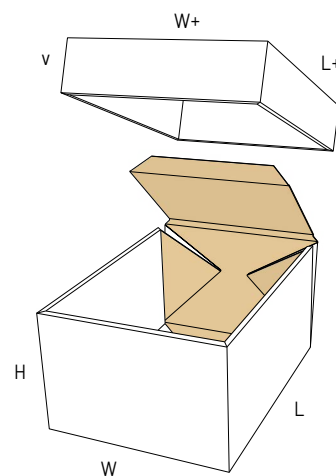
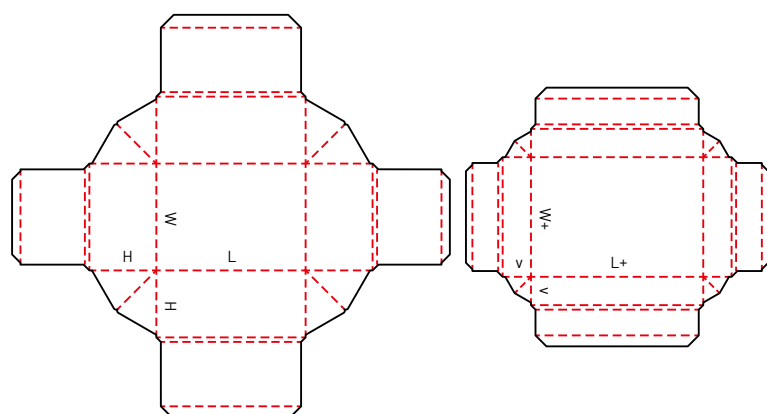
0321 M



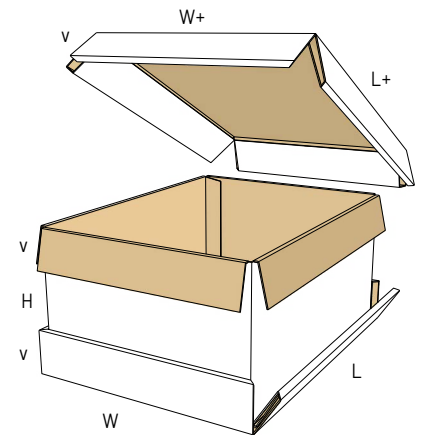
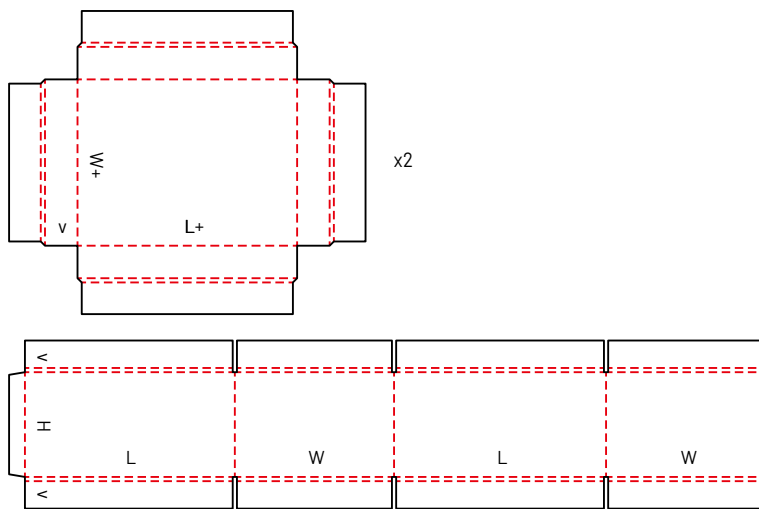
0322 M



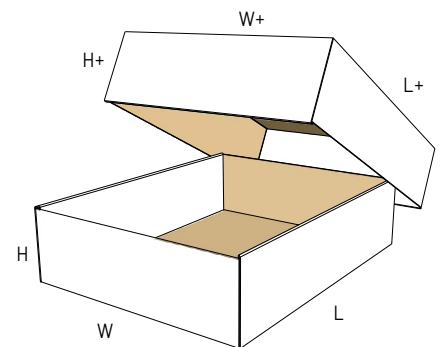
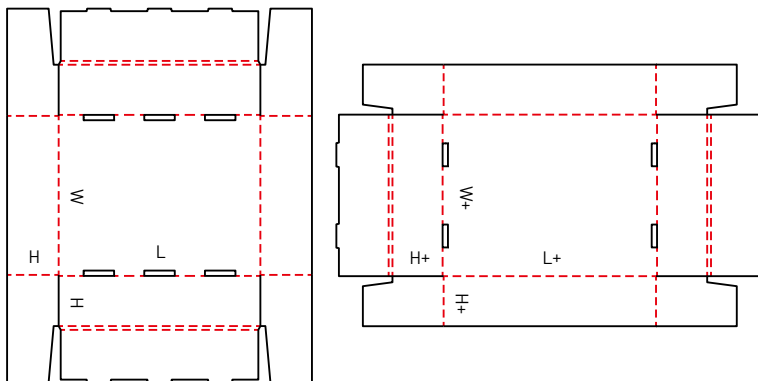
0323 M



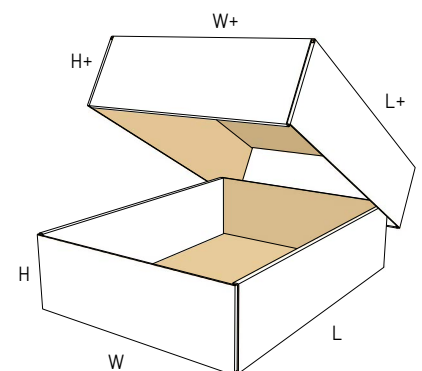
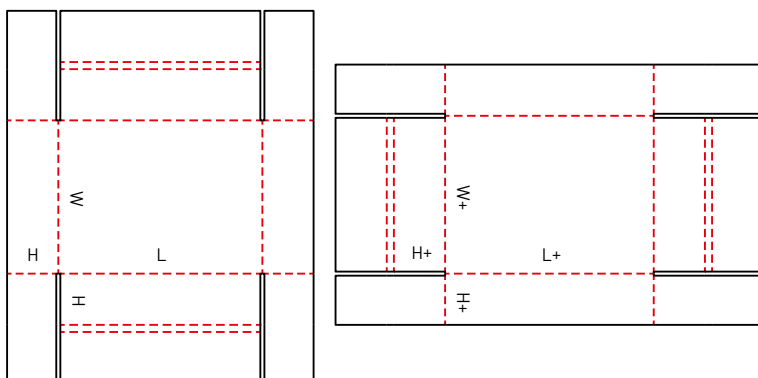
0325 M/A



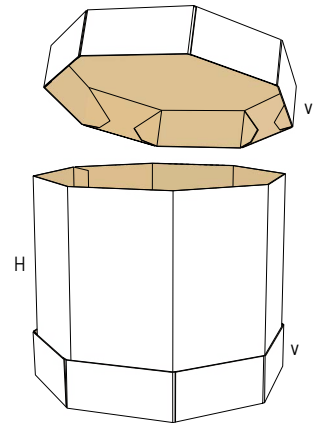
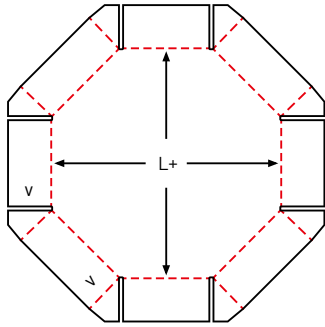
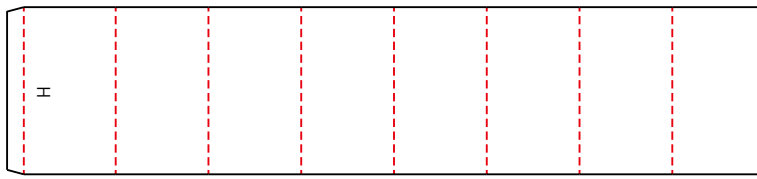
0330 M/A



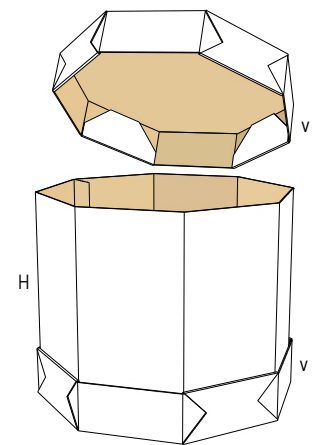
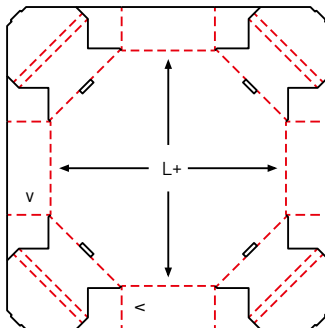
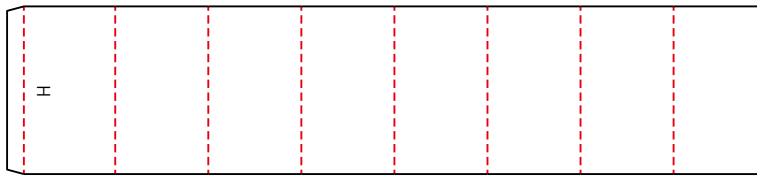
0331 M/A



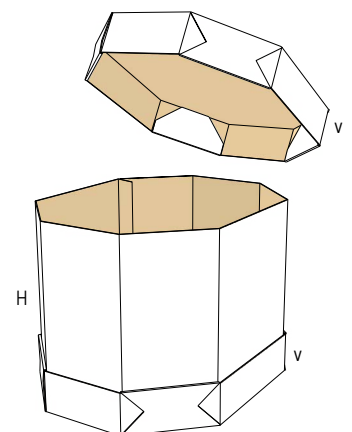
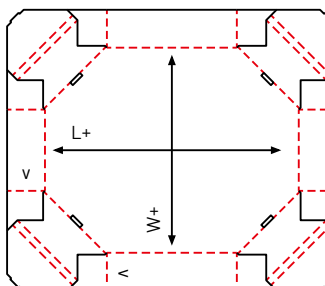
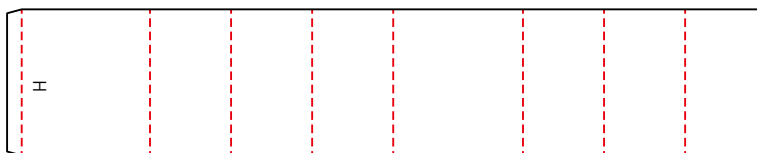
0350 A



0351 M/A

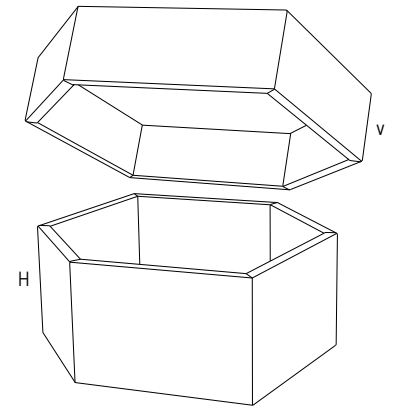
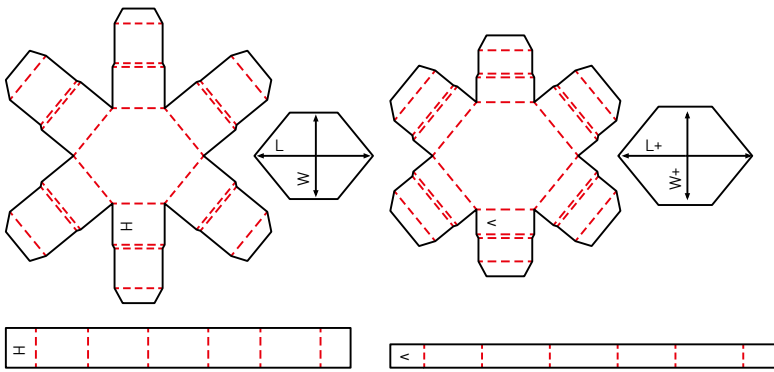


0352 M/A



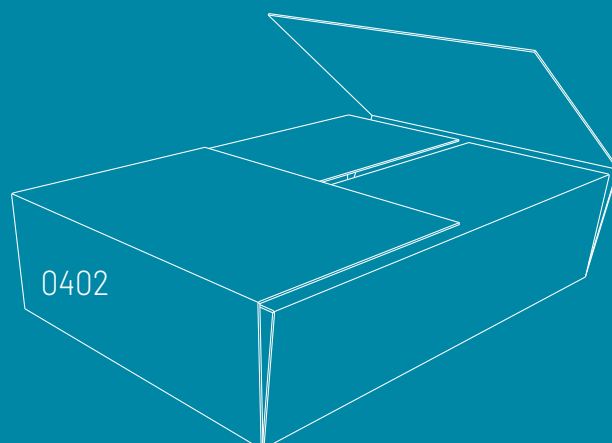
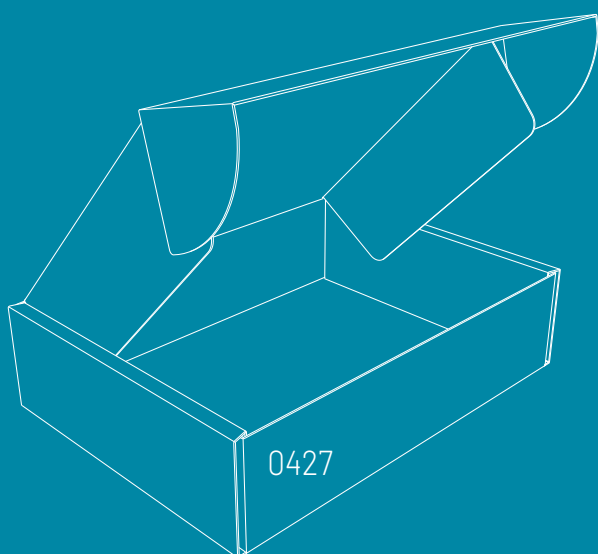
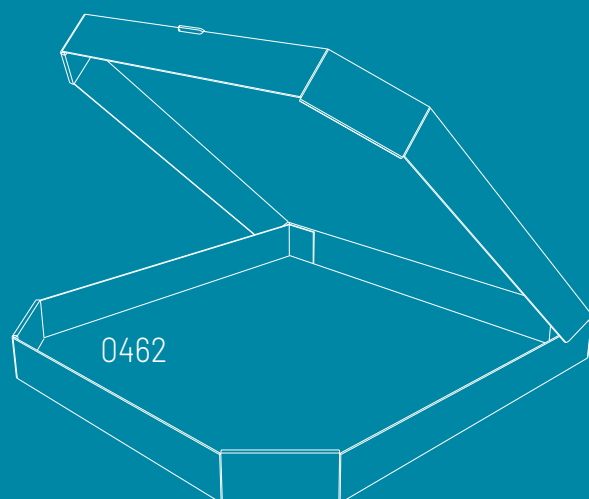
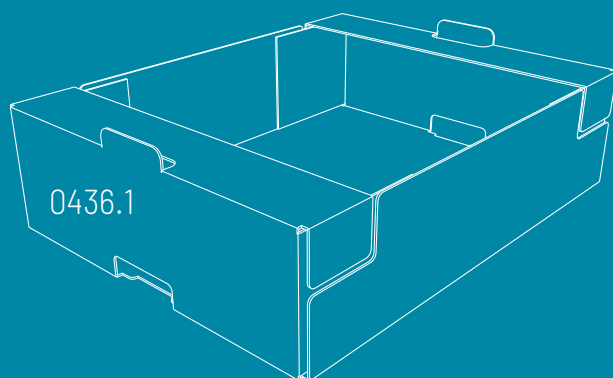
0360 M

NEW

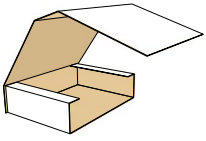


FOLDER BOXES AND TRAYS

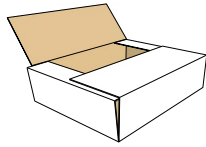
Folder boxes and trays are usually made from one piece of board. The bottom of the box is hinged to form two or all side walls and the cover. Locking tabs, handles, display panels, etc. can be incorporated in some designs.



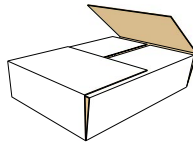
0400 M



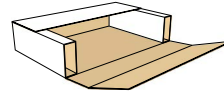
0401 M



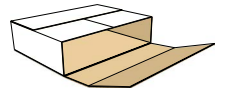
0402 M



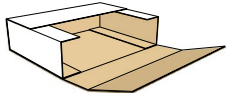
0403 M



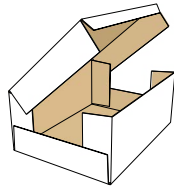
0404 M



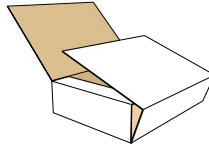
0405 M



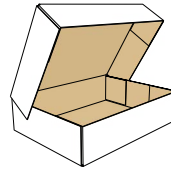
0406 A



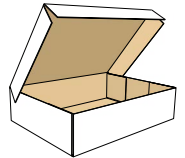
0407 M
NEW



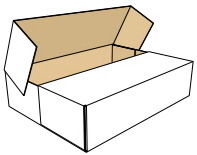
0409 M/A



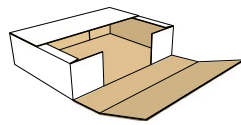
0410 M/A



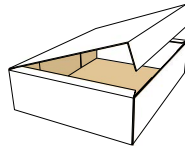
0411 M/A



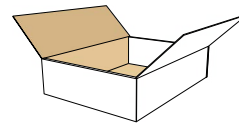
0412 M



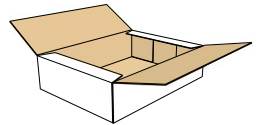
0413 M/A



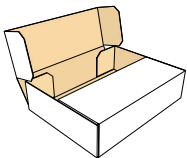
0414 M
NEW



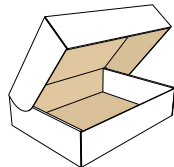
0415 M/A



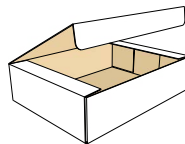
0416 M



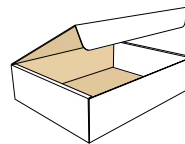
0418 M
NEW



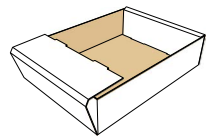
0420 M/A



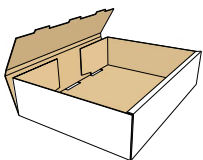
0421 M/A



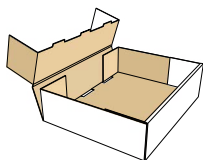
0422 M/A



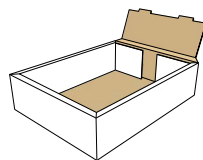
0423 M/A



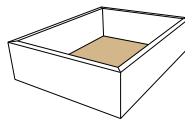
0424 M/A



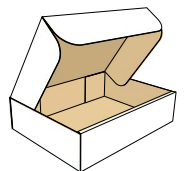
0425 M/A



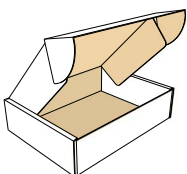
0425.1 M/A
NEW



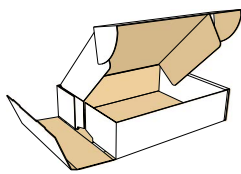
0426 M



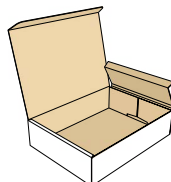
0427 M



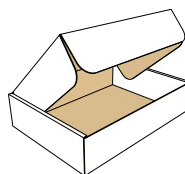
0427.1 M
NEW



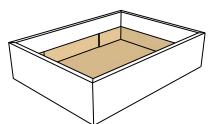
0428 M



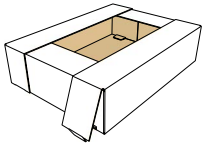
0429 M



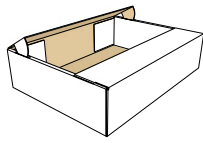
0430 M/A



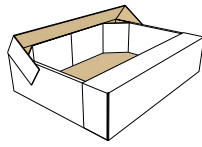
0431 M



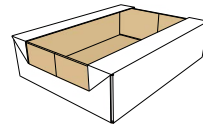
0432 M



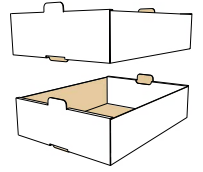
0433 M



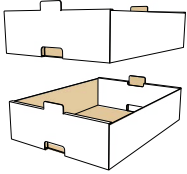
0434 A



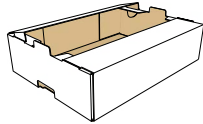
0435 M/A



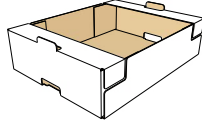
0435.1 M/A
NEW



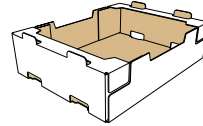
0436 M



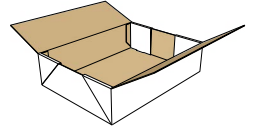
0436.1 A
NEW



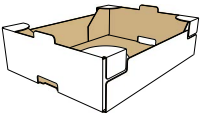
0436.2 A
NEW



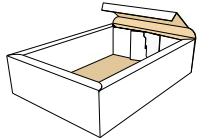
0437 M



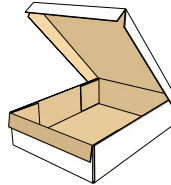
0438 A
NEW



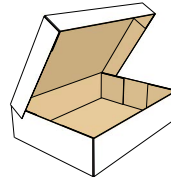
0439 M
NEW



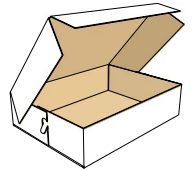
0440 A



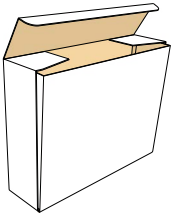
0441 A



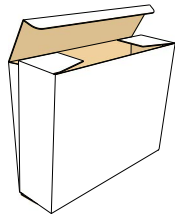
0442 M



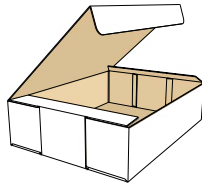
0443 M



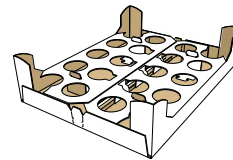
0444 M



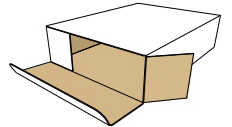
0445 M



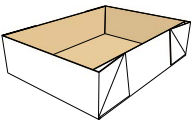
0446 A



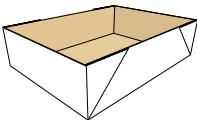
0447 M



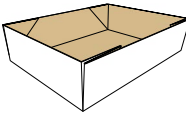
0448 M



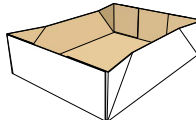
0449 M



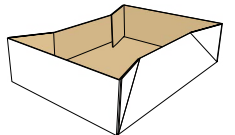
0449.1 M
NEW



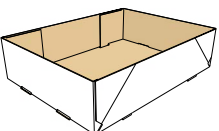
0450 M



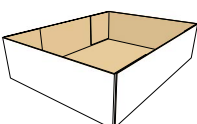
0451 M



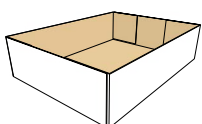
0451.1 M
NEW



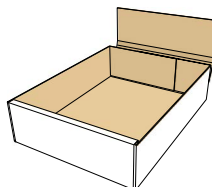
0452 A



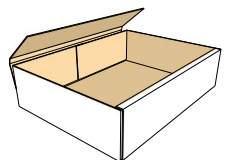
0453 A



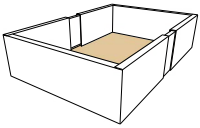
0454 M



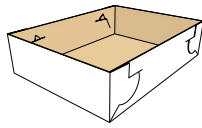
0455 M



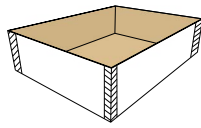
0456 M



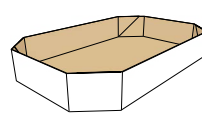
0457 M



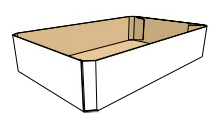
0458 M



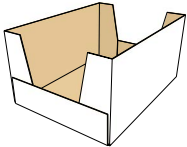
0459 A



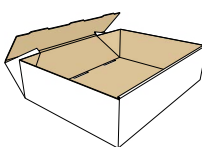
0459.1 A
NEW



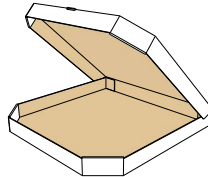
0460 A



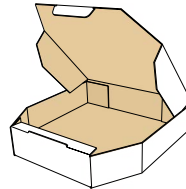
0461 M/A
NEW



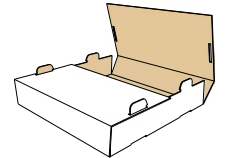
0462 M
NEW



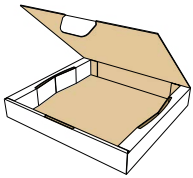
0463 M
NEW



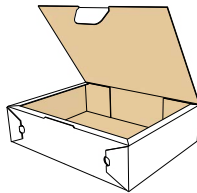
0464 M
NEW



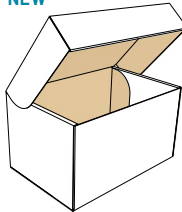
0465 M
NEW



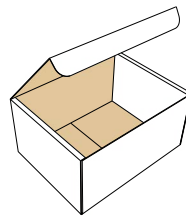
0466 M
NEW



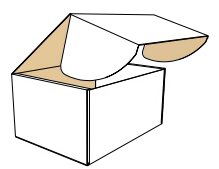
0469 M
NEW



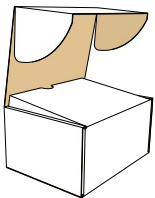
0470 M



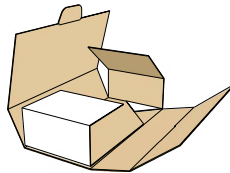
0471 M



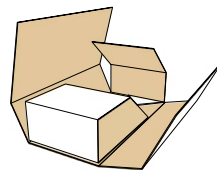
0472 M



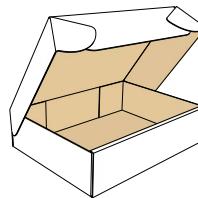
0473 M



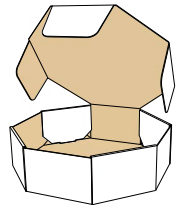
0474 M
NEW



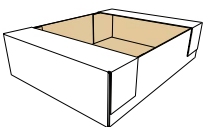
0475 M
NEW



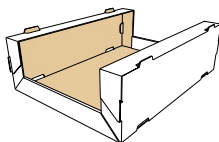
0476 M
NEW



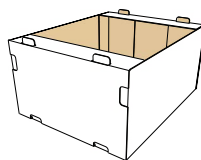
0480 A



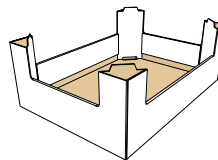
0481 M
NEW



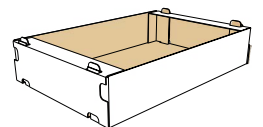
0482 M
NEW



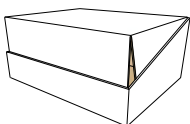
0483 A
NEW



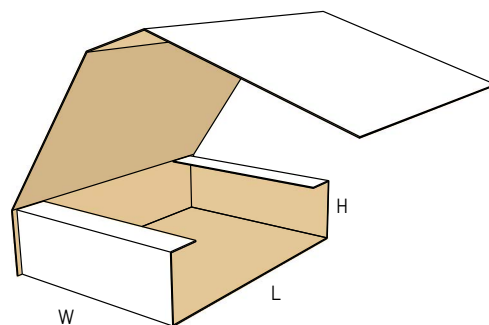
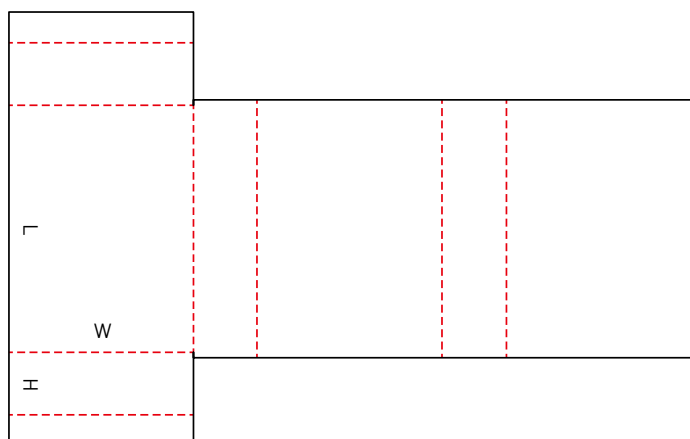
0484 M
NEW



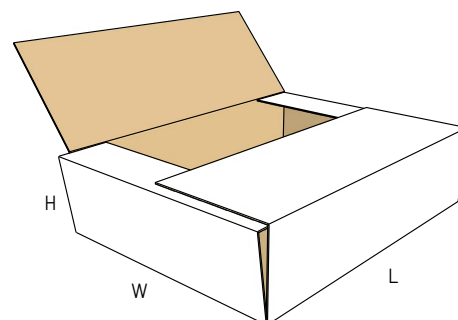
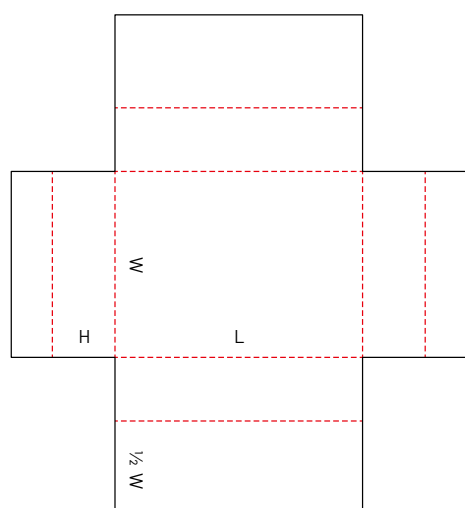
0485 M
NEW



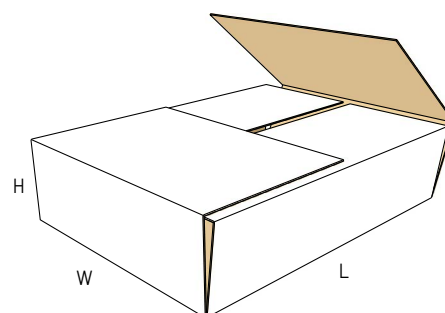
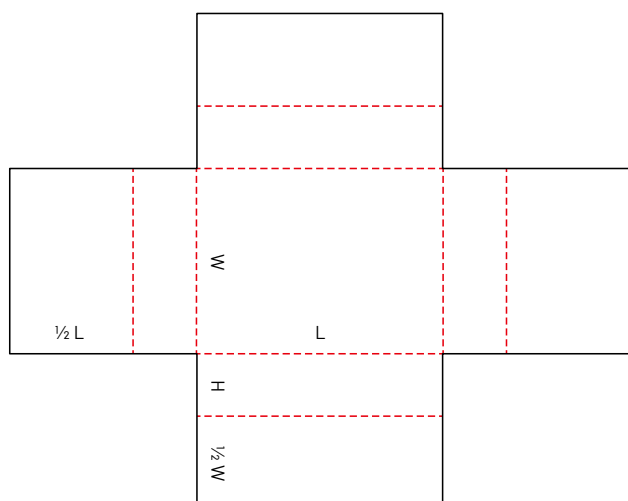
0400 M



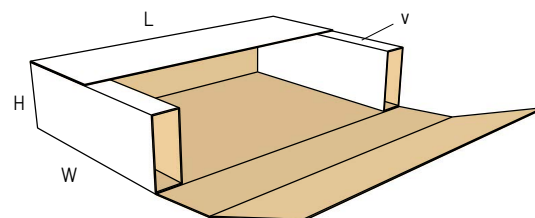
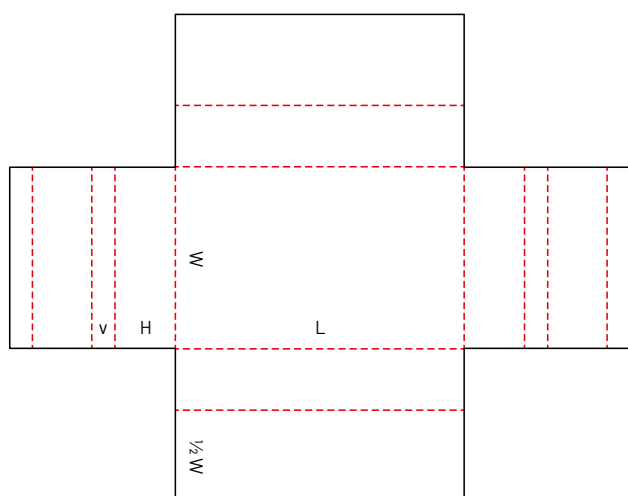
0401 M



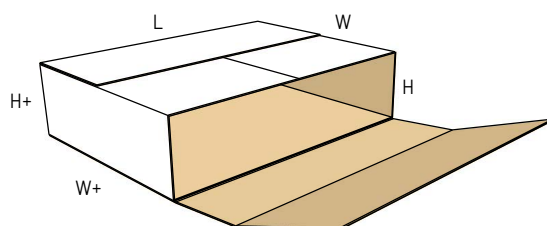
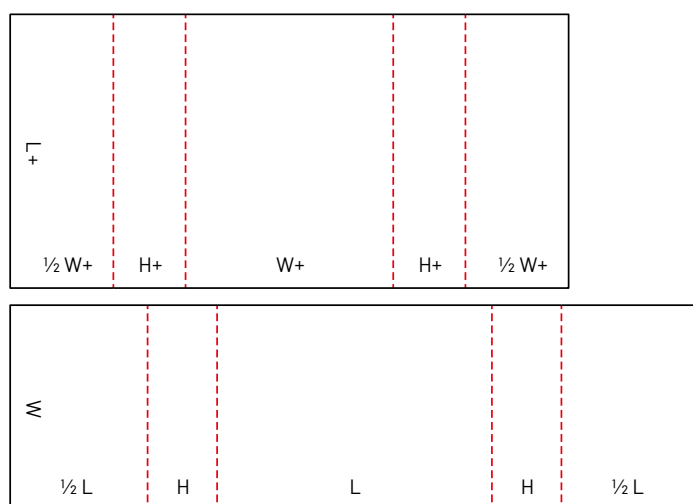
0402 M



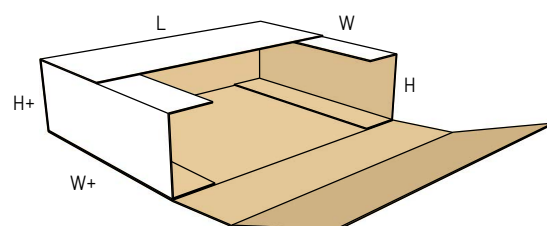
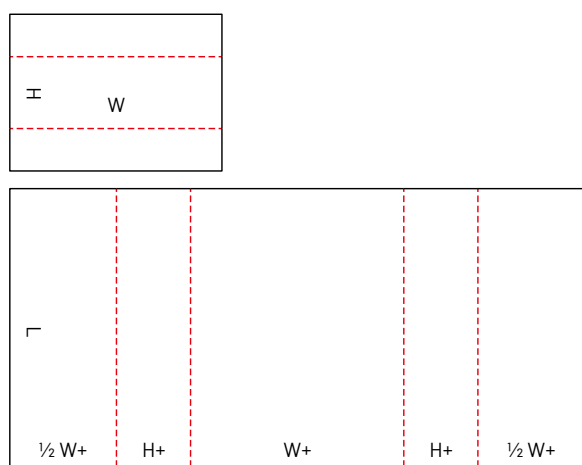
0403 M



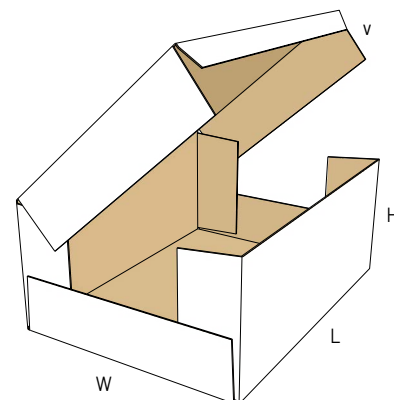
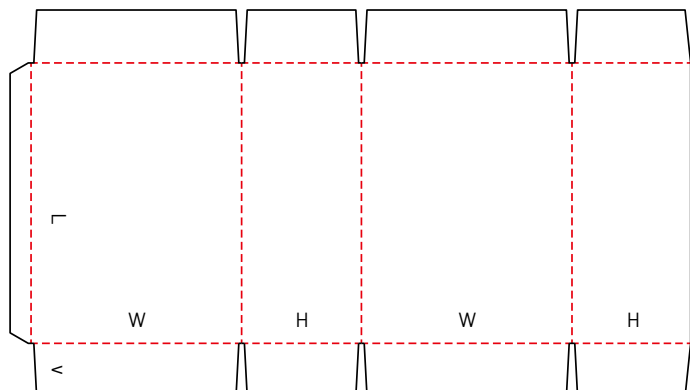
0404 M



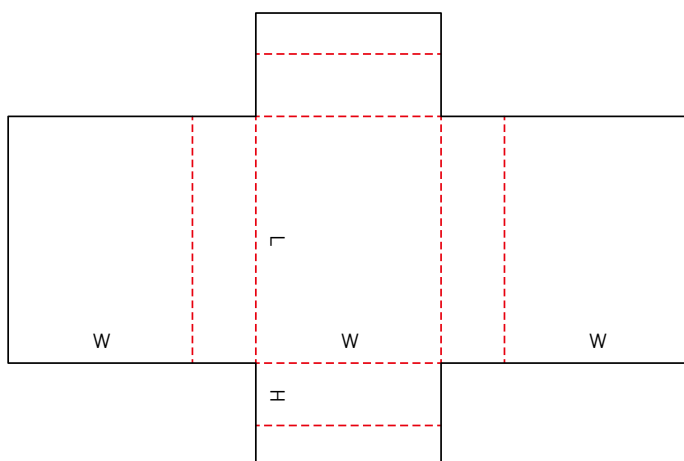
0405 M



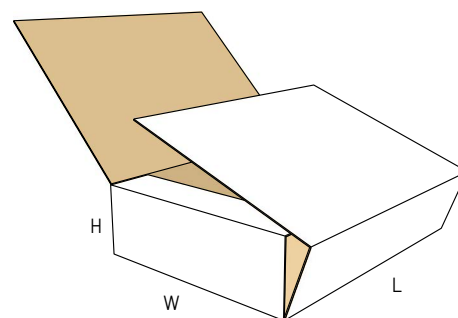
0406 A



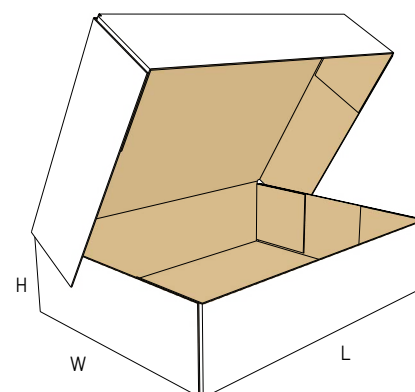
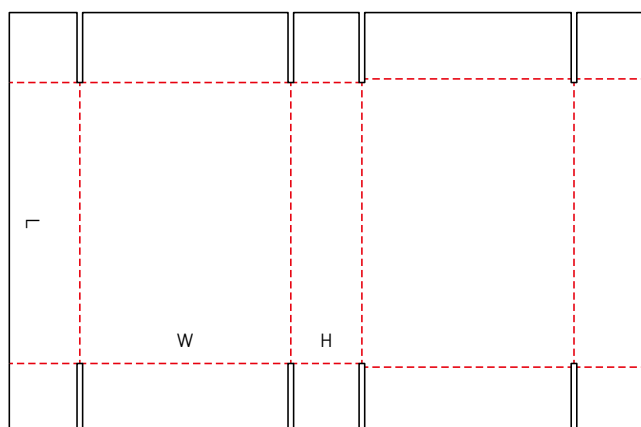
0407 M



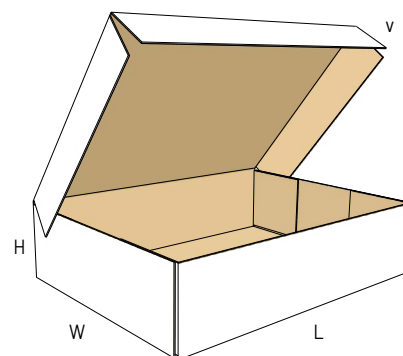
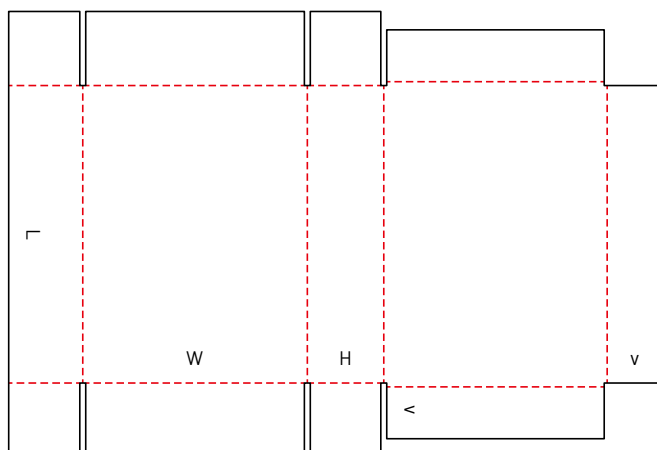
NEW



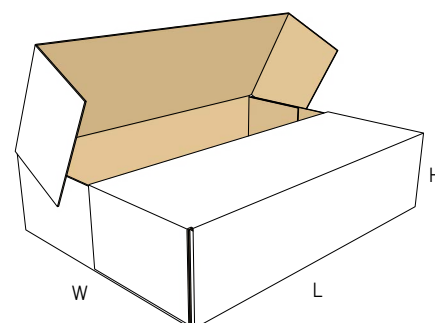
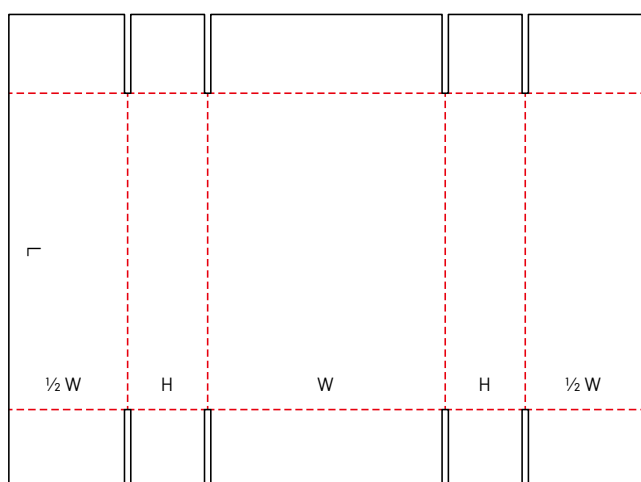
0409 M/A



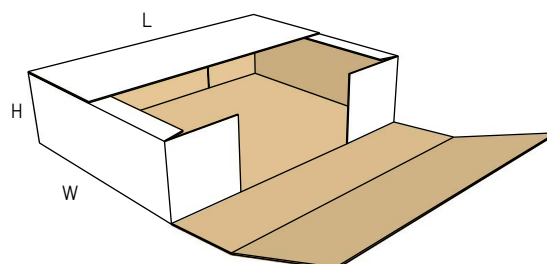
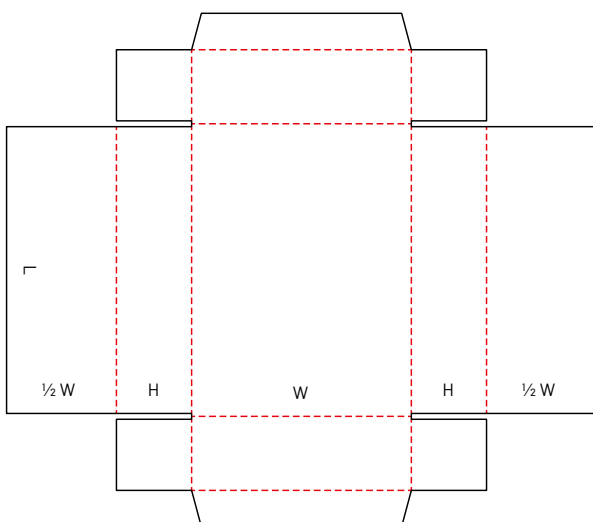
0410 M/A



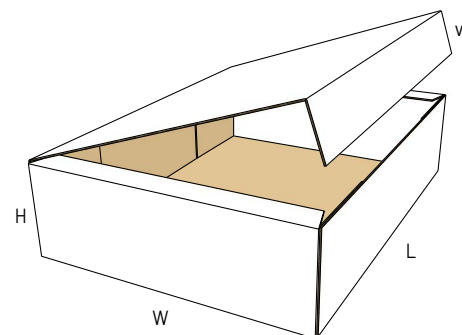
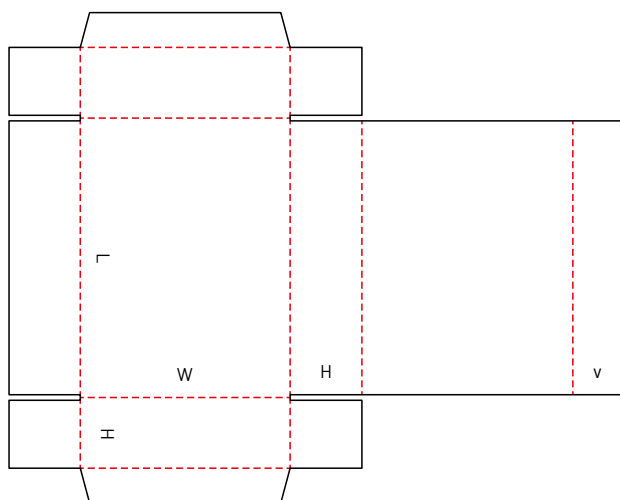
0411 M/A



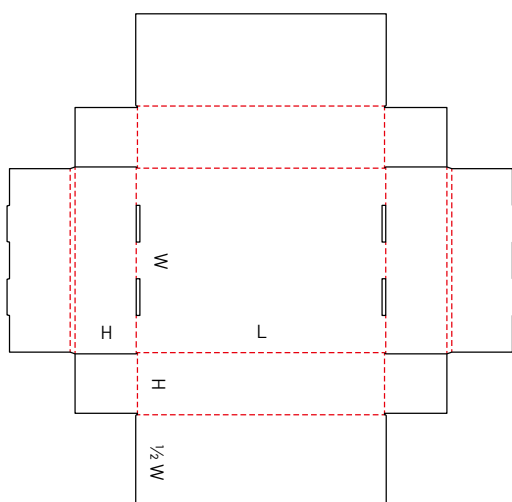
0412 M



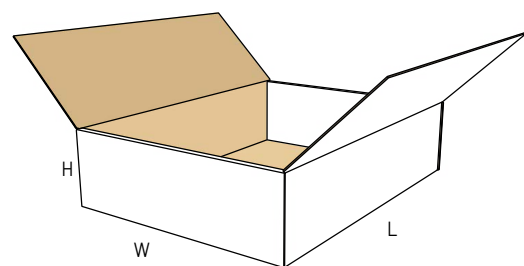
0413 M/A



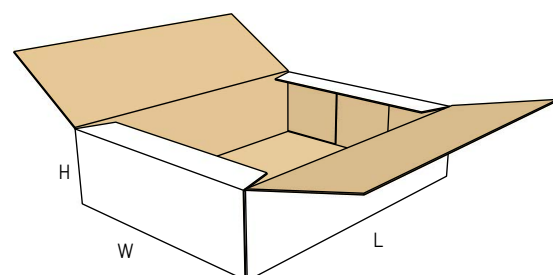
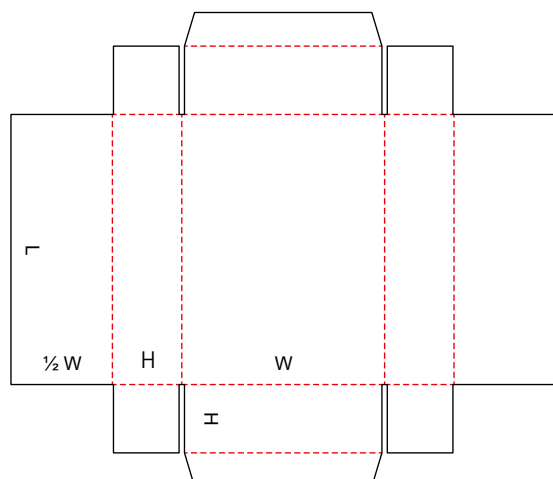
0414 M



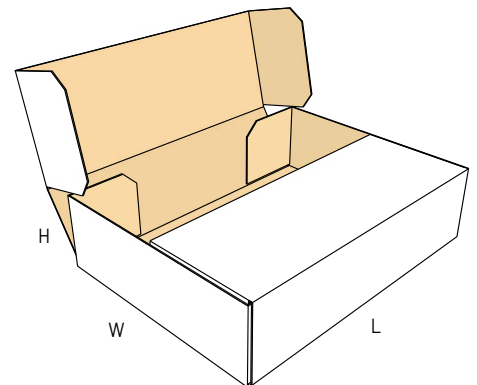
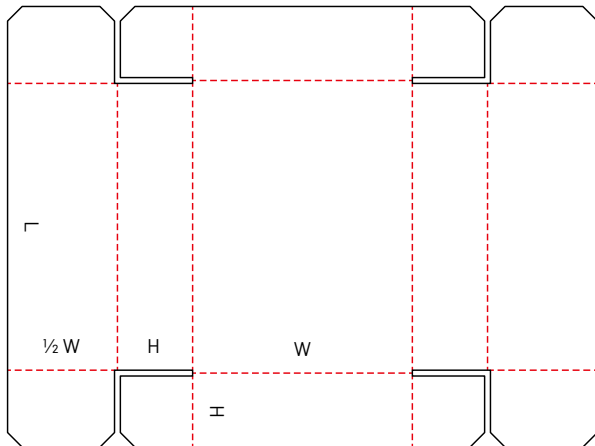
NEW



0415 M/A

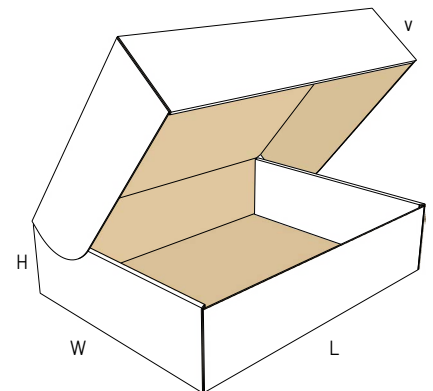
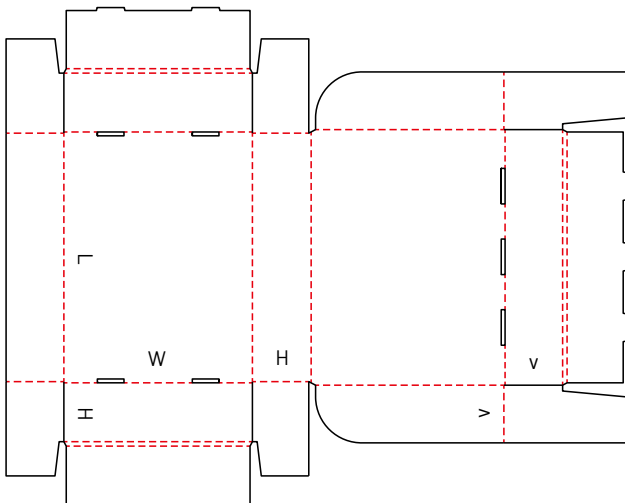


0416 M

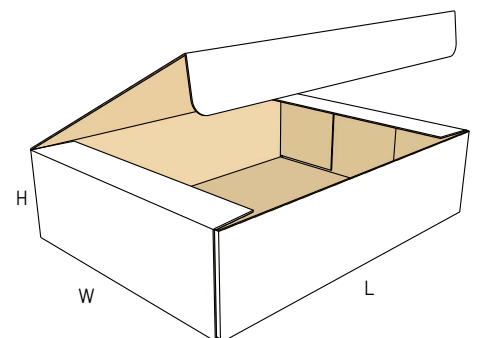
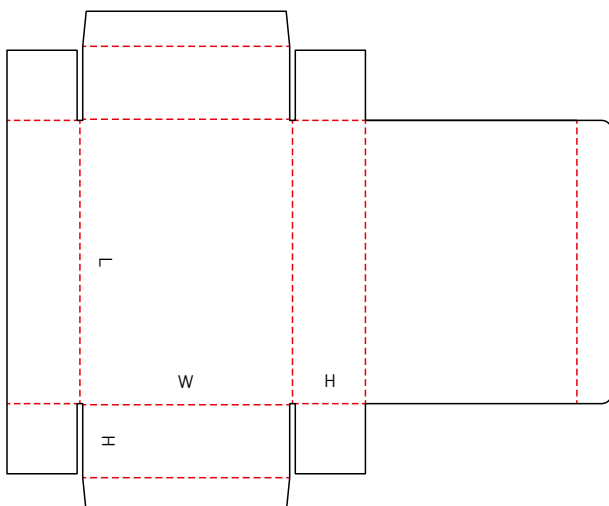


0418 M

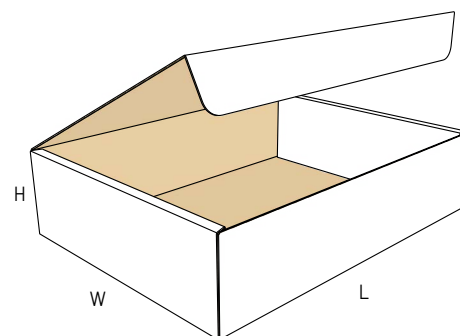
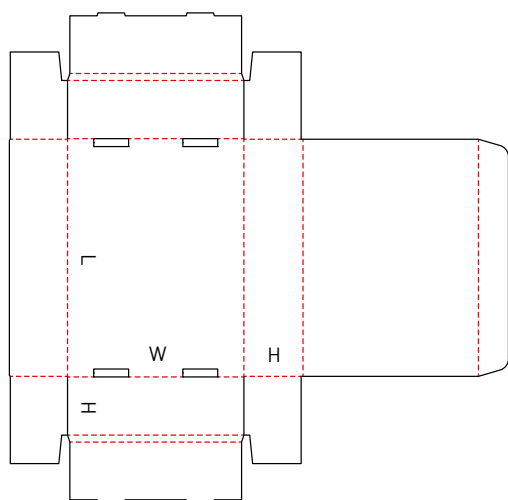
NEW



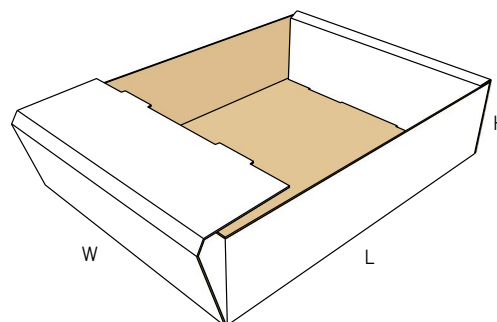
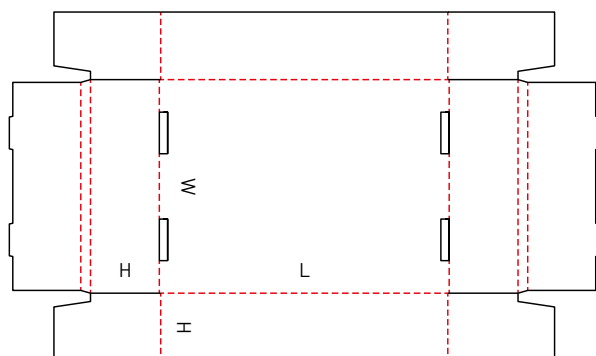
0420 M/A



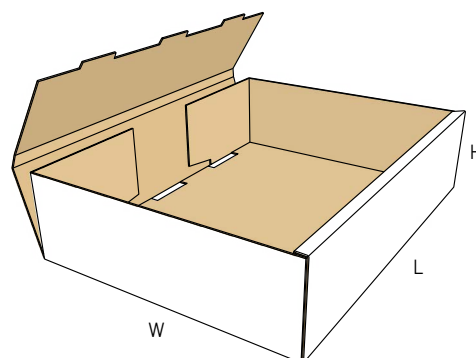
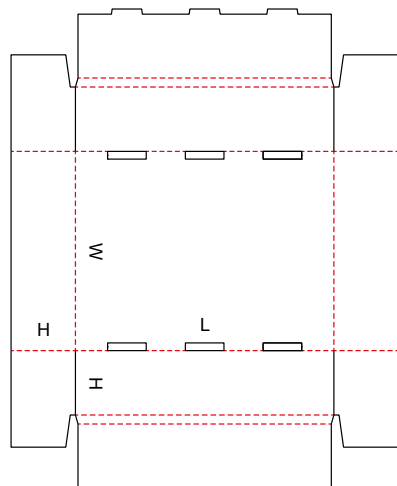
0421 M/A



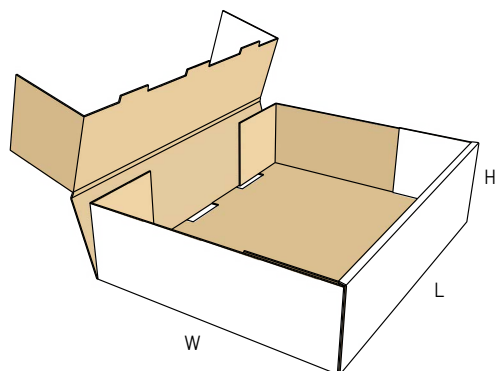
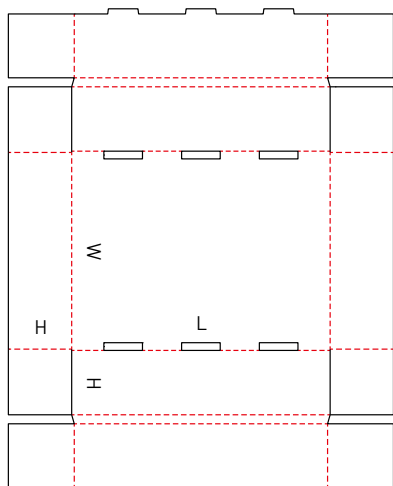
0422 M/A



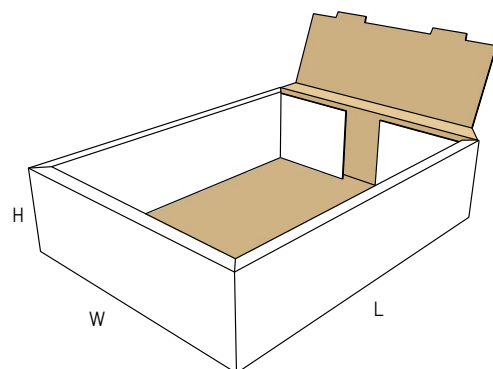
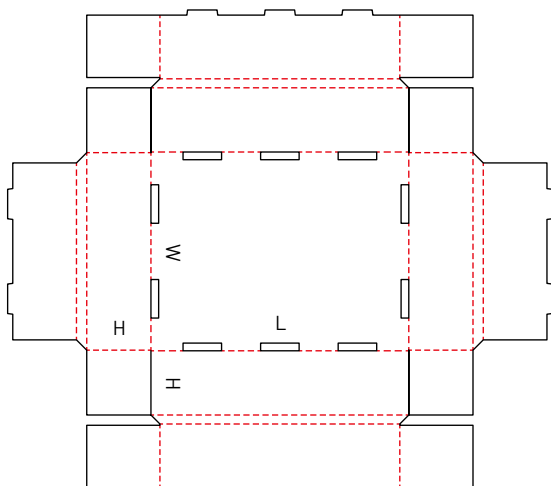
0423 M/A



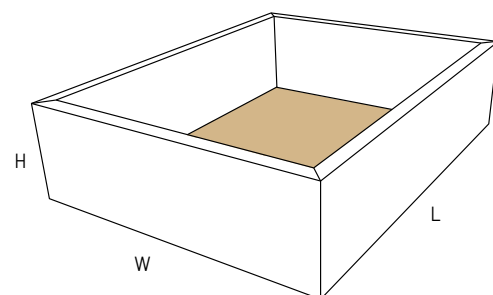
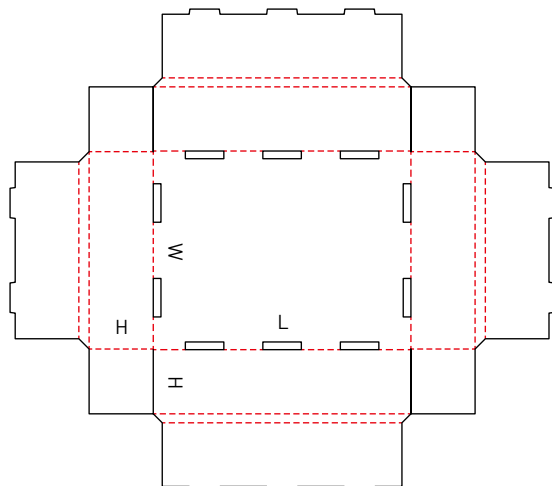
0424 M/A



0425 M/A

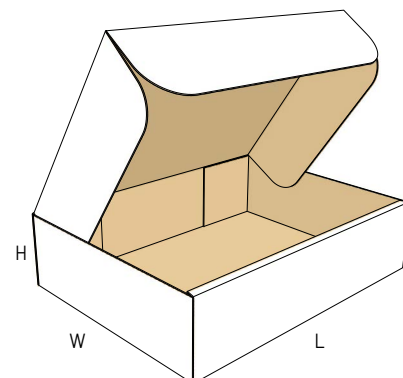
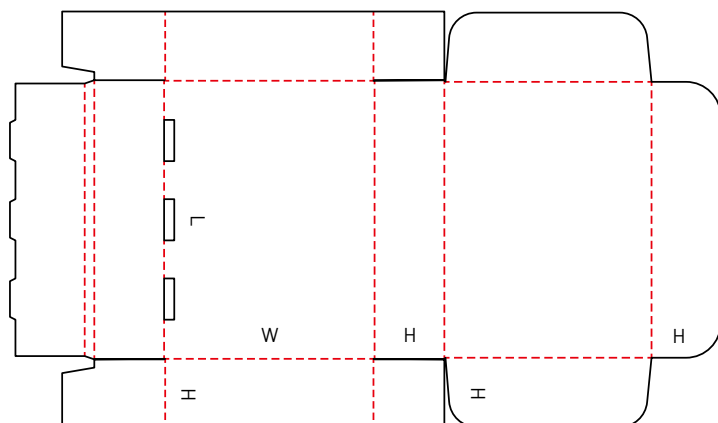


0425.1 M/A

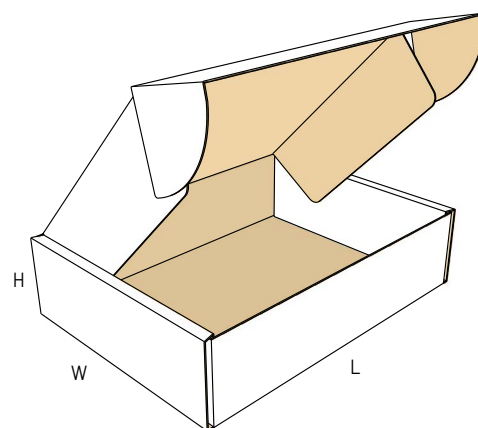
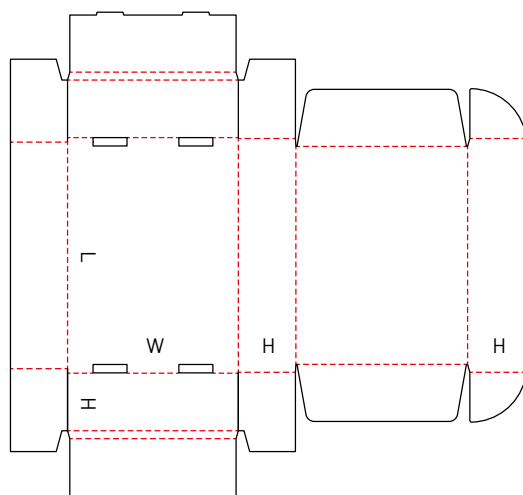


NEW

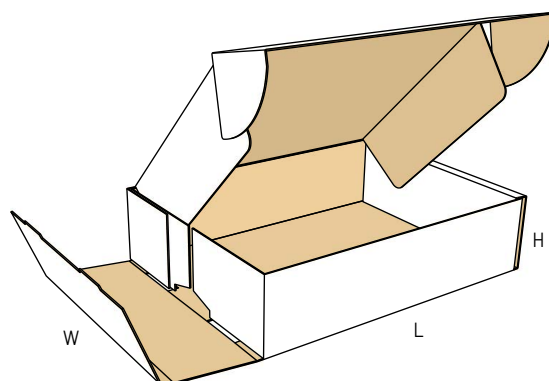
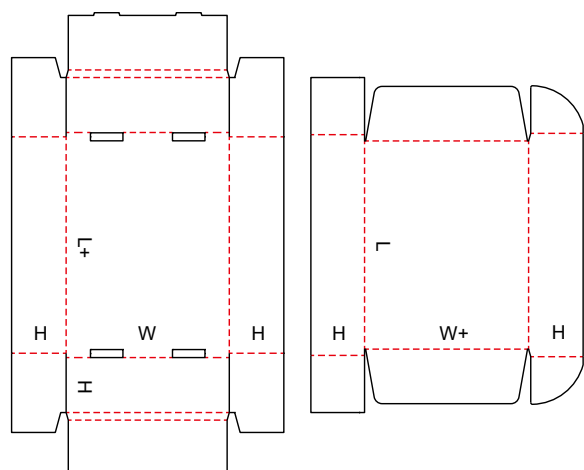
0426 M



0427 M

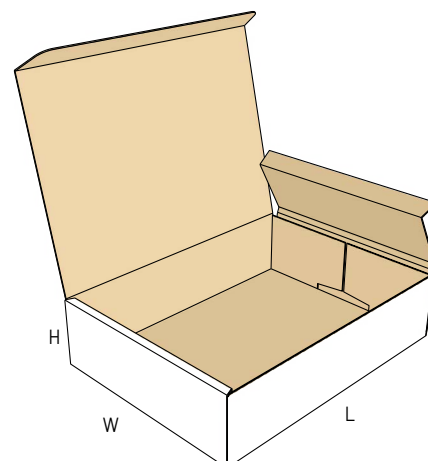
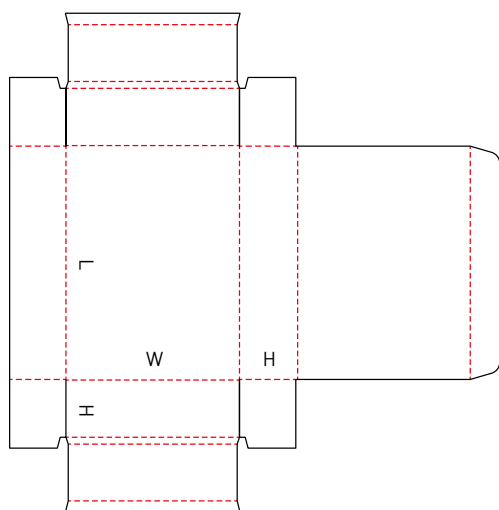


0427.1 M

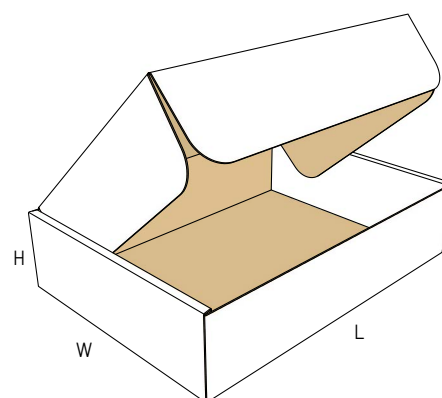
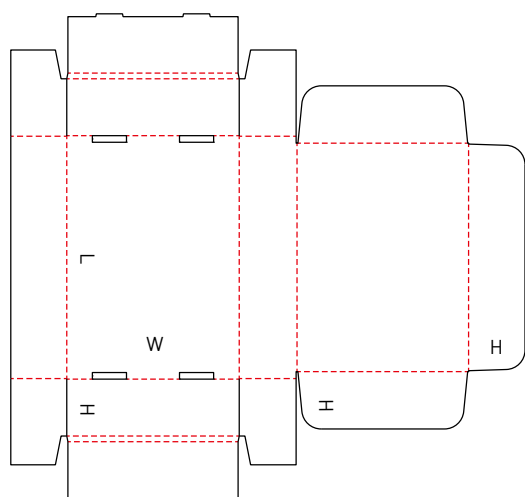


NEW

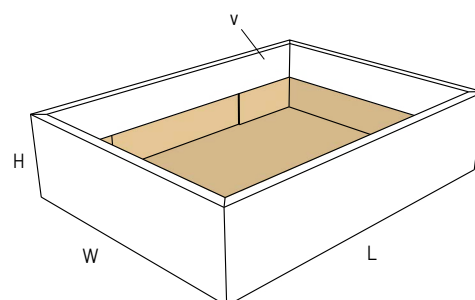
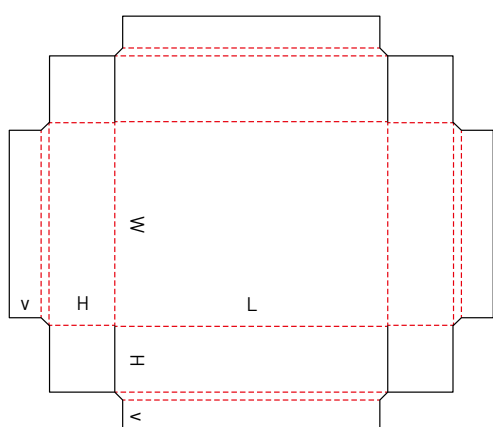
0428 M



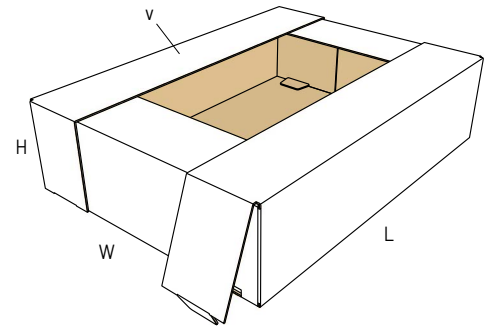
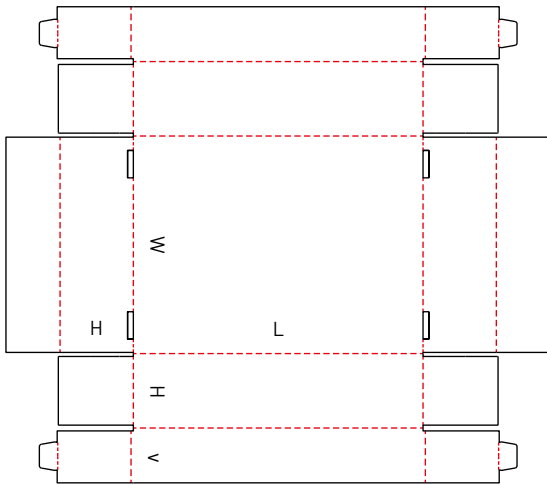
0429 M



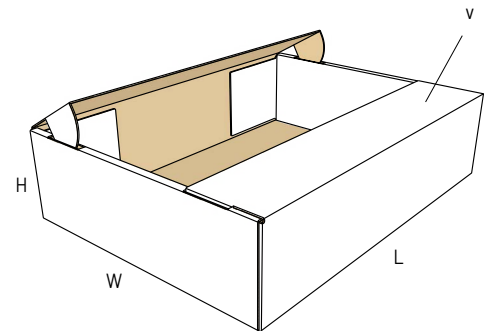
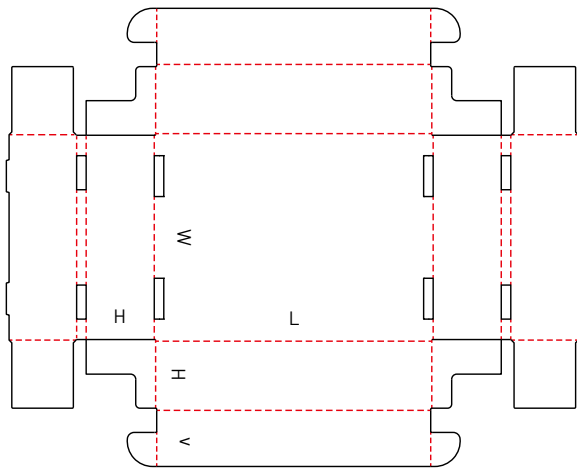
0430 M/A



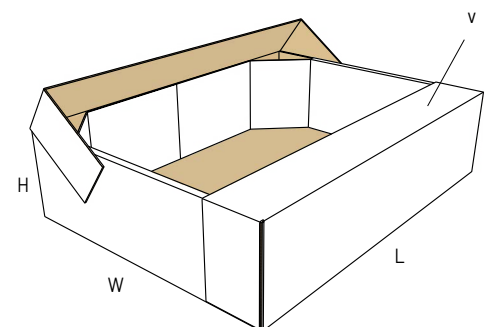
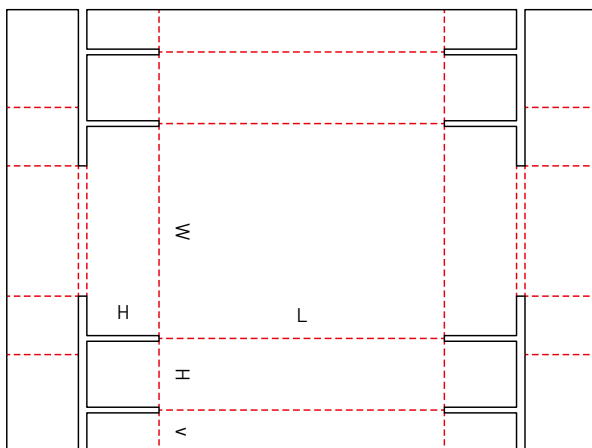
0431 M



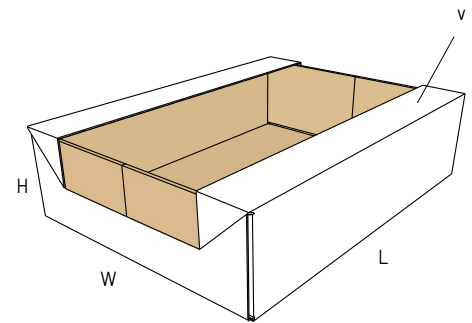
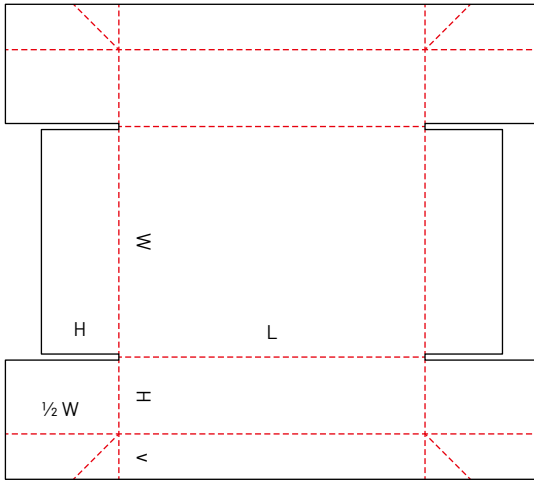
0432 M



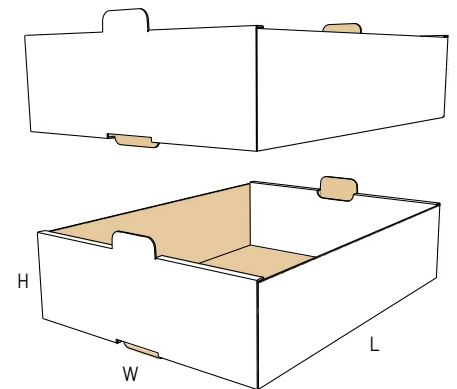
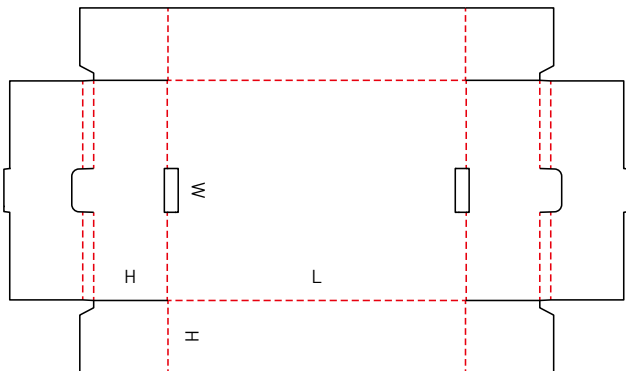
0433 M



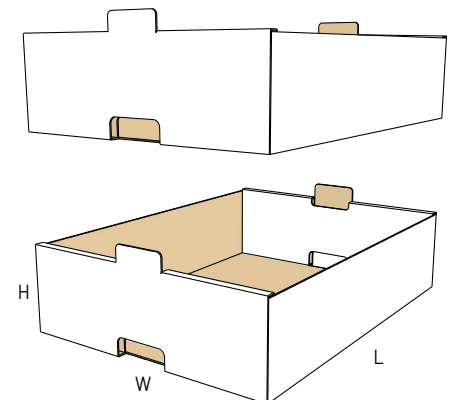
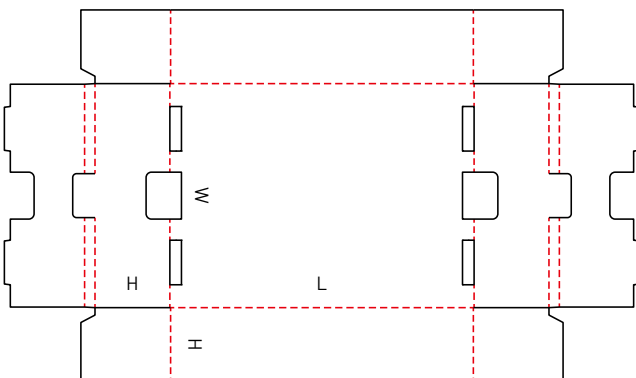
0434 A



0435 M/A

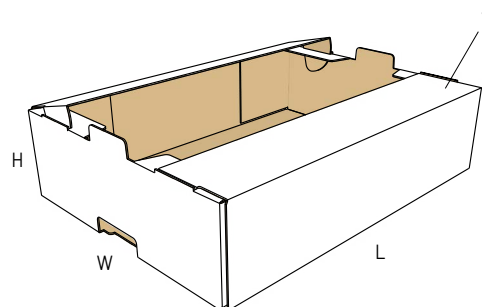
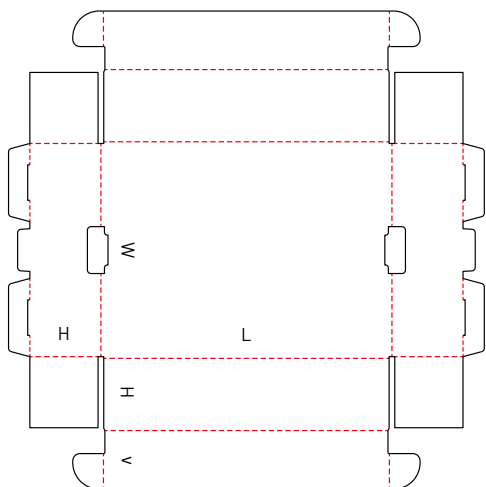


0435.1 M/A



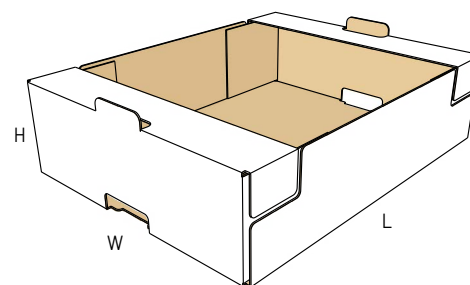
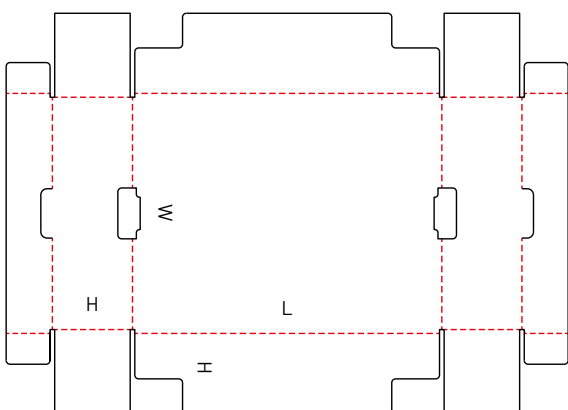
NEW

0436 M



Tabs and slots should conform with the FEFCO Common Footprint Quality (CFQ) Standard. The CFQ requirements and the stamp can be downloaded from FEFCO website.

0436.1 A

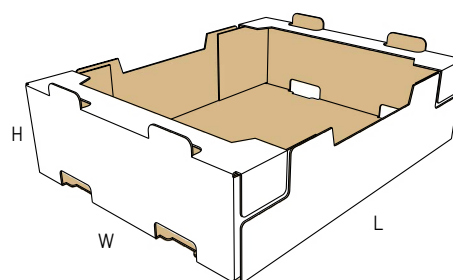
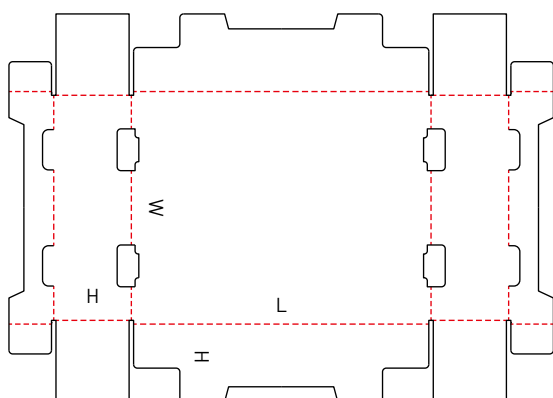


NEW

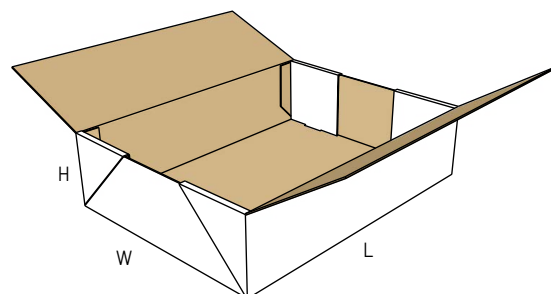
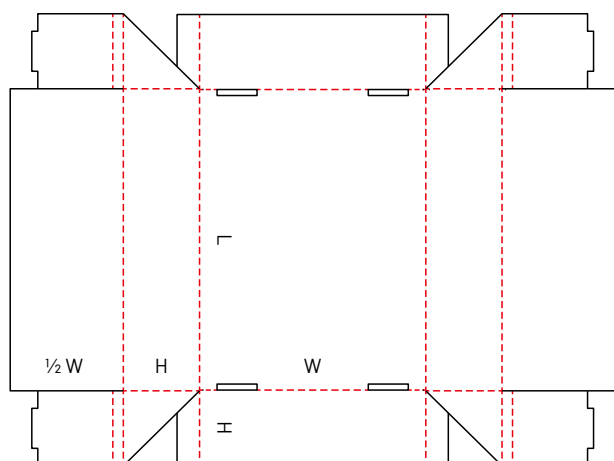
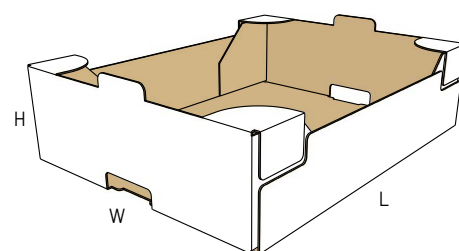
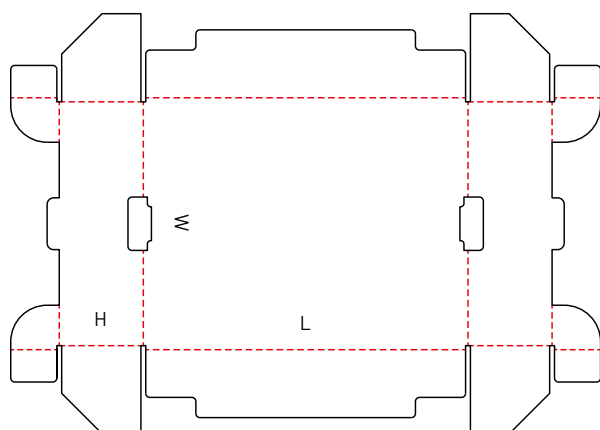
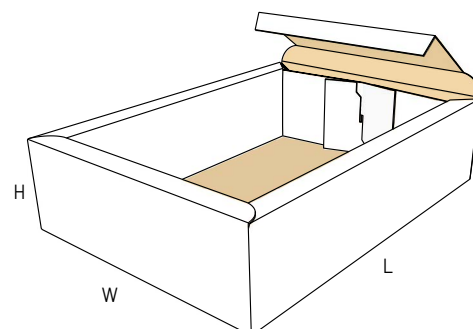
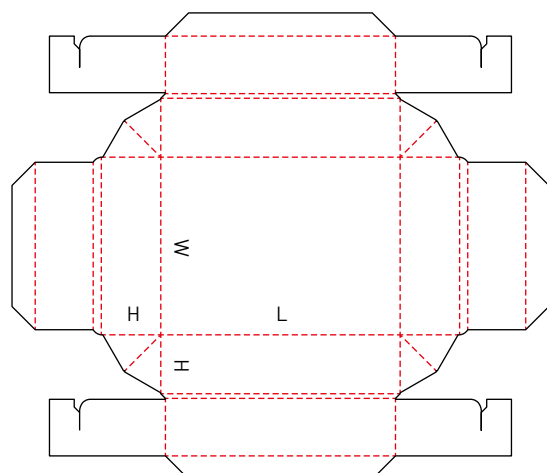


Tabs and slots should conform with the FEFCO Common Footprint Quality (CFQ) Standard. The CFQ requirements and the stamp can be downloaded from FEFCO website.

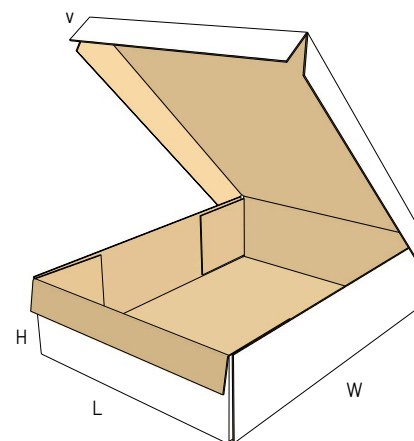
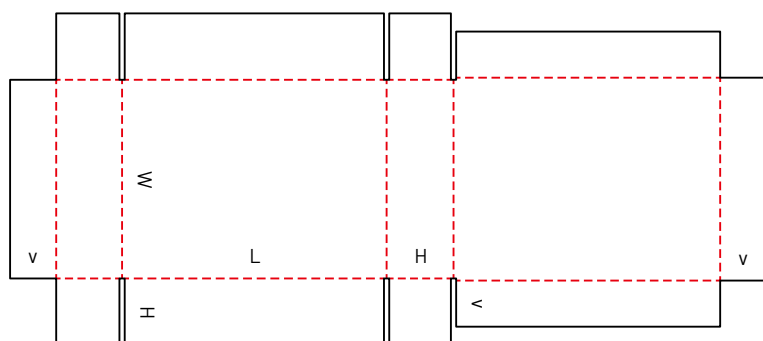
0436.2 A



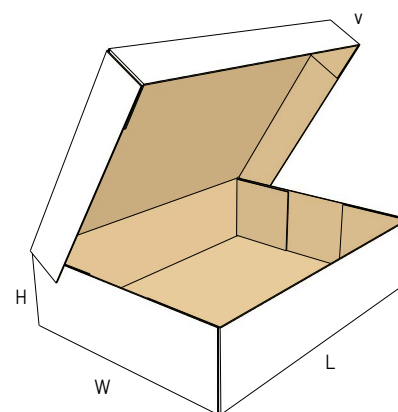
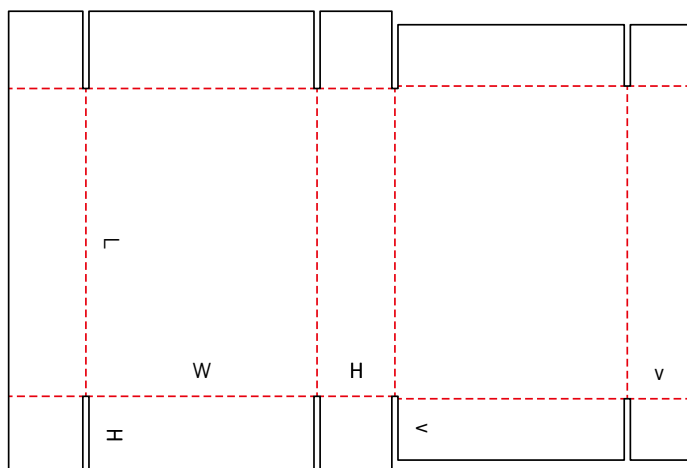
NEW

0437 **M**0438 **A****NEW**0439 **M****NEW**

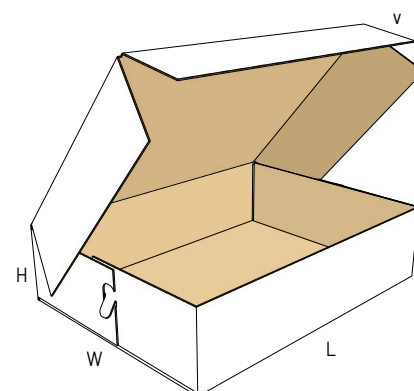
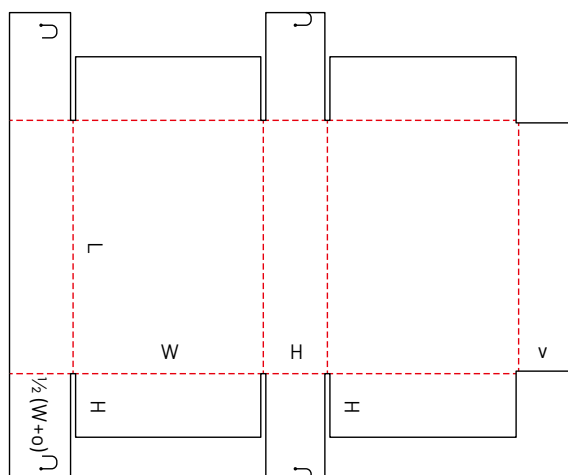
0440 A



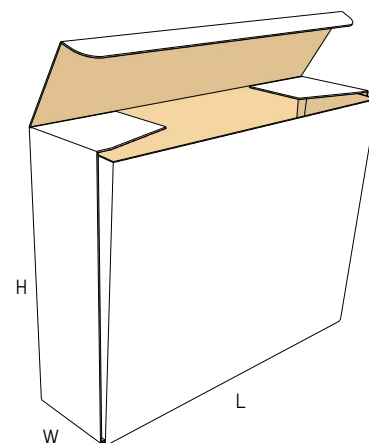
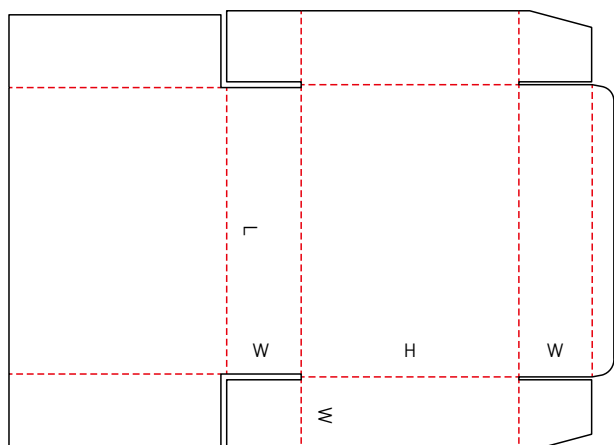
0441 A



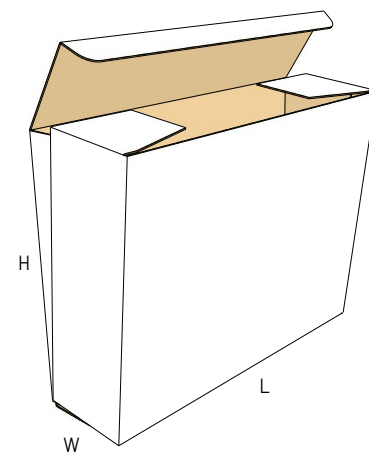
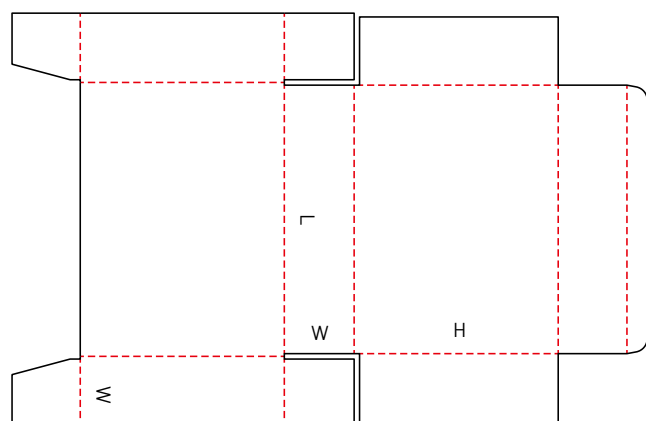
0442 M



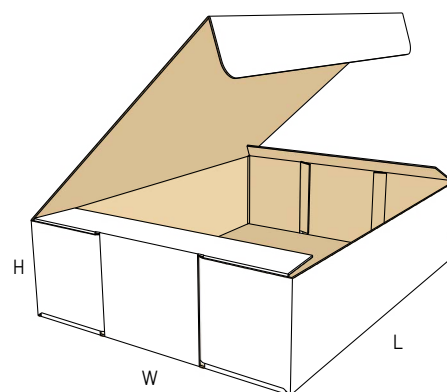
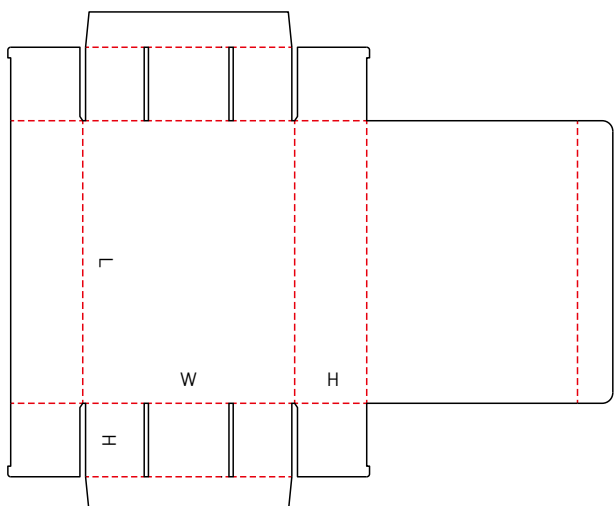
0443 M



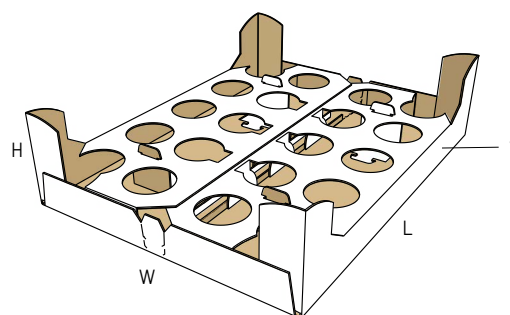
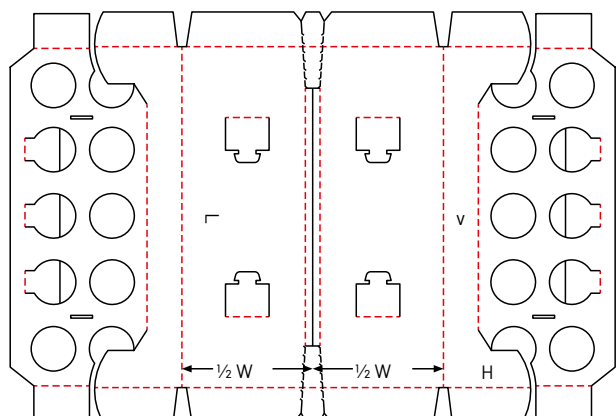
0444 M



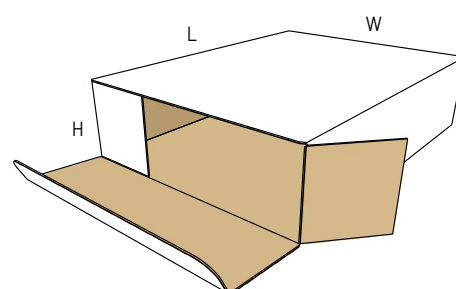
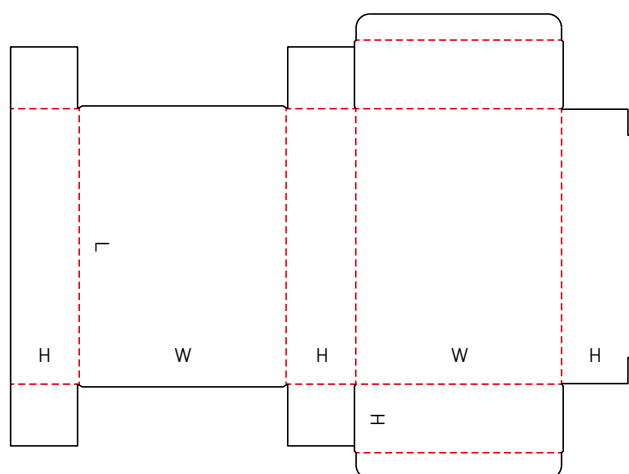
0445 M



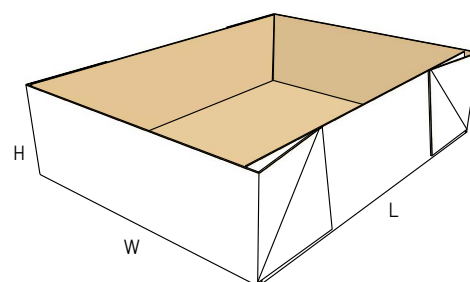
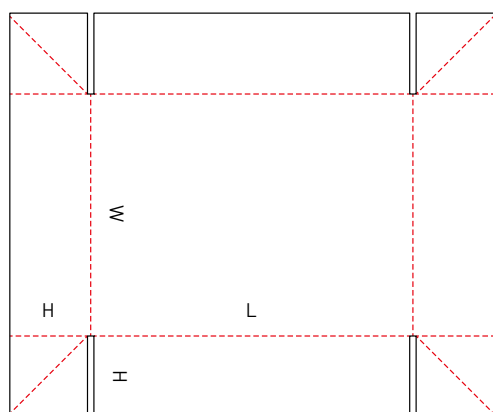
0446 A



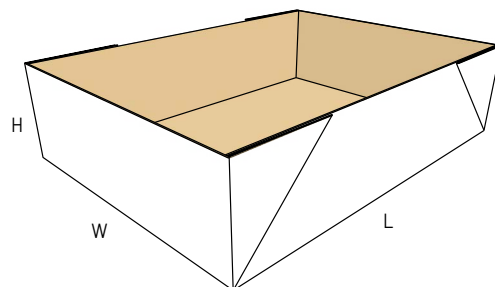
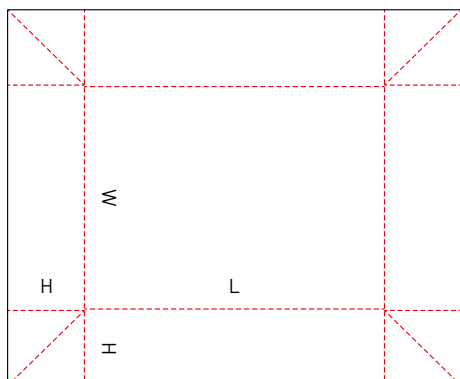
0447 M



0448 M

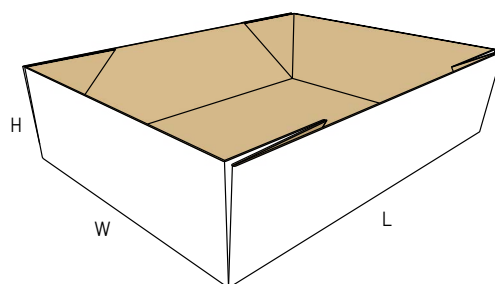
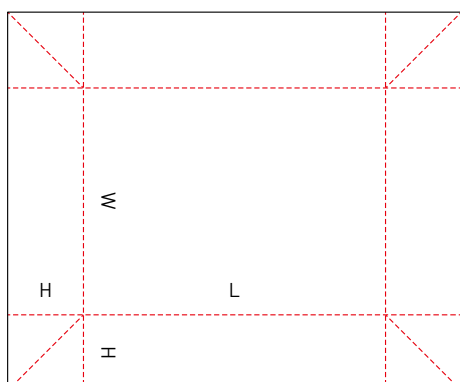


0449 M

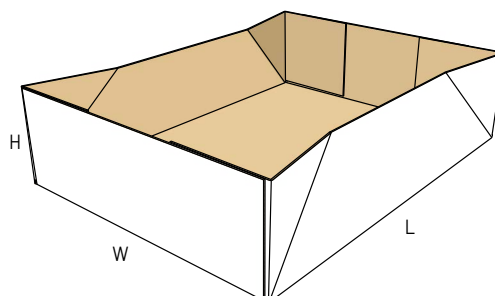
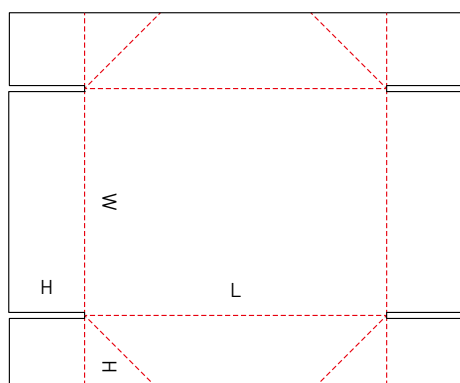


0449.1 M

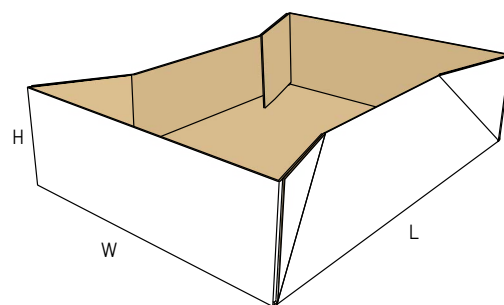
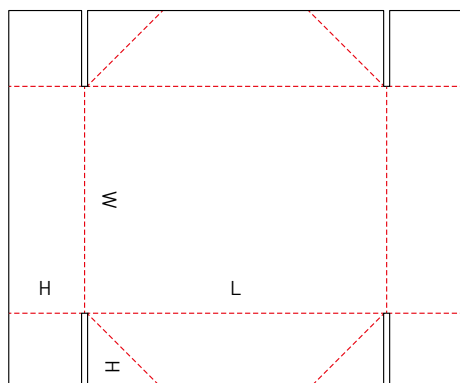
NEW



0450 M

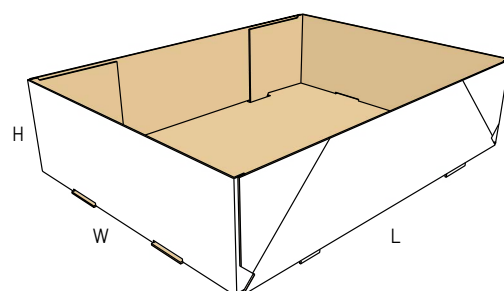
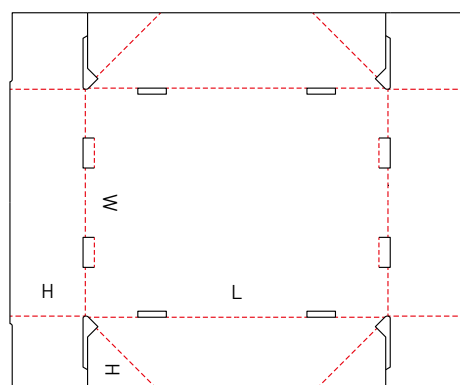


0451 M

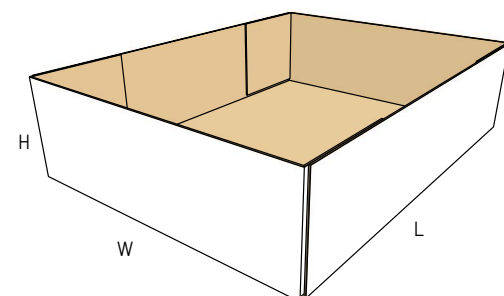
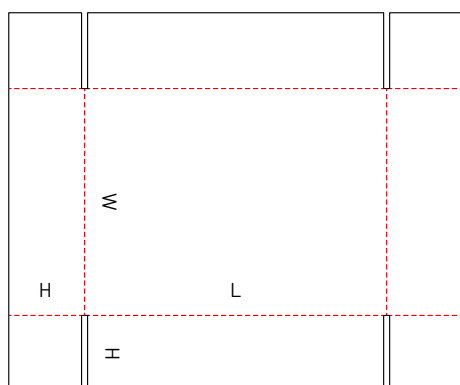


0451.1 M

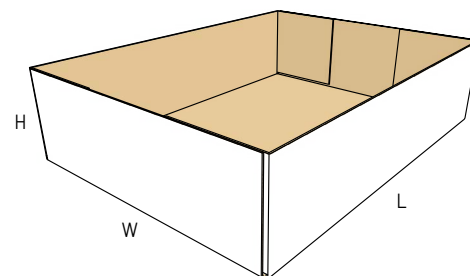
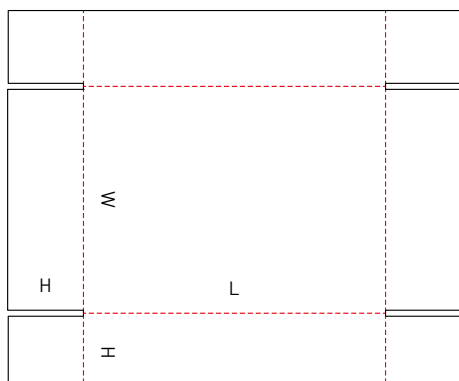
NEW



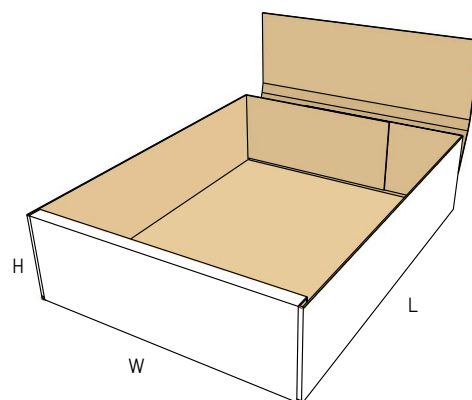
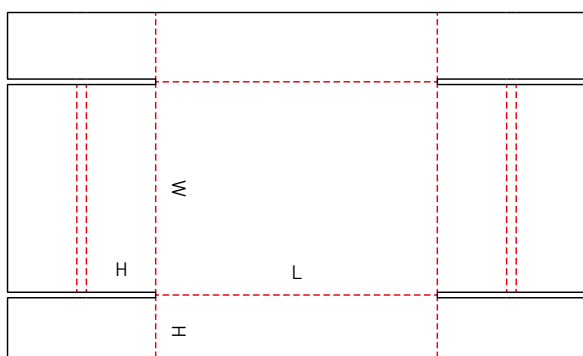
0452 A



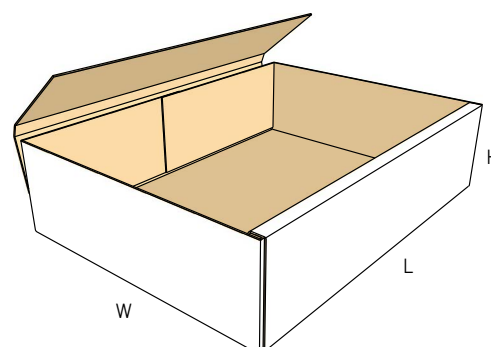
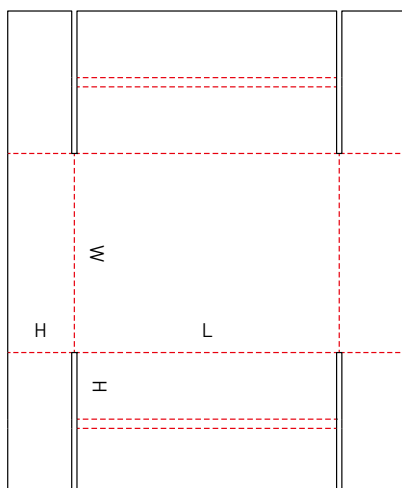
0453 A



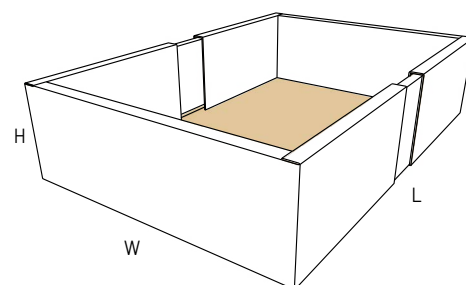
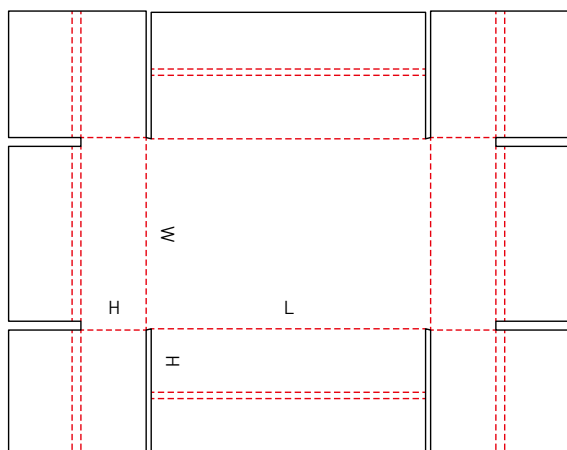
0454 M



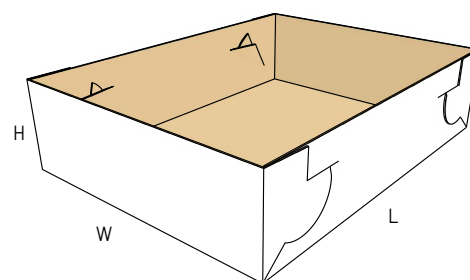
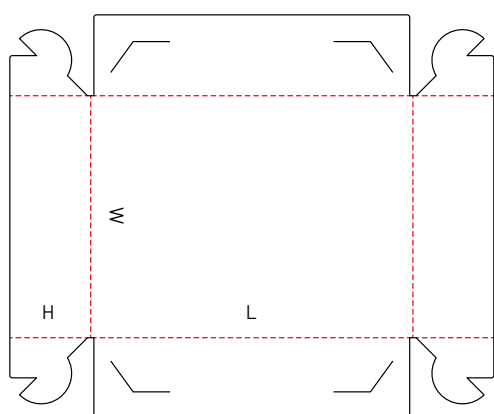
0455 M



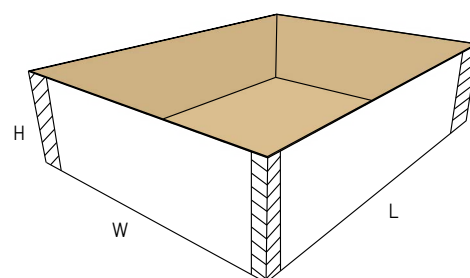
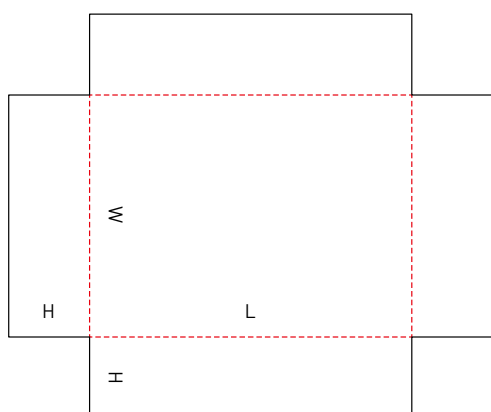
0456 M



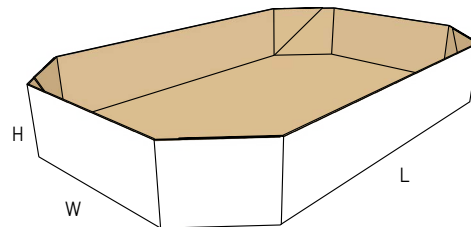
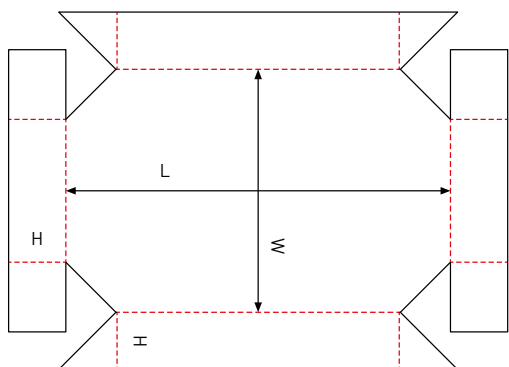
0457 M



0458 M

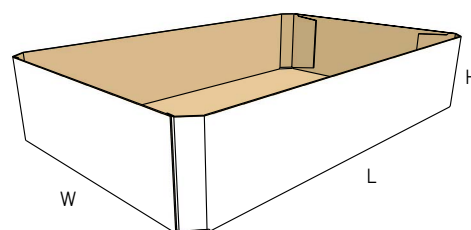
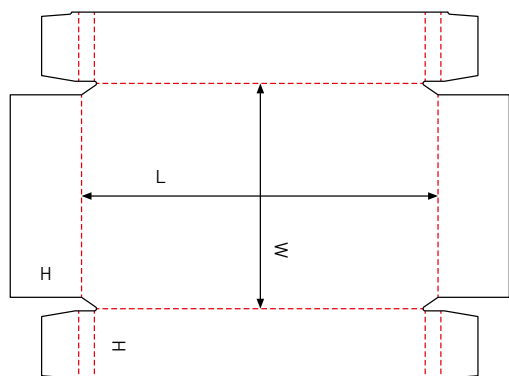


0459 A

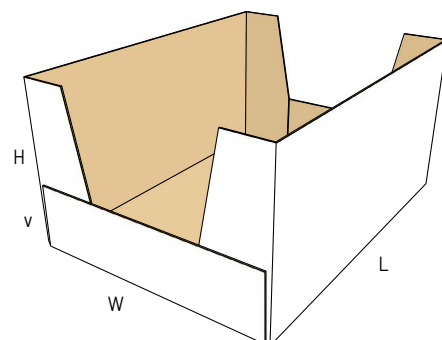
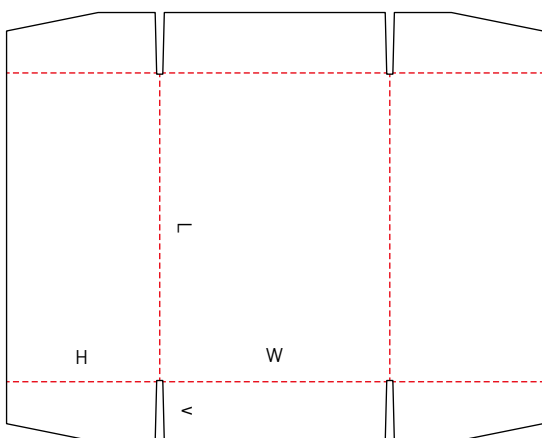


0459.1 A

NEW

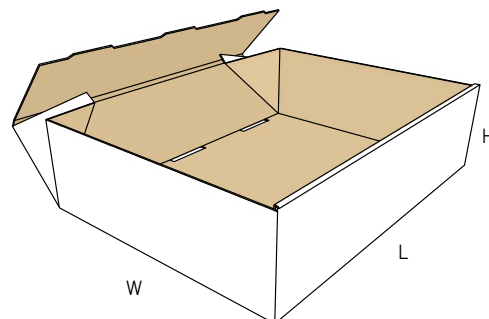
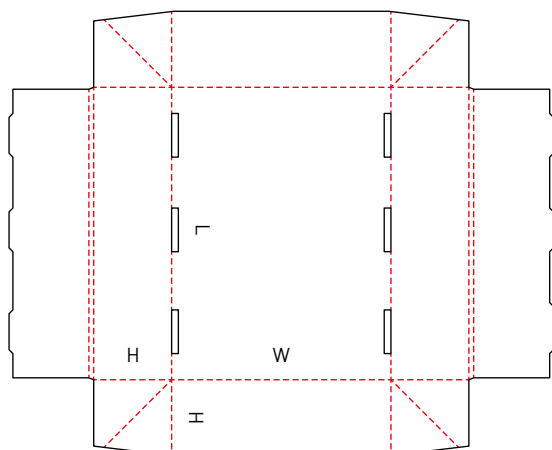


0460 A



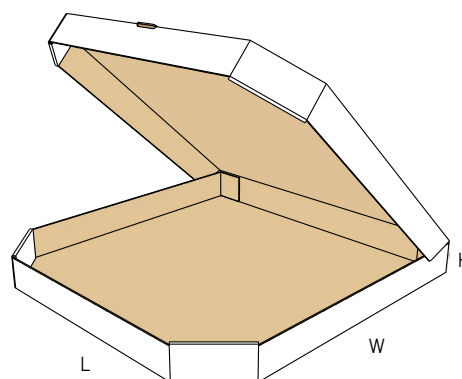
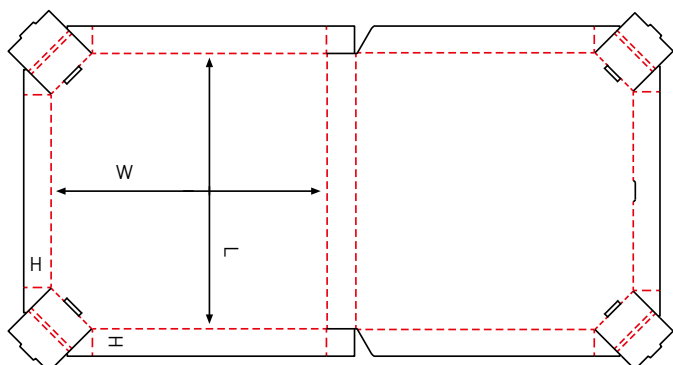
0461 M/A

NEW



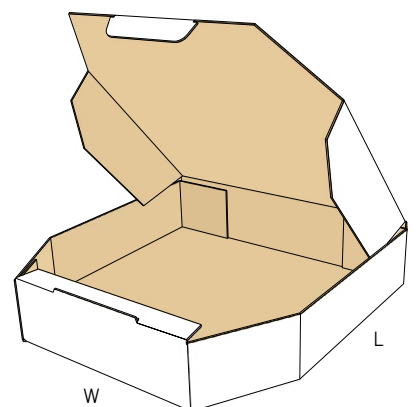
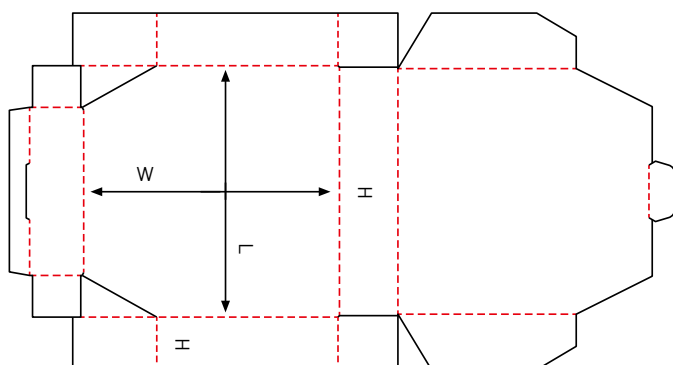
0462 M

NEW



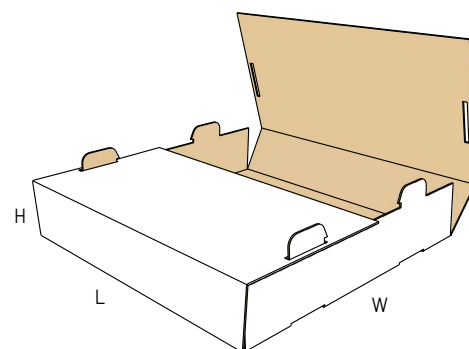
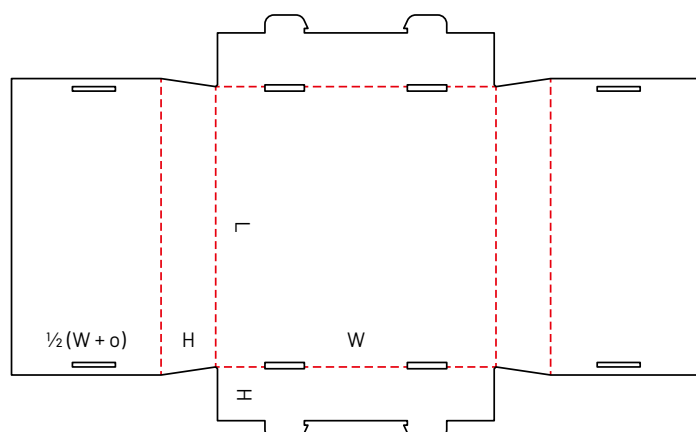
0463 M

NEW



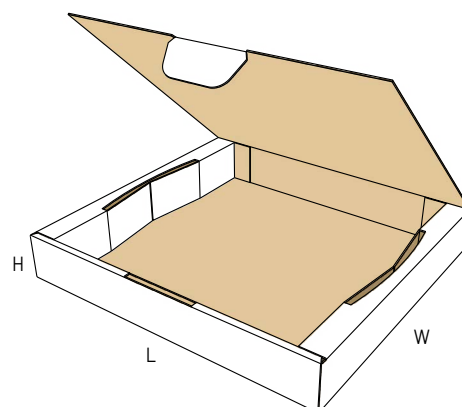
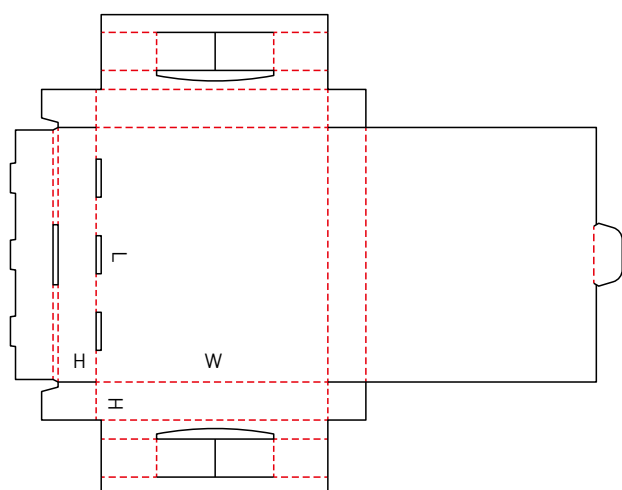
0464 M

NEW



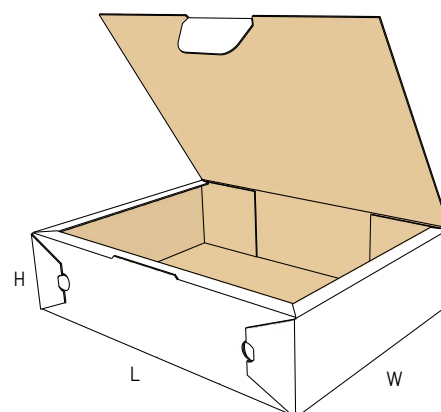
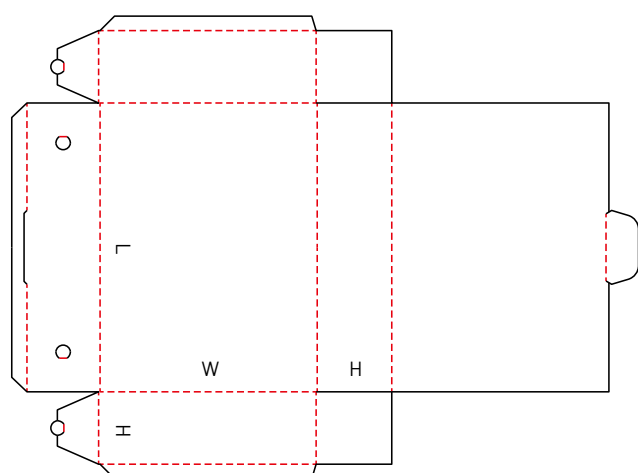
0465 M

NEW



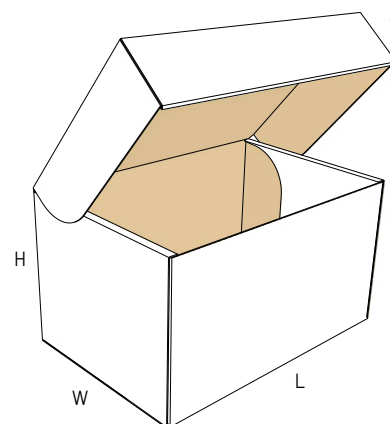
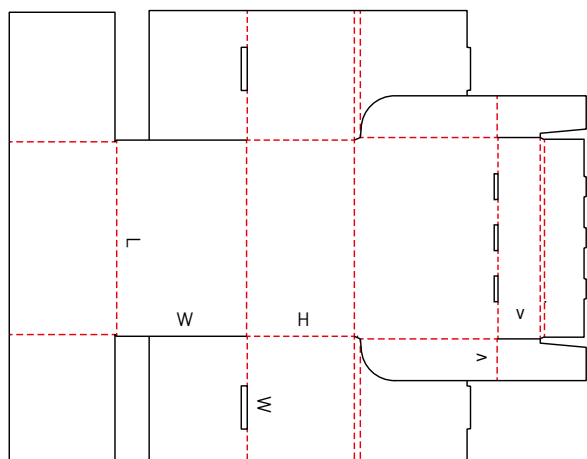
0466 M

NEW

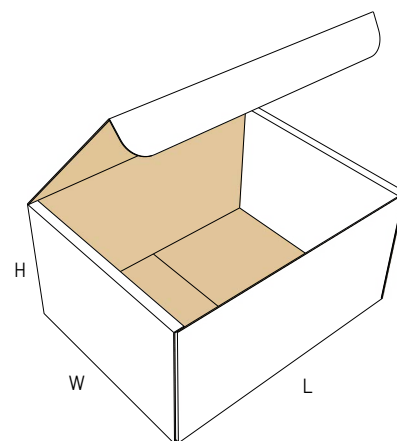
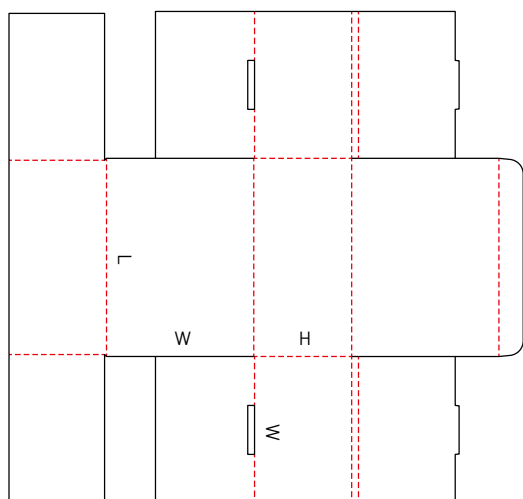


0469 M

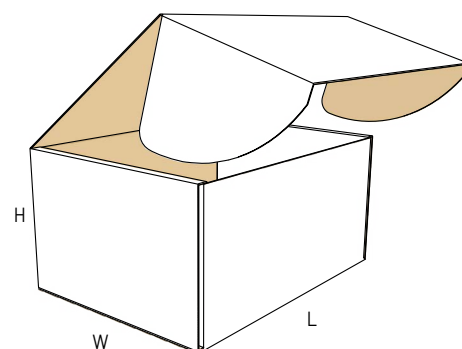
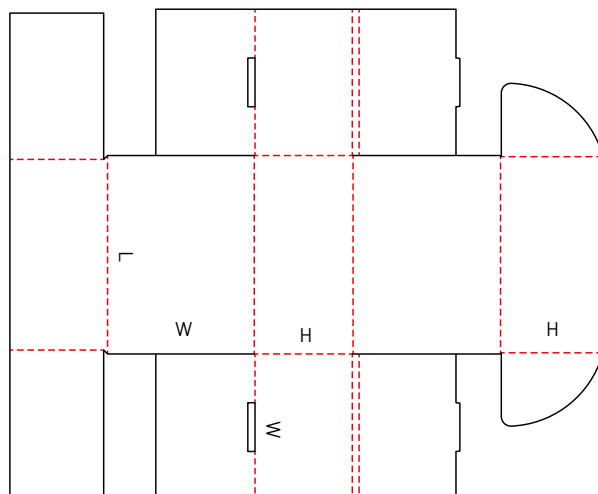
NEW



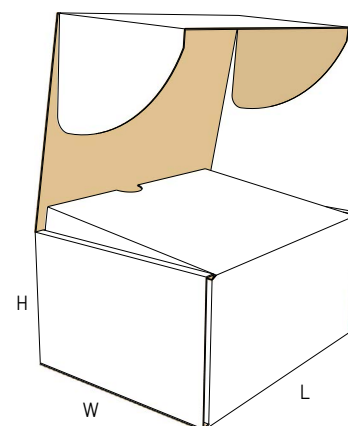
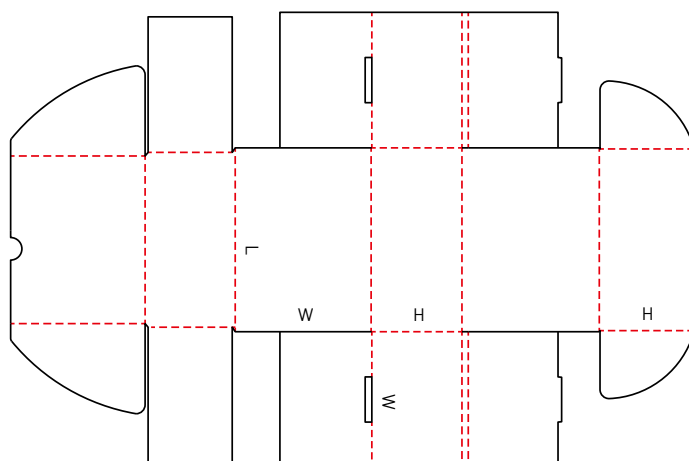
0470 M



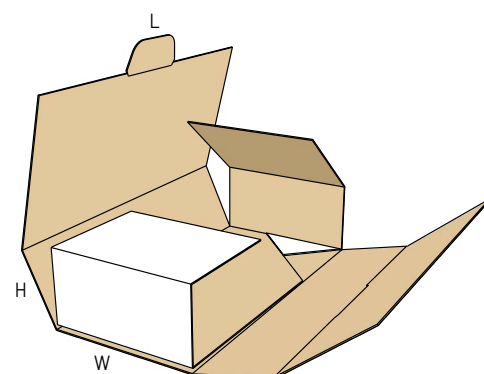
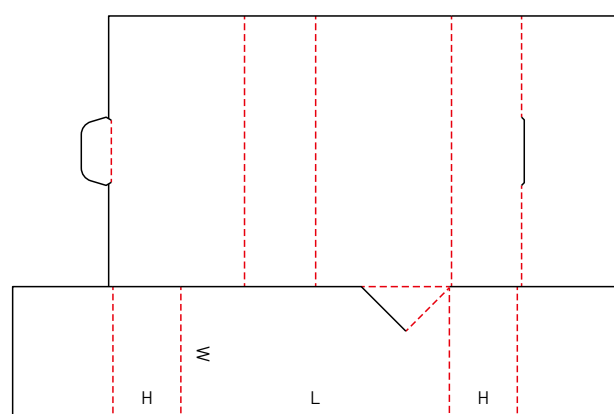
0471 M



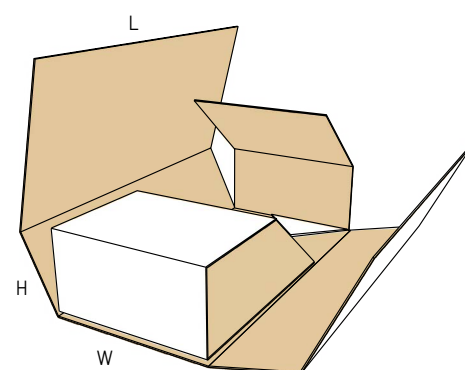
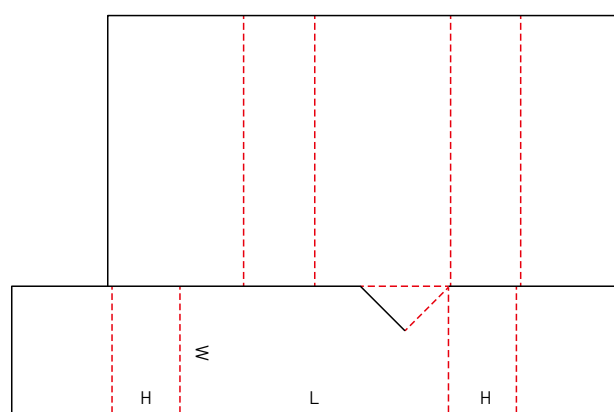
0472 M



0473 M



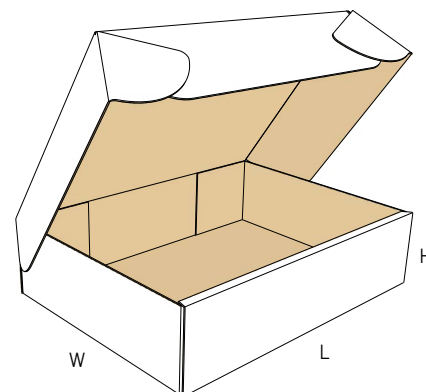
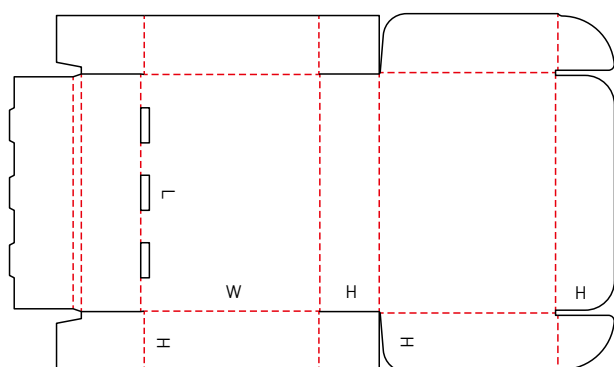
0474 M



NEW

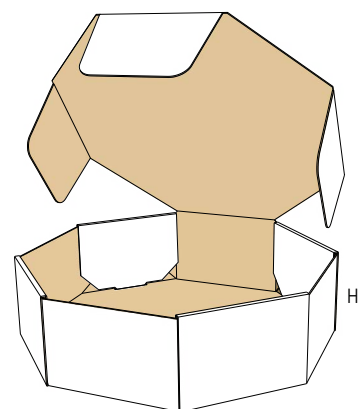
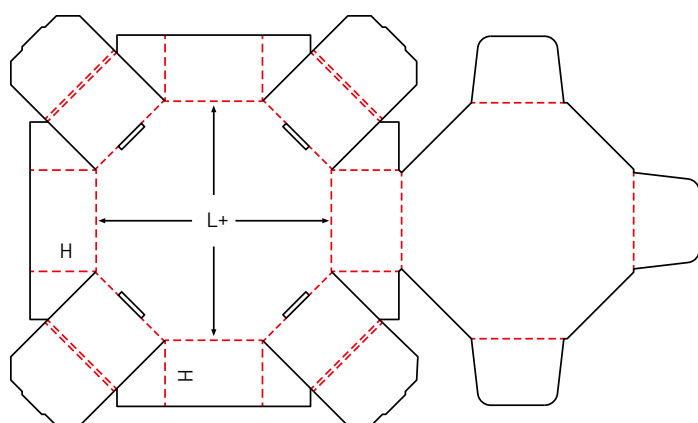
0475 M

NEW

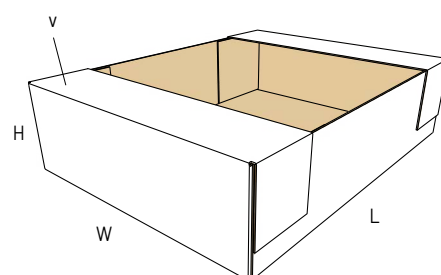
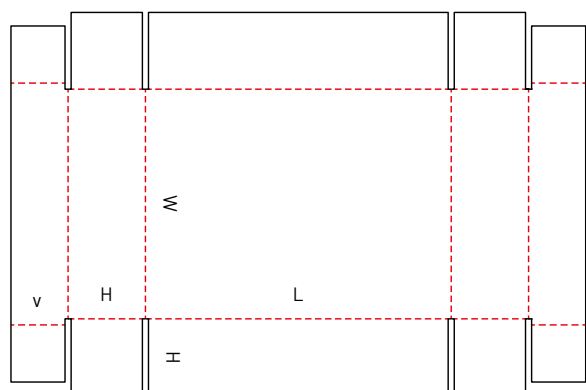


0476 M

NEW

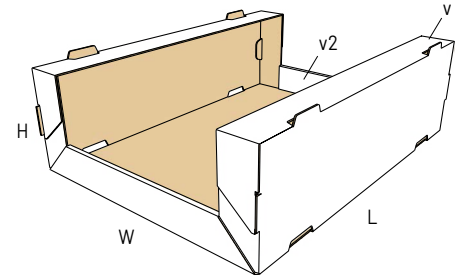
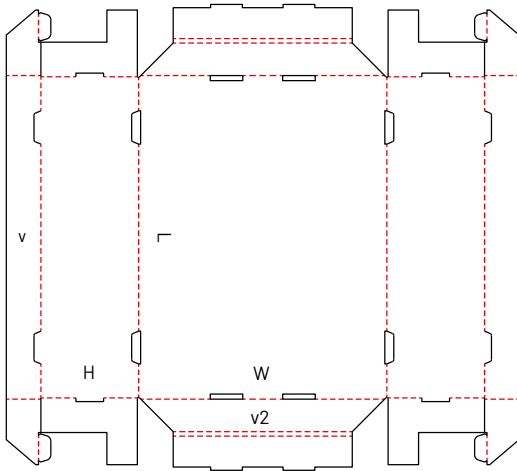


0480 A



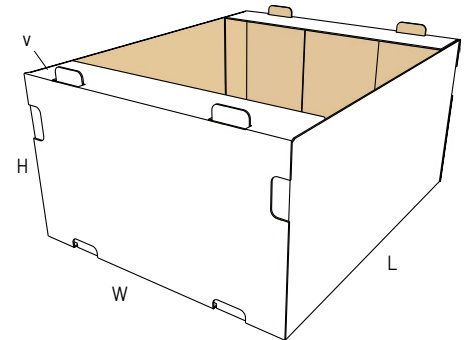
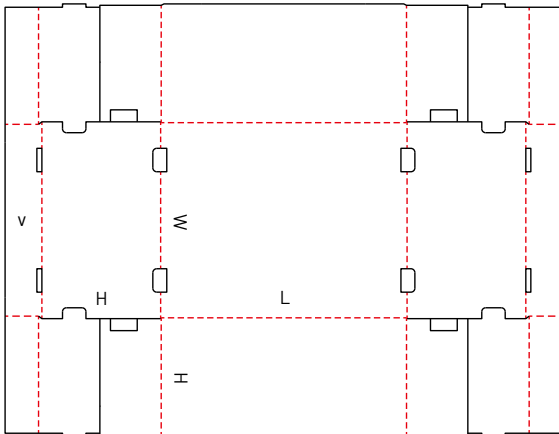
0481 M

NEW



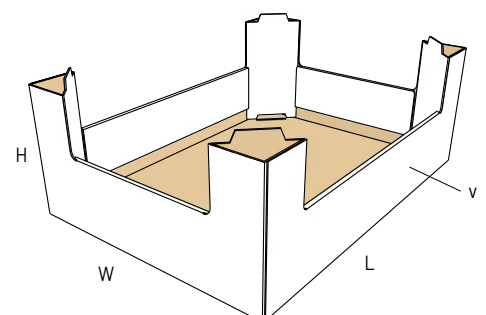
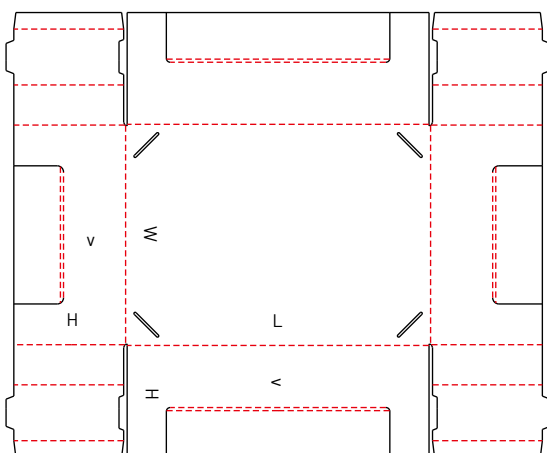
0482 M

NEW



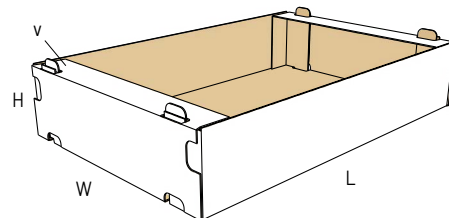
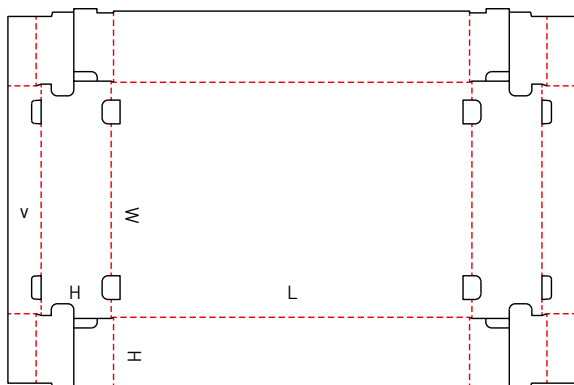
0483 A

NEW



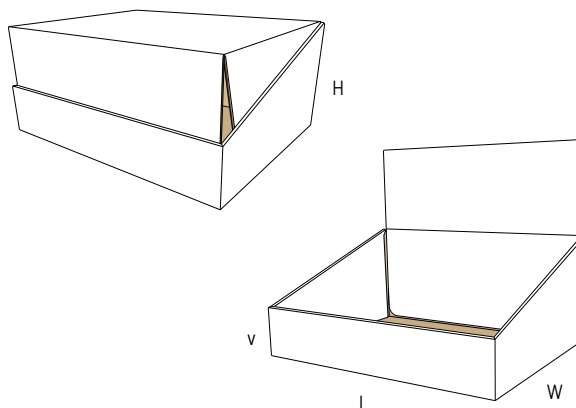
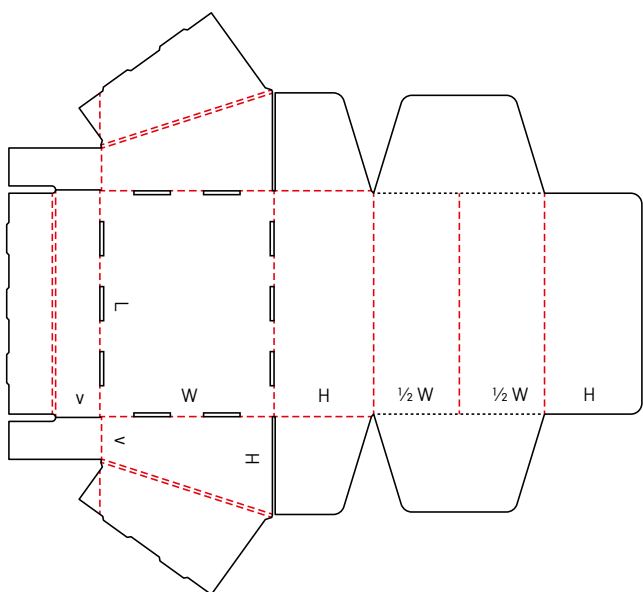
0484 M

NEW



0485 M

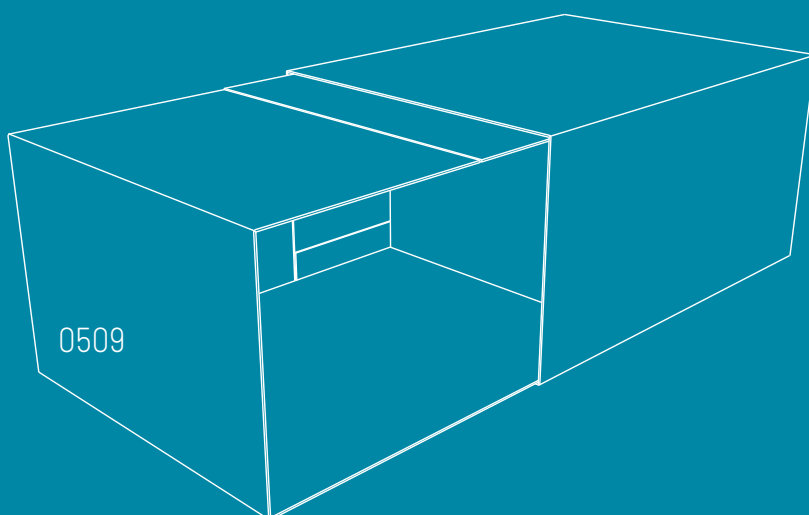
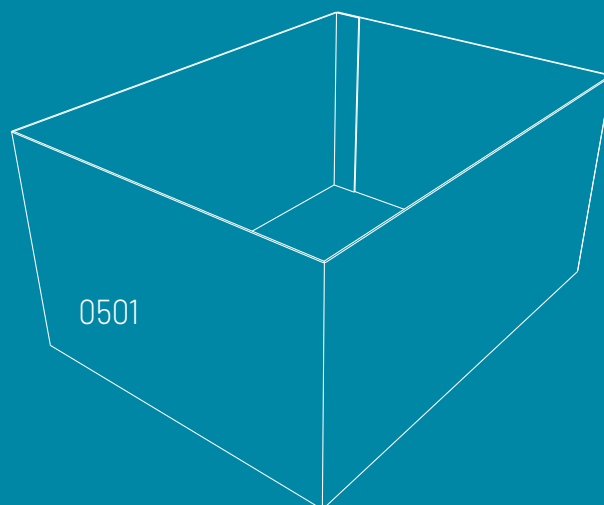
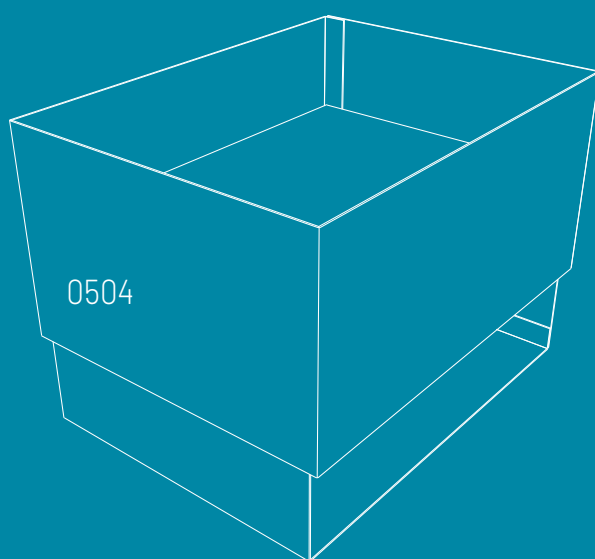
NEW



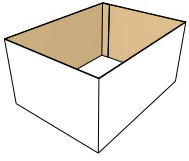
SLIDE BOXES

Slide boxes consist of several pieces of liners and sleeves sliding in different directions into each other.

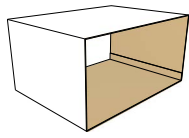
This group also includes outside sleeves for other cases.



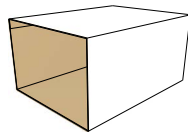
0501 M



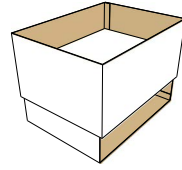
0502 M



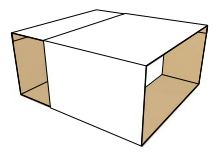
0503 M



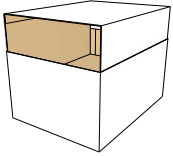
0504 M



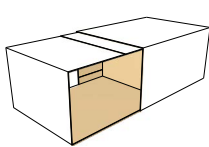
0505 M



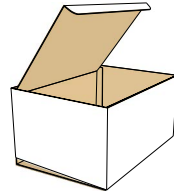
0507 M



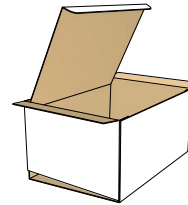
0509 M



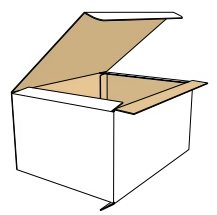
0510 M



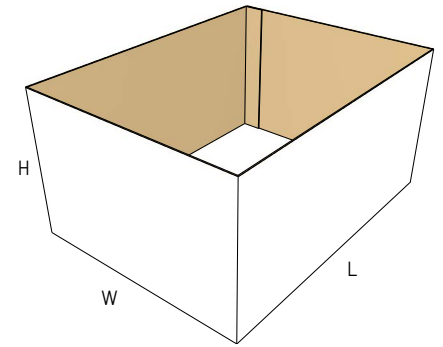
0511 M



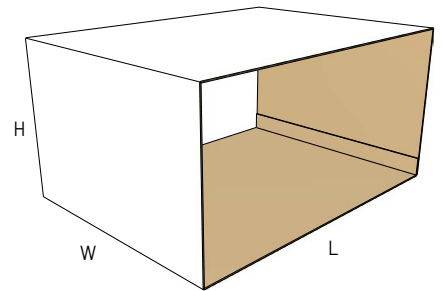
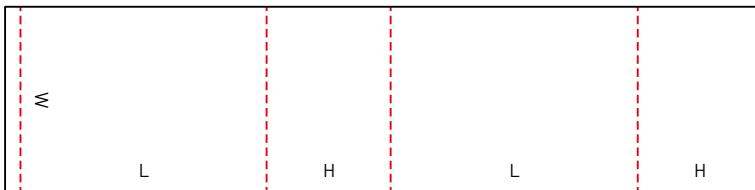
0512 M



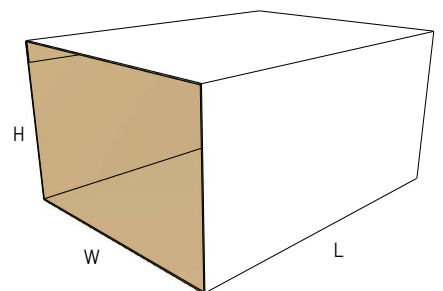
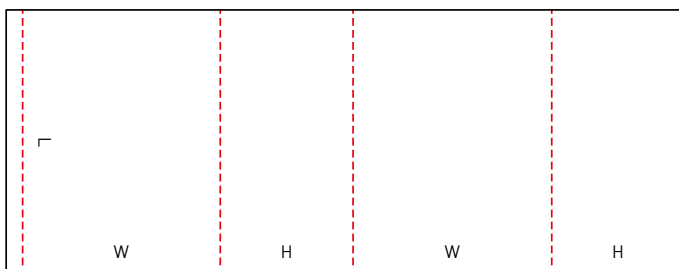
0501 M



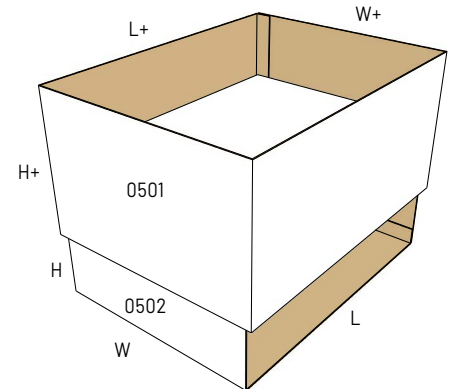
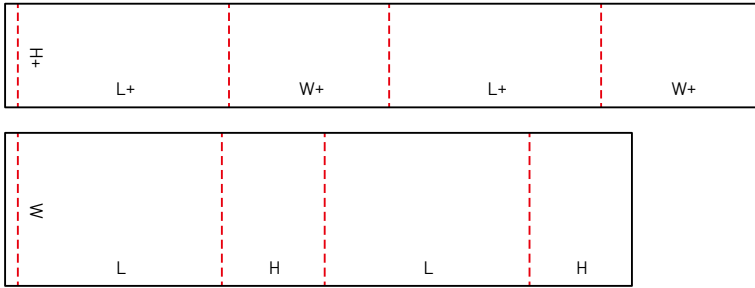
0502 M



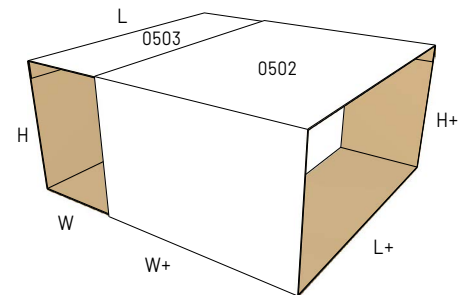
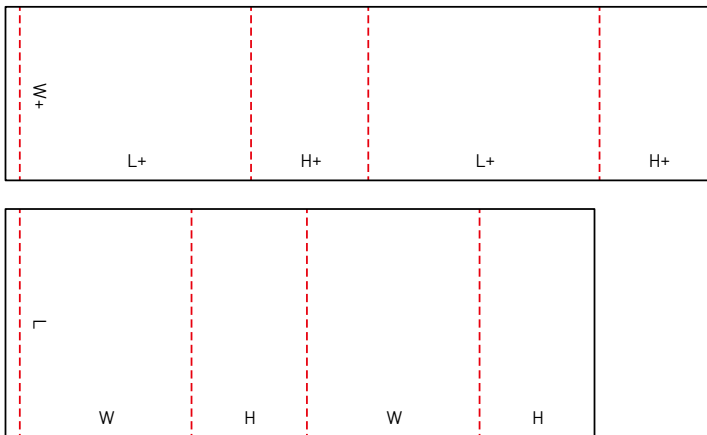
0503 M



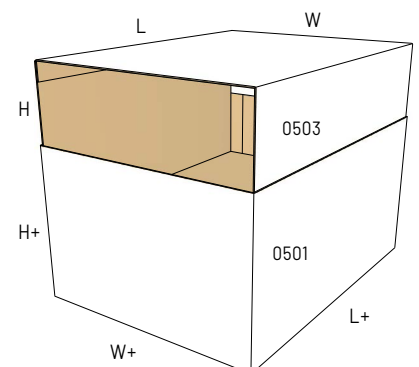
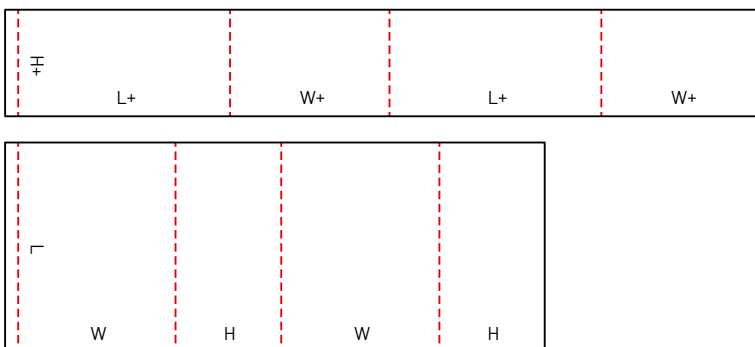
0504 M



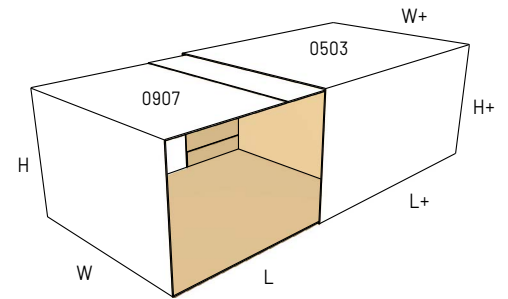
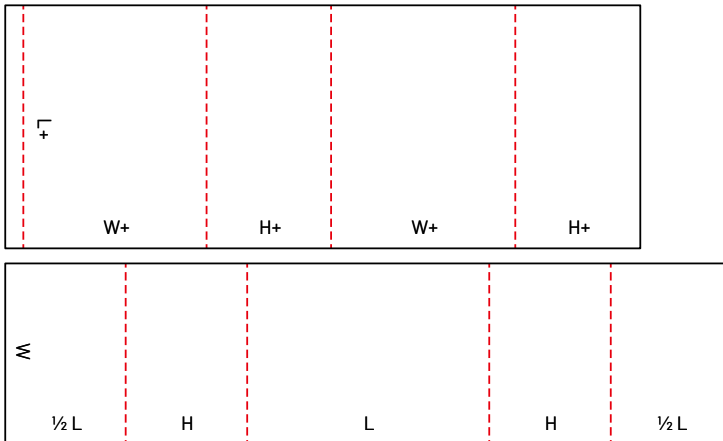
0505 M



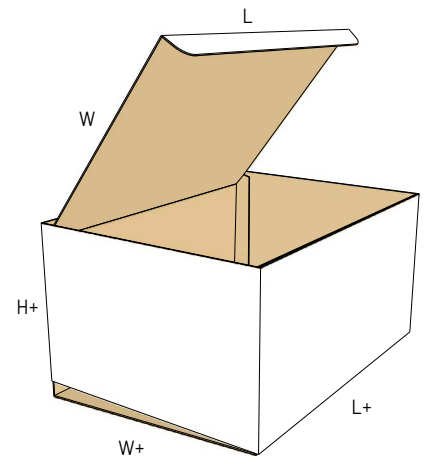
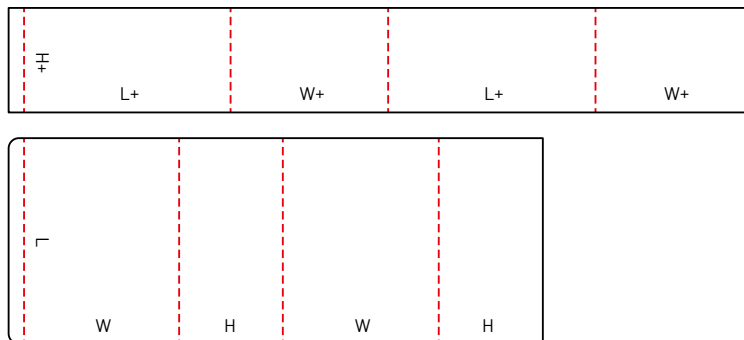
0507 M



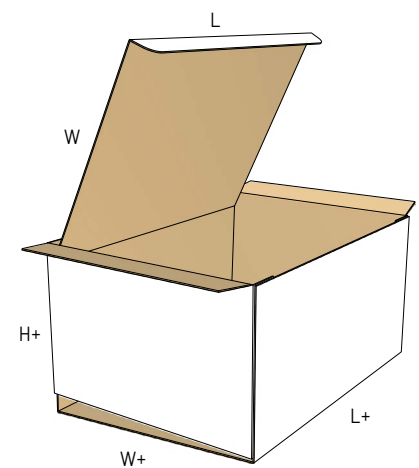
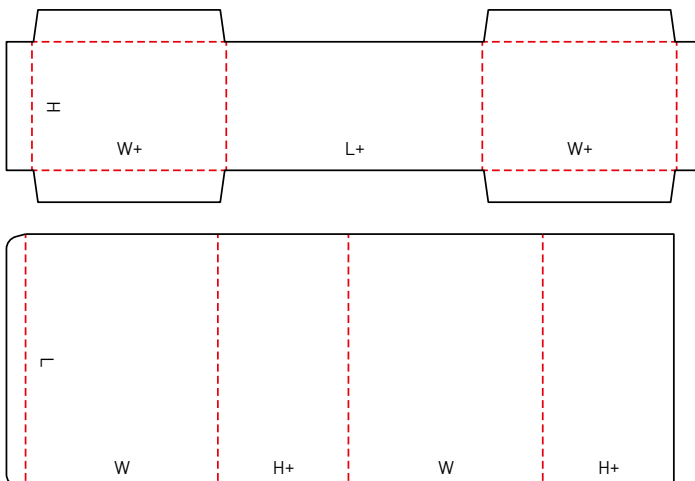
0509 M



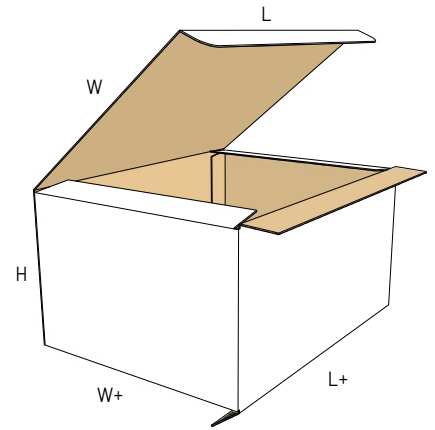
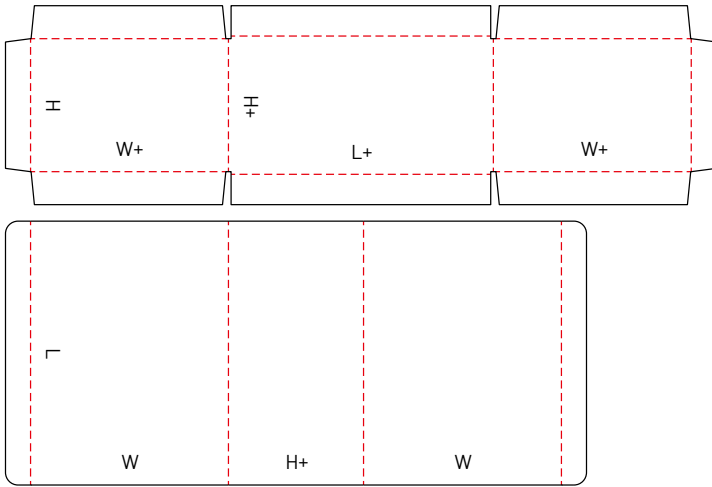
0510 M



0511 M

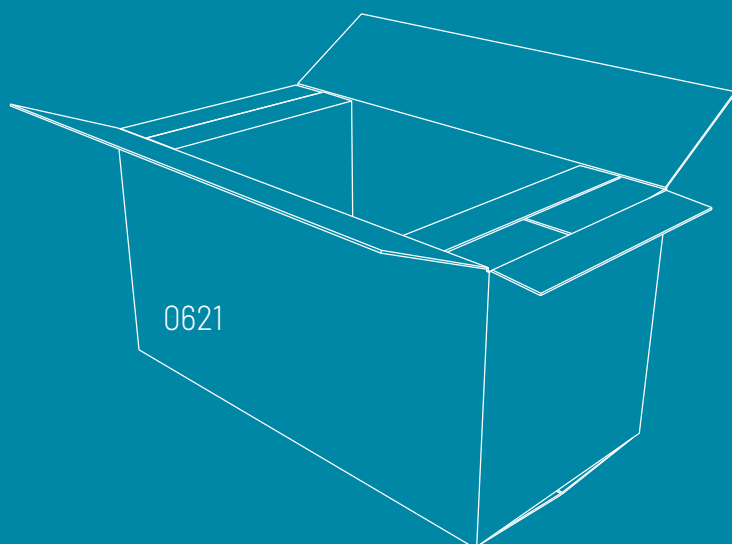
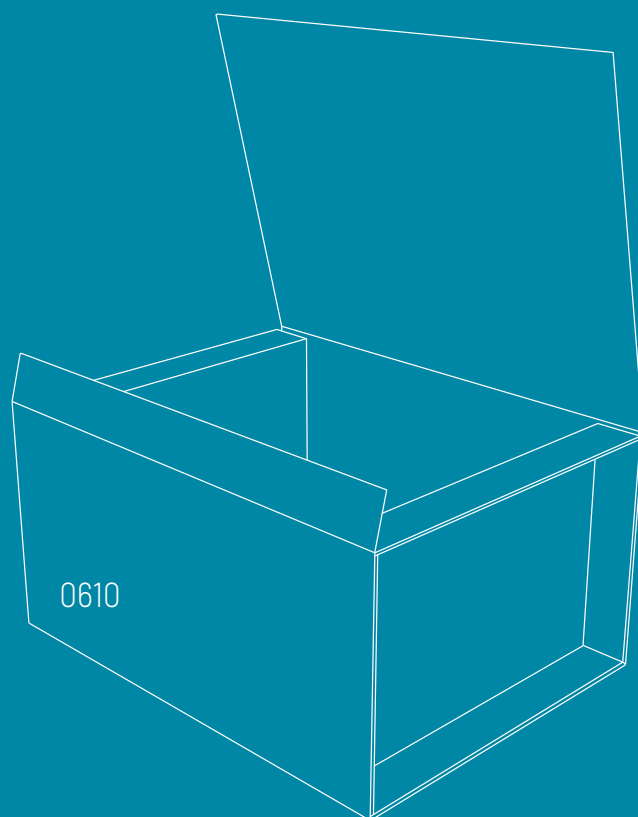
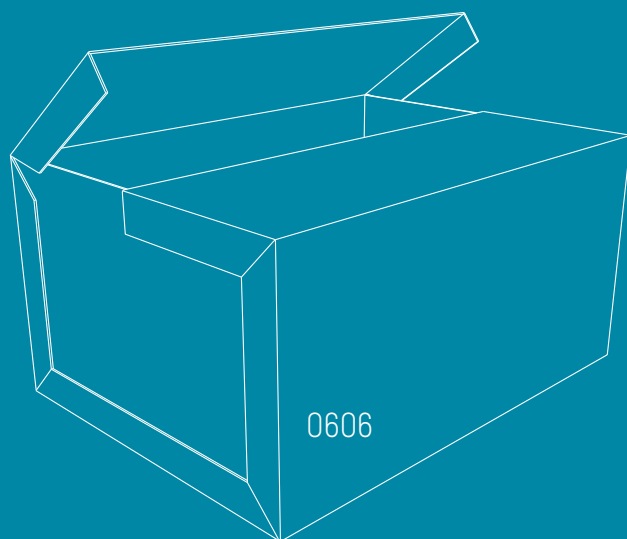


0512 M

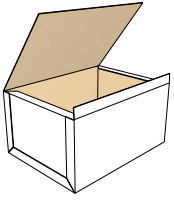


RIGID BOXES

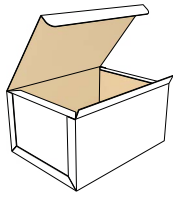
Rigid boxes consist of two separate end pieces and a body that require stitching or a similar operation before they can be used.



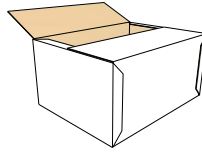
0601 A



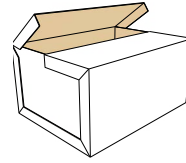
0602 A



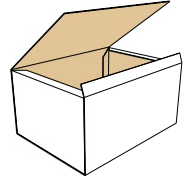
0605 A



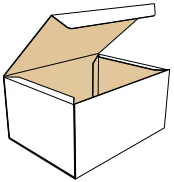
0606 A



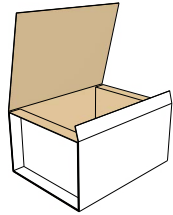
0607 A



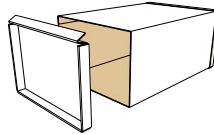
0608 A



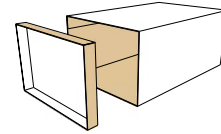
0610 M/A



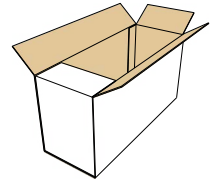
0615 M/A



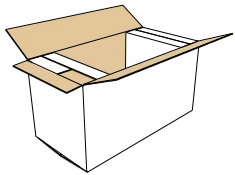
0616 M/A



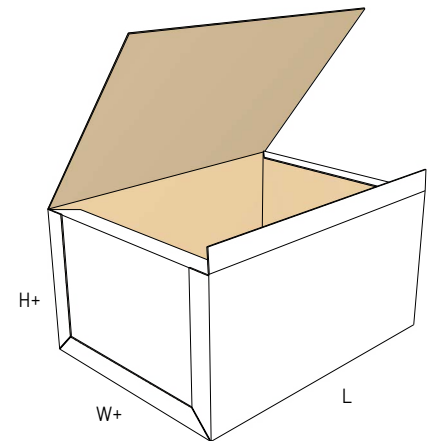
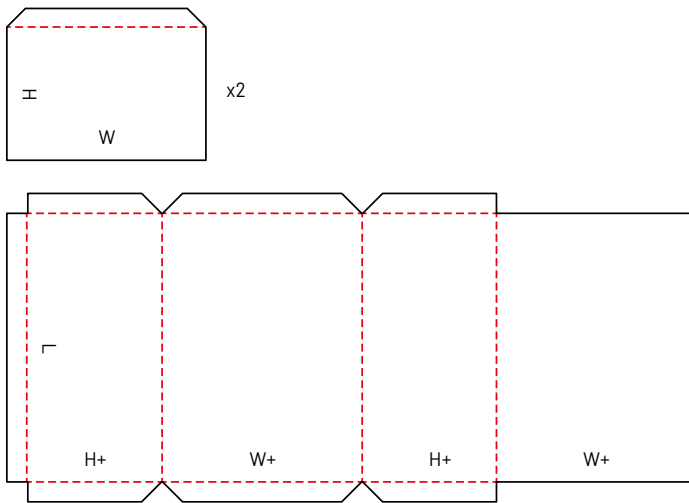
0620 A



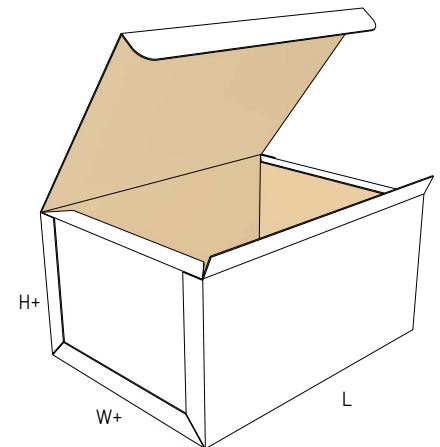
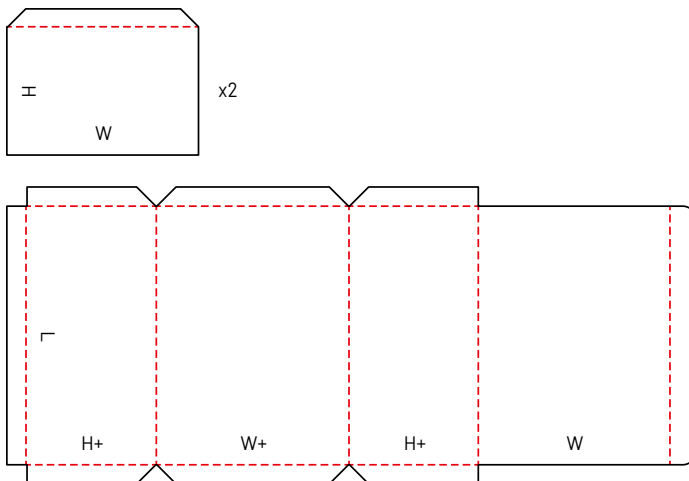
0621 M



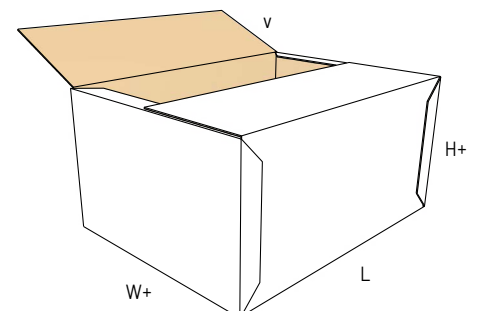
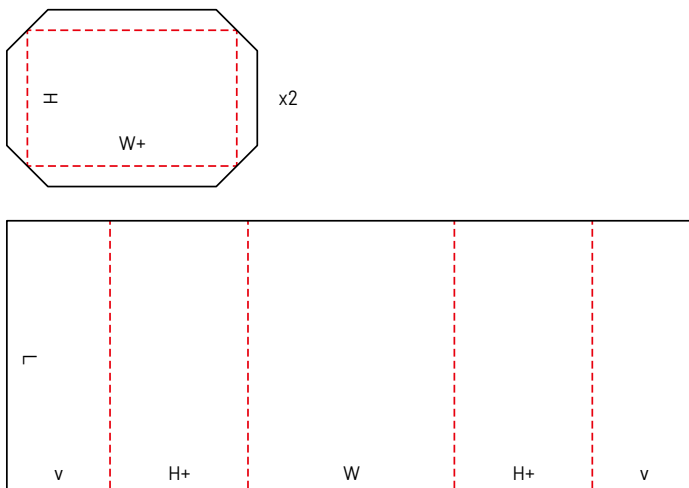
0601 A



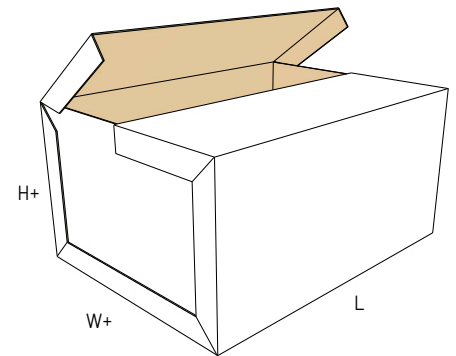
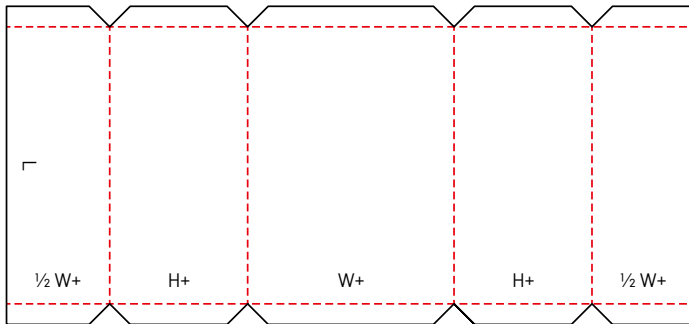
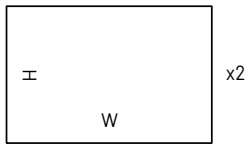
0602 A



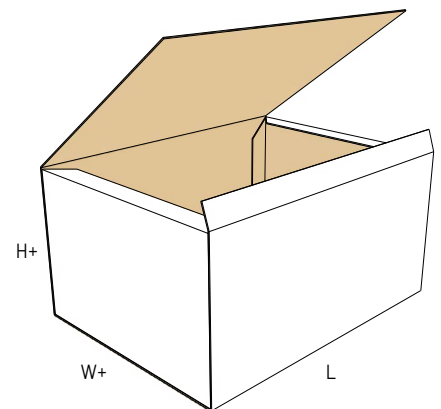
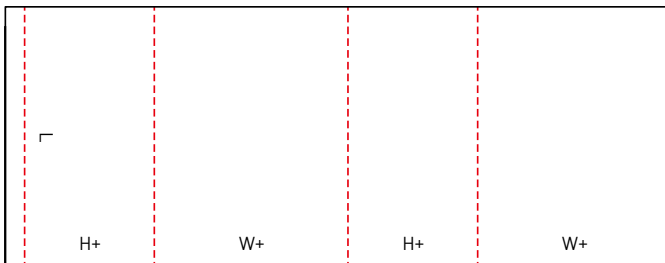
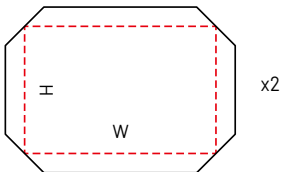
0605 A



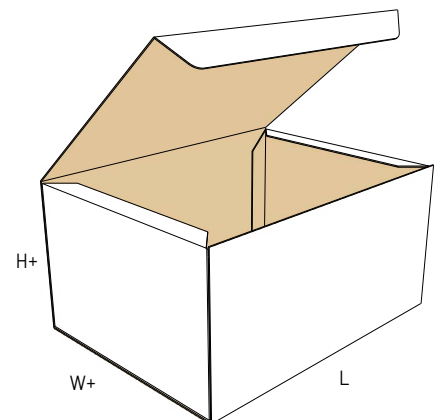
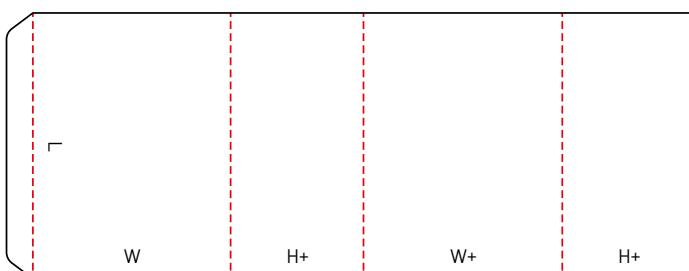
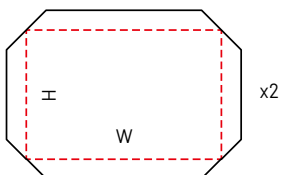
0606 A



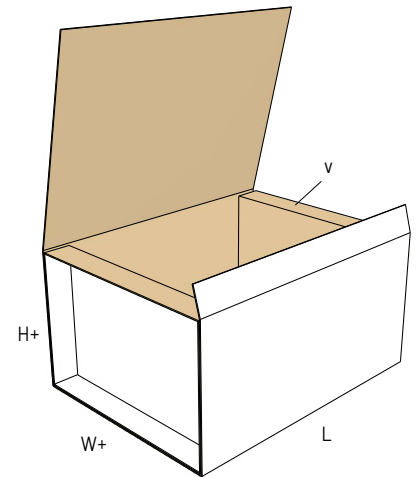
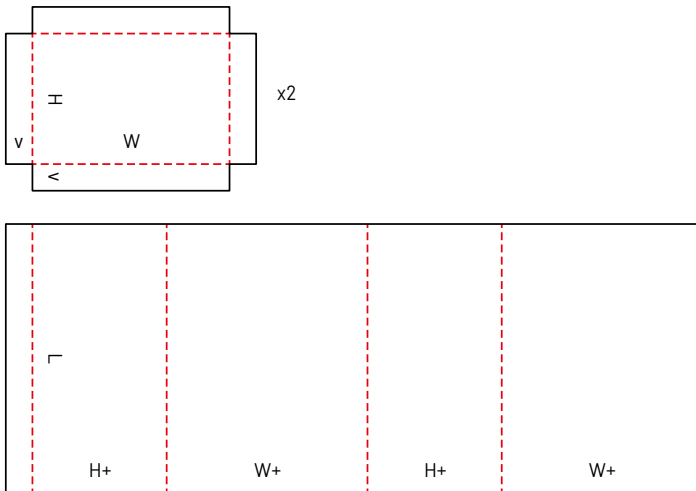
0607 A



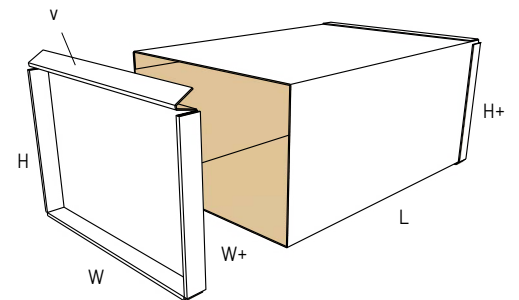
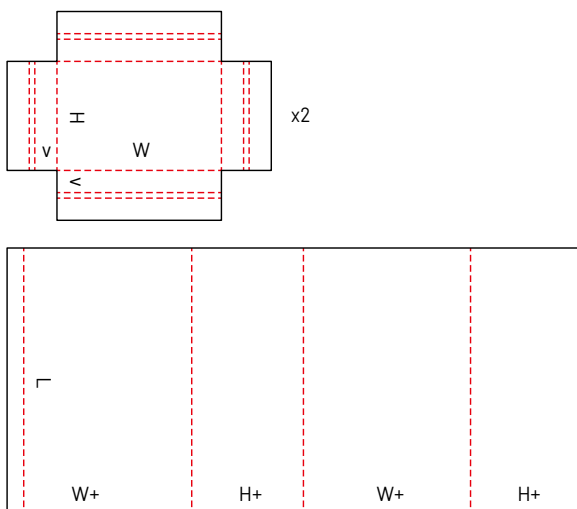
0608 A



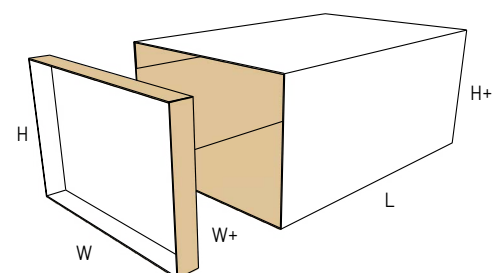
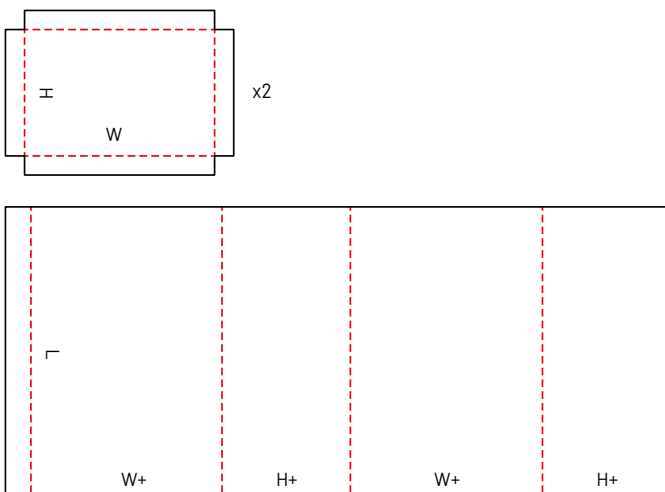
0610 M/A



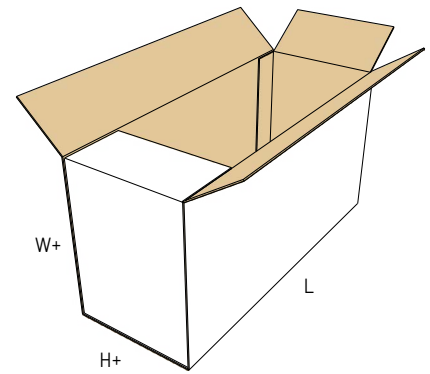
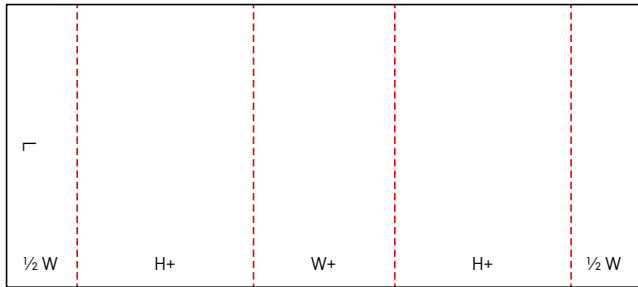
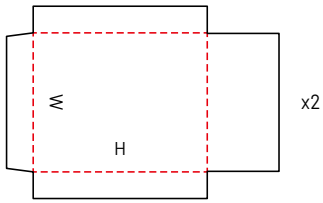
0615 M/A



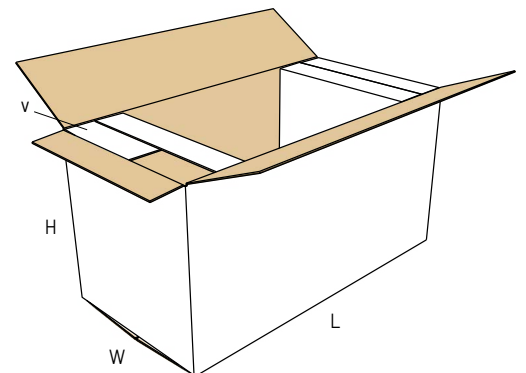
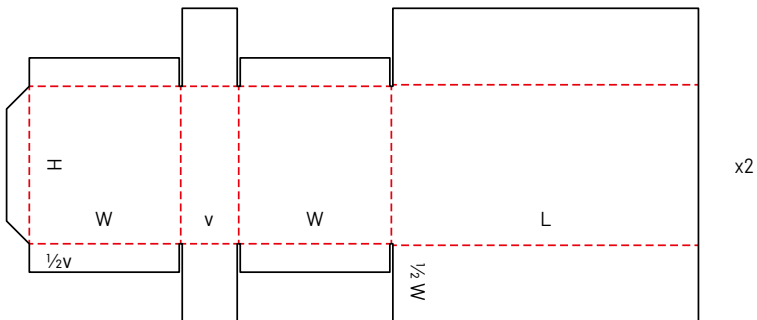
0616 M/A



0620 A

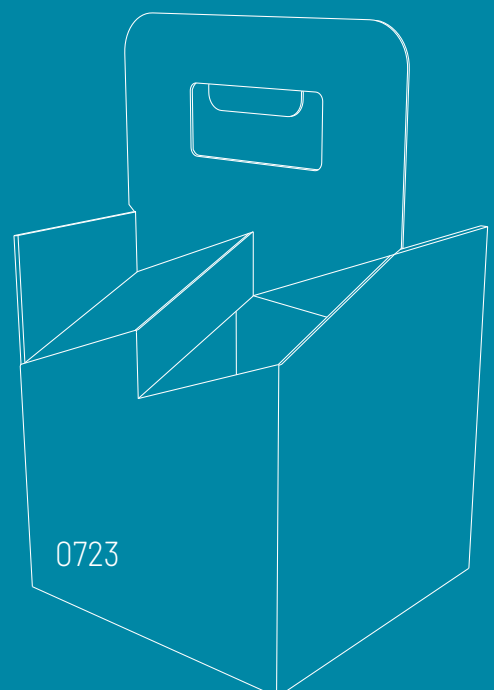
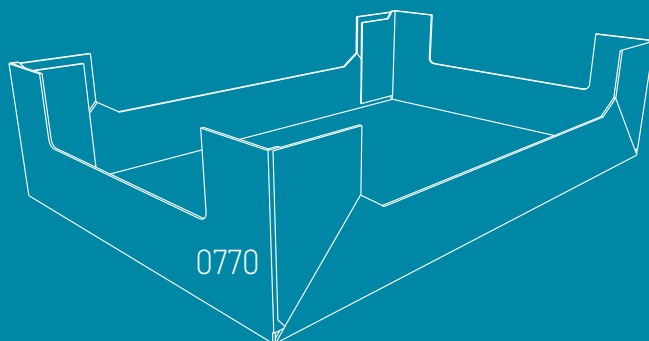
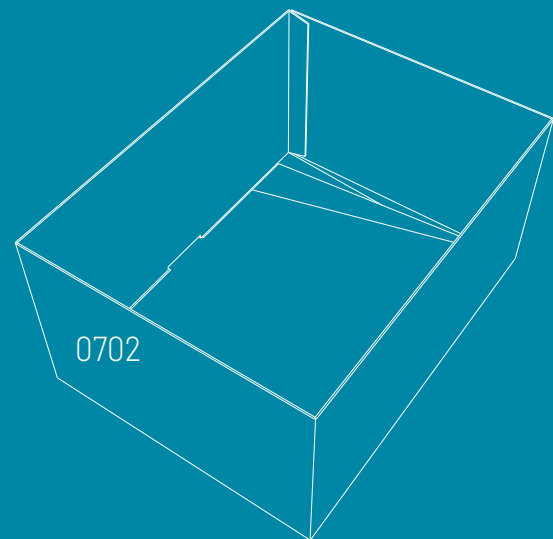
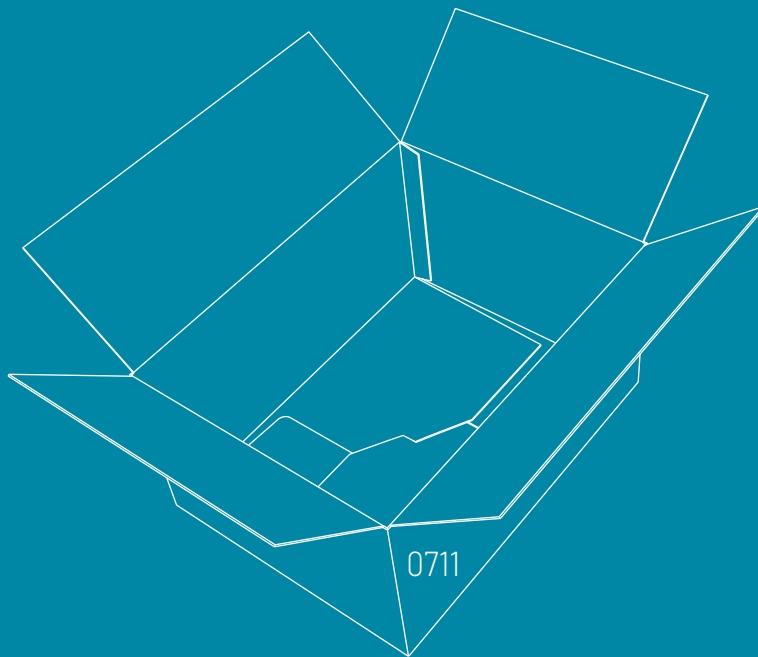


0621 M

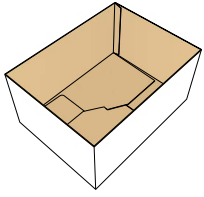


READY-GLUED CASES

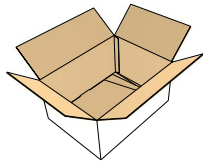
Ready-glued cases consist of basically one piece, are shipped flat and ready to use by simple assembly.



0700 M

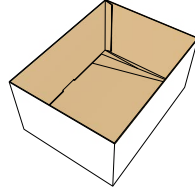


0701 M

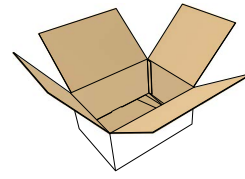


0702 M

NEW

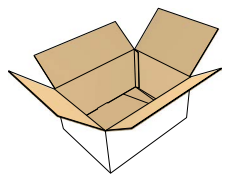


0703 M



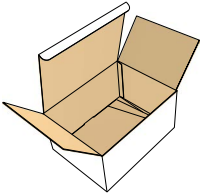
0704 M

NEW



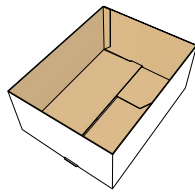
0705 M

NEW



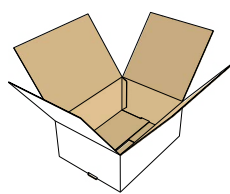
0706 M

NEW



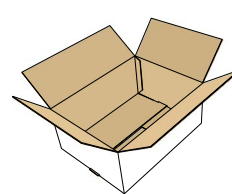
0707 M

NEW



0708 M

NEW



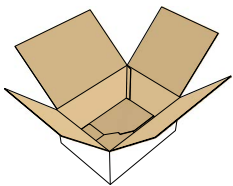
0709 M

NEW

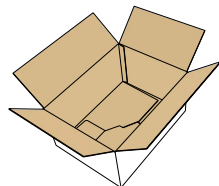


0710 M

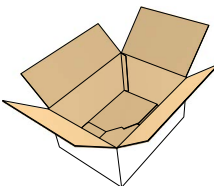
NEW



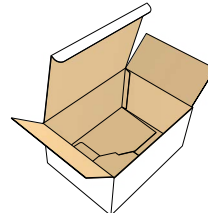
0711 M



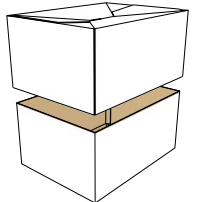
0712 M



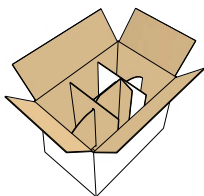
0713 M



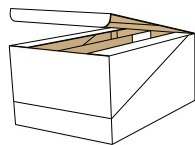
0714 M



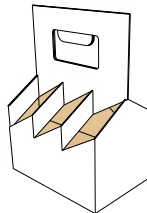
0715 M



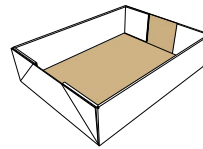
0716 M



0717 M

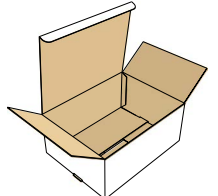


0718 M



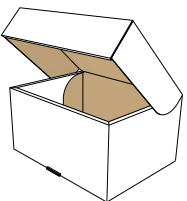
0719 M

NEW



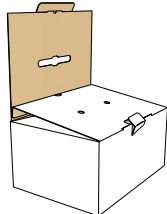
0720 M

NEW



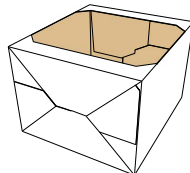
0721 M

NEW



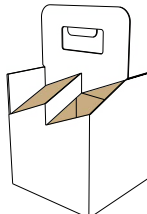
0722 M

NEW



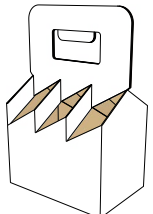
0723 M

NEW



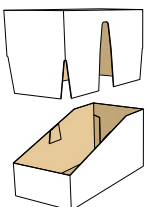
0724 M

NEW



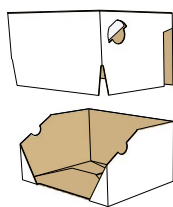
0725 M

NEW



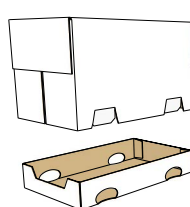
0726 M

NEW



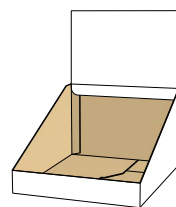
0727 A

NEW



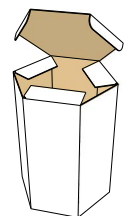
0728 M

NEW

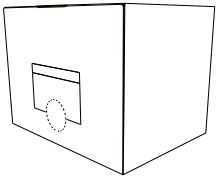


0730 M

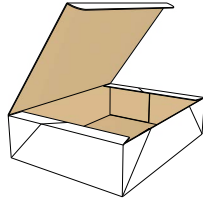
NEW



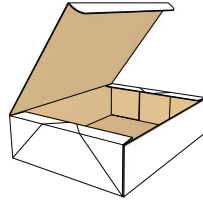
0740 M
NEW



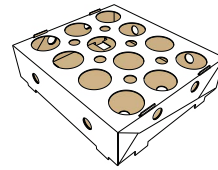
0747 M



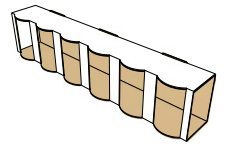
0748 M



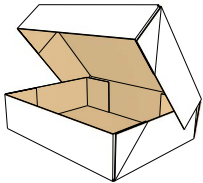
0751 M



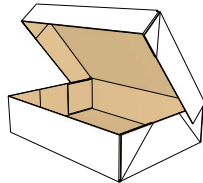
0752 M



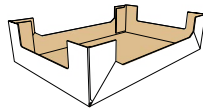
759 M



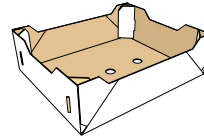
0761 M



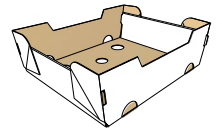
0770 M



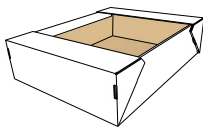
0771 M



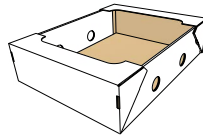
0772 M



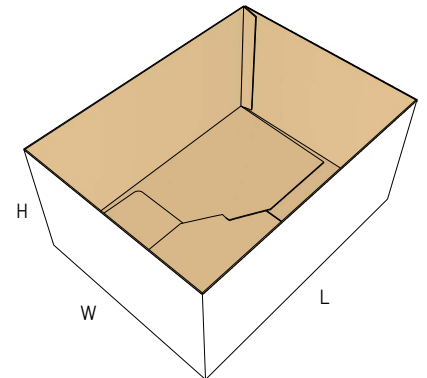
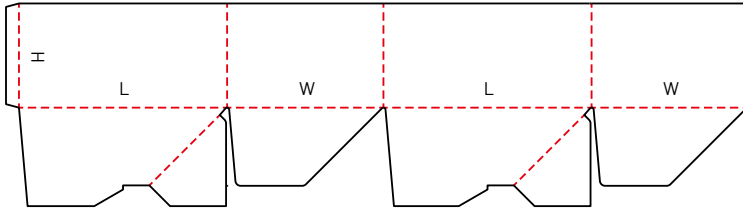
0773 M



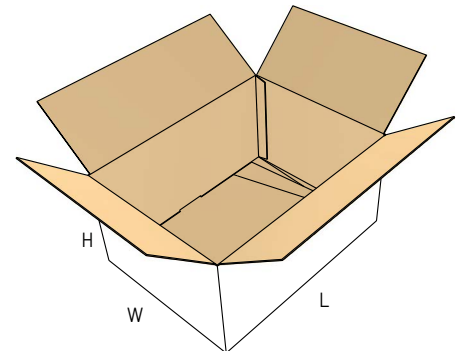
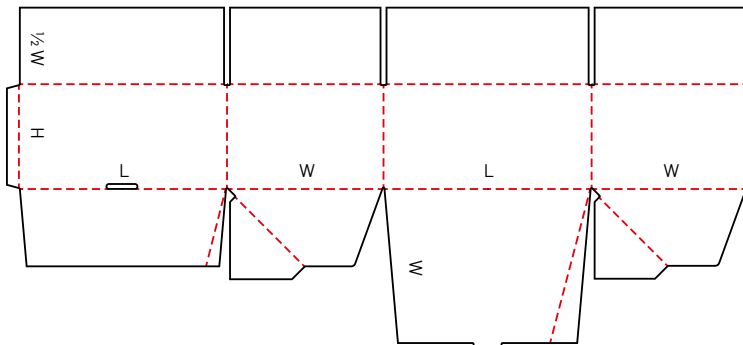
0774 M



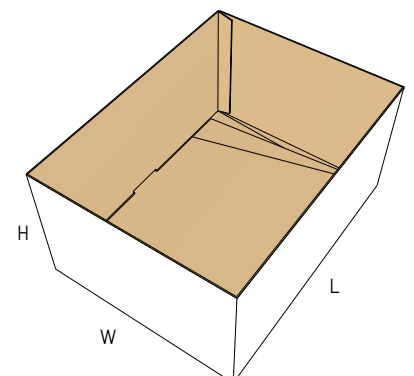
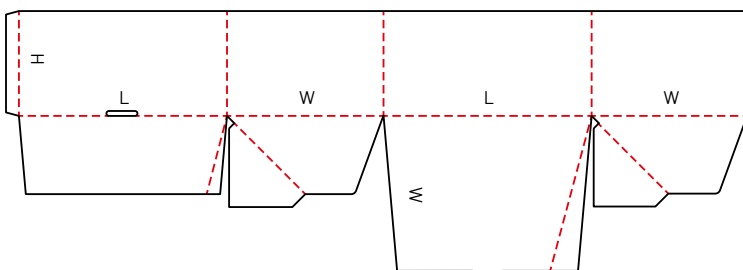
0700 M



0701 M

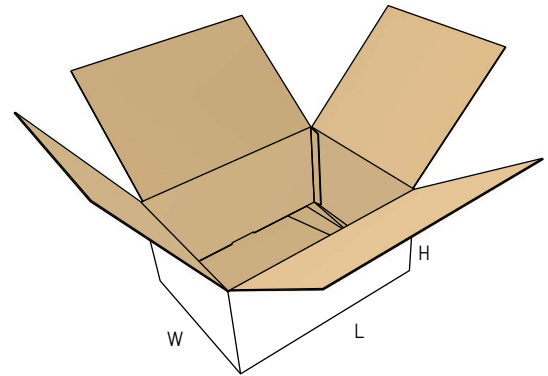
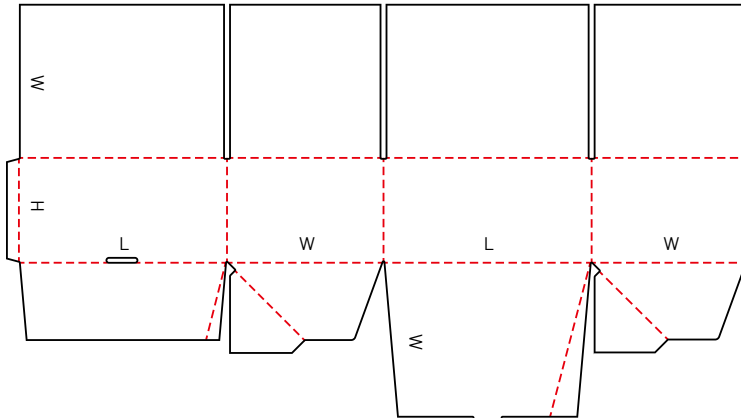


0702 M



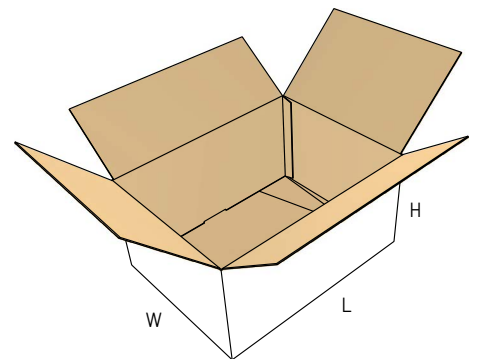
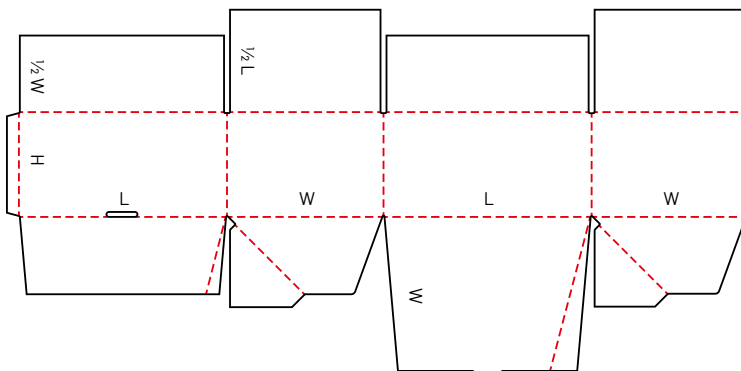
NEW

0703 M



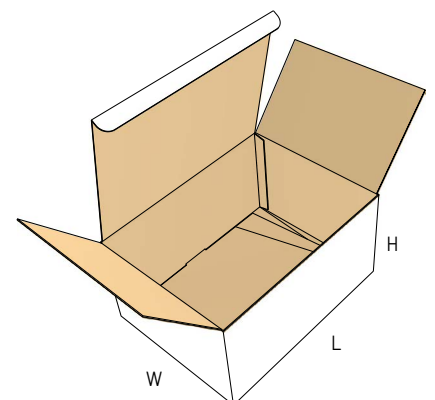
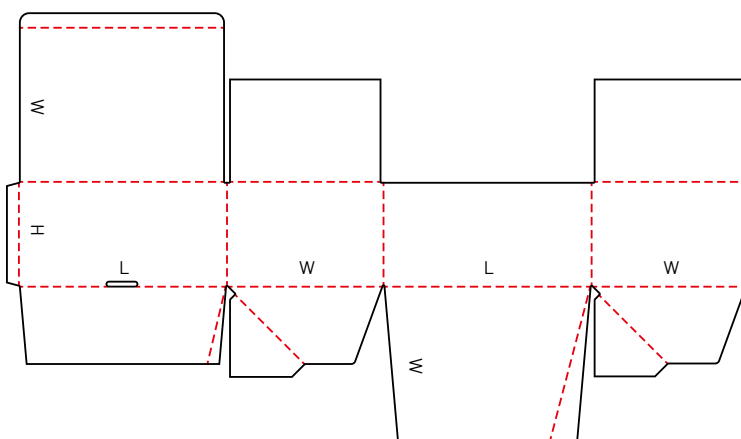
0704 M

NEW



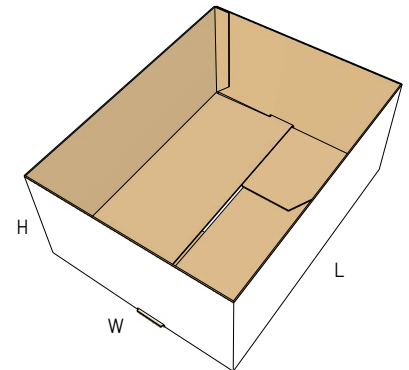
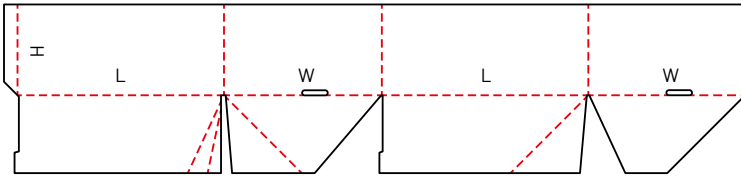
0705 M

NEW



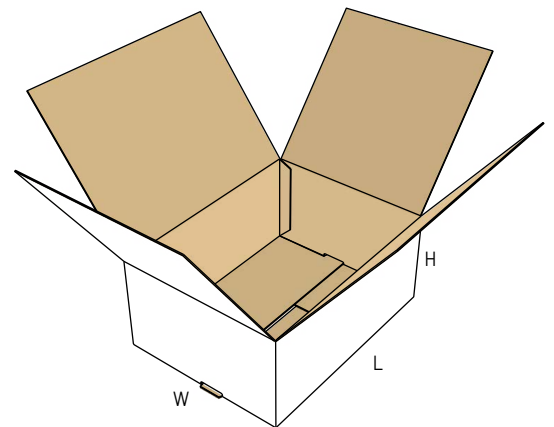
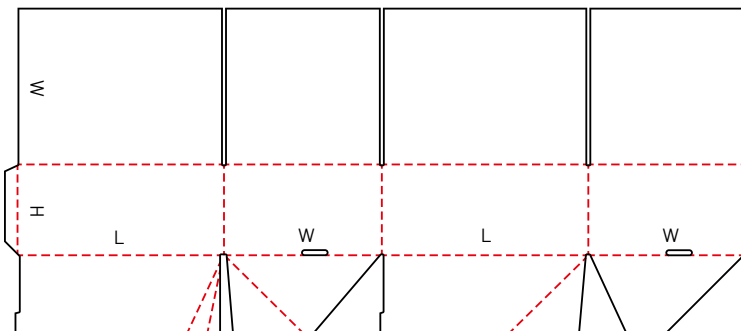
0706 M

NEW



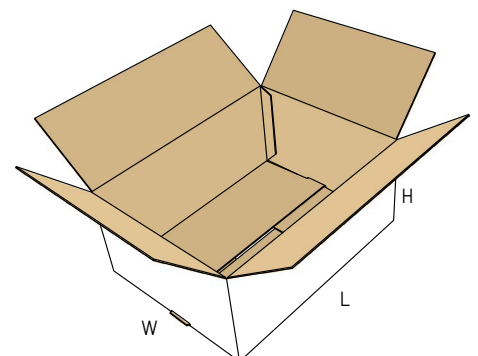
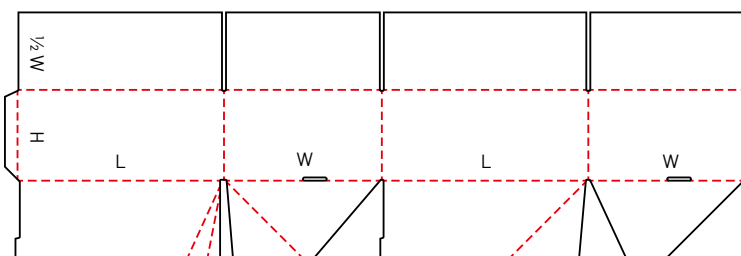
0707 M

NEW



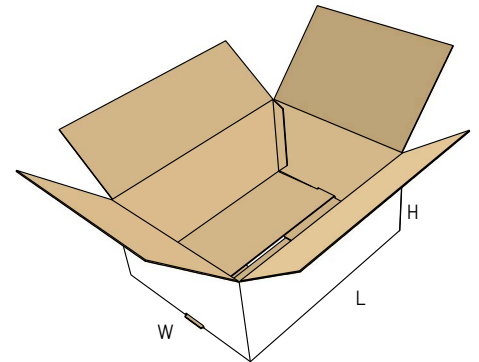
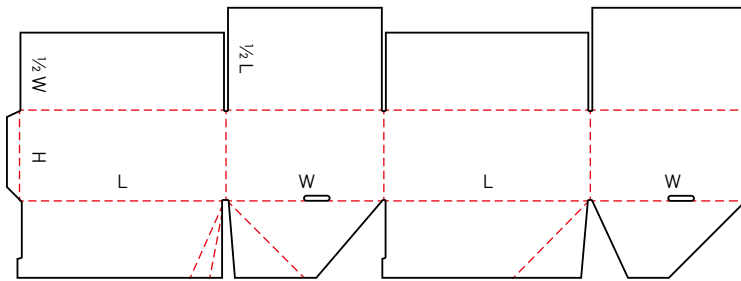
0708 M

NEW



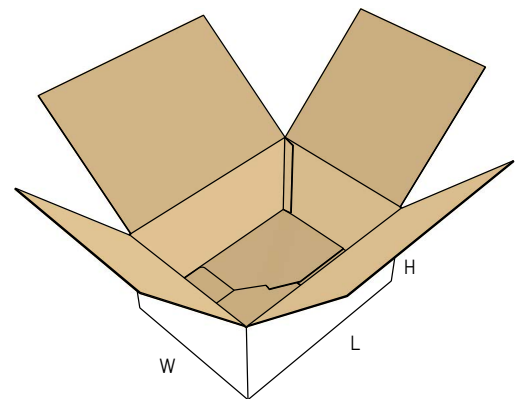
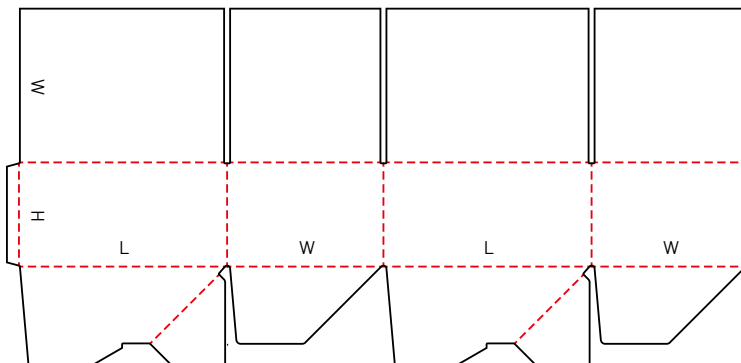
0709 M

NEW

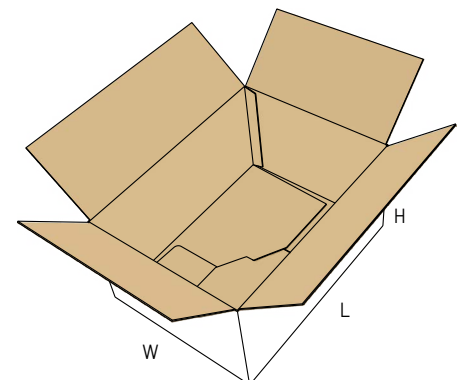
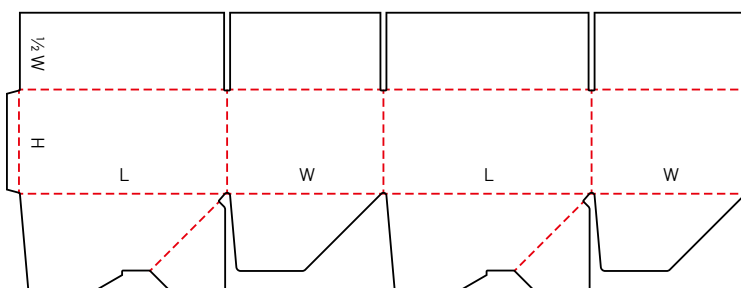


0710 M

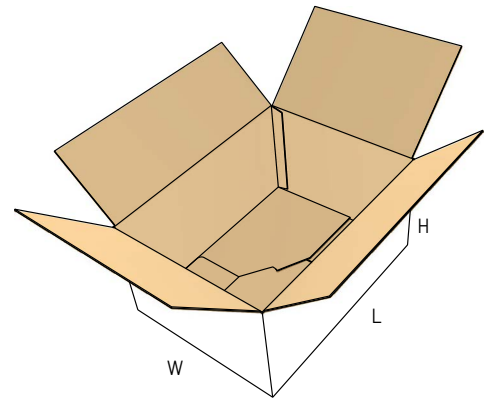
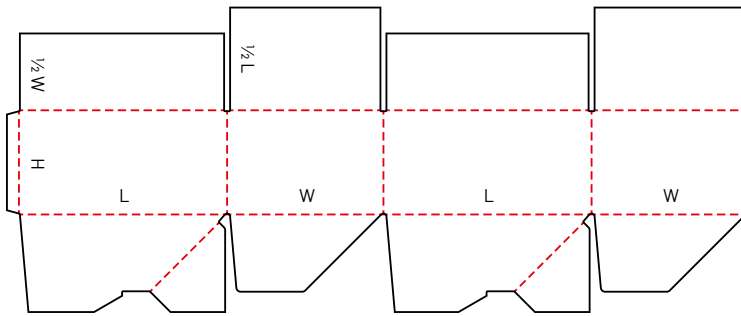
NEW



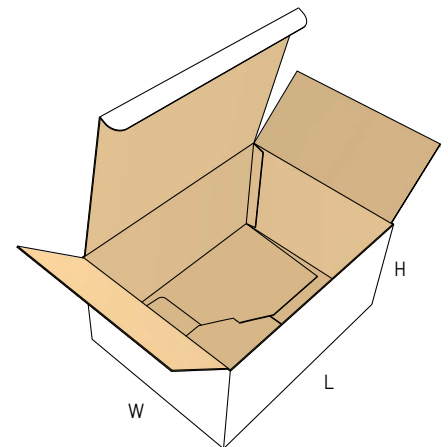
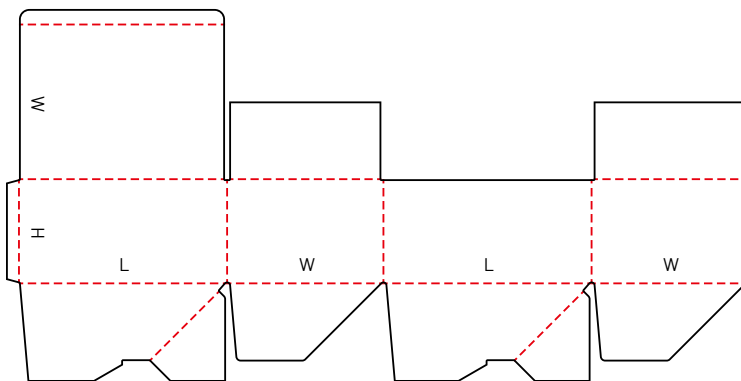
0711 M



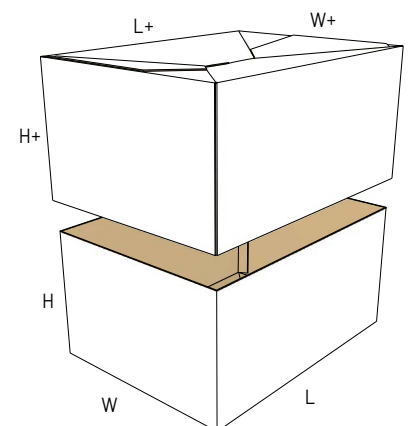
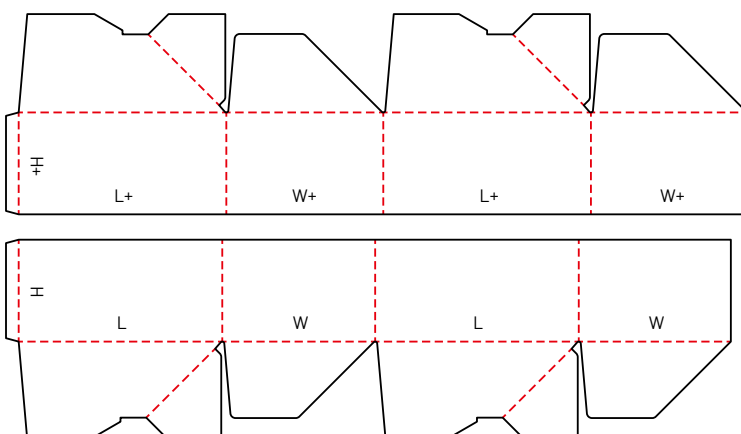
0712 M



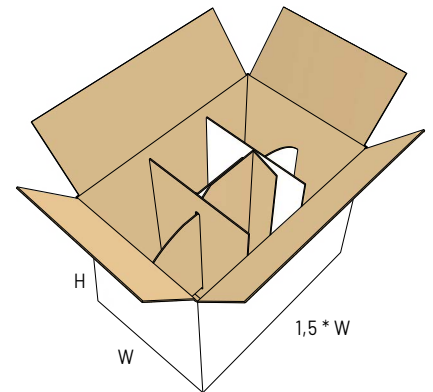
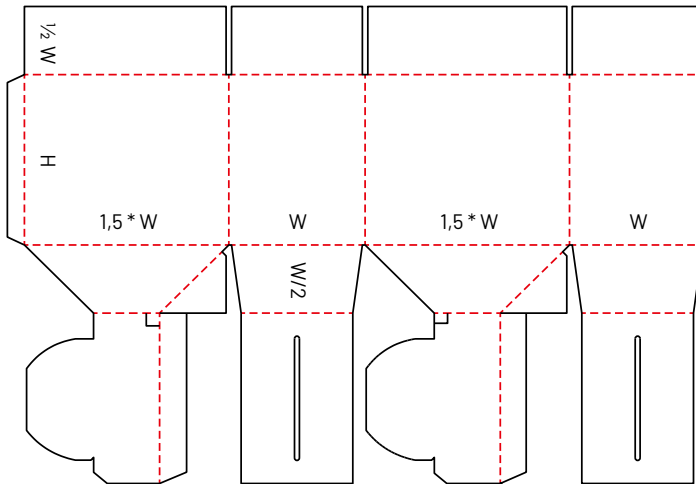
0713 M



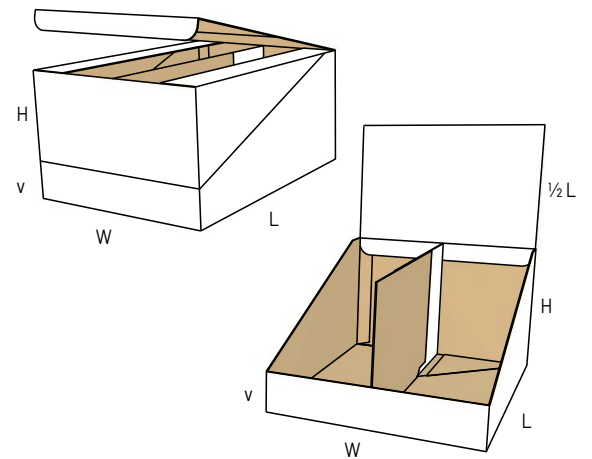
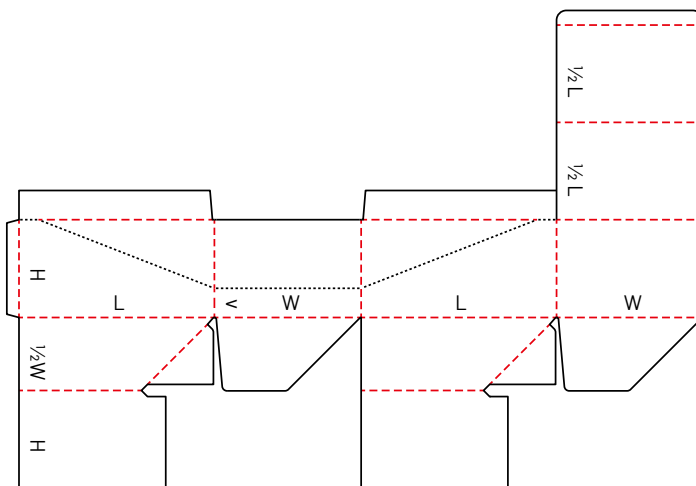
0714 M



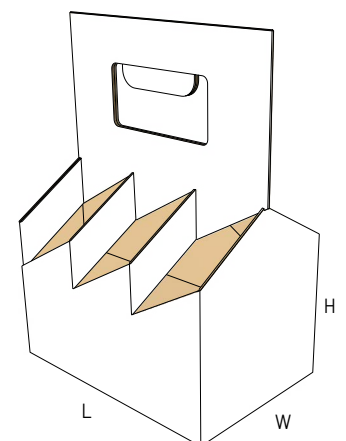
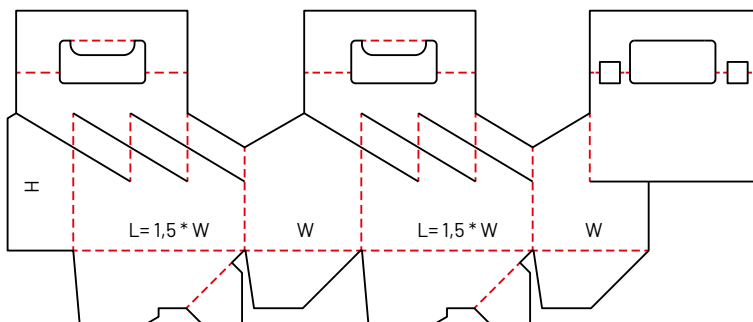
0715 M



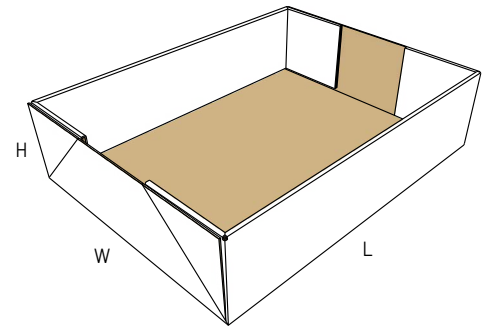
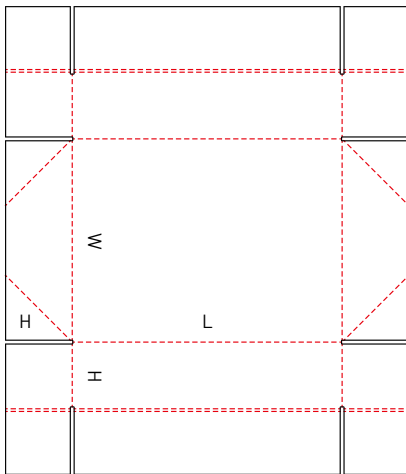
0716 M



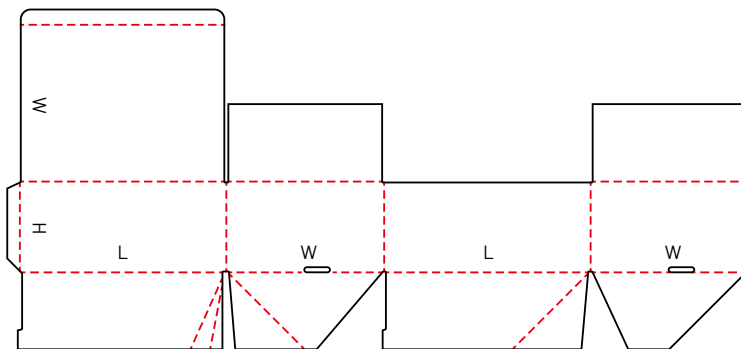
0717 M



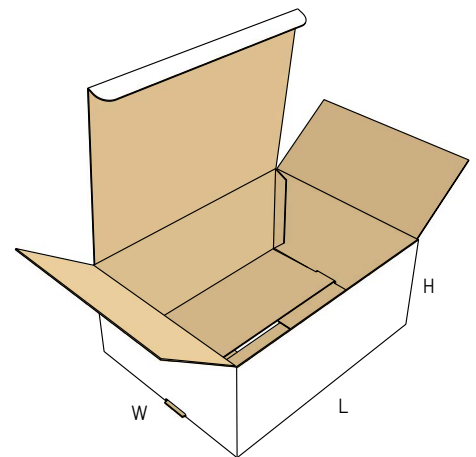
0718 M



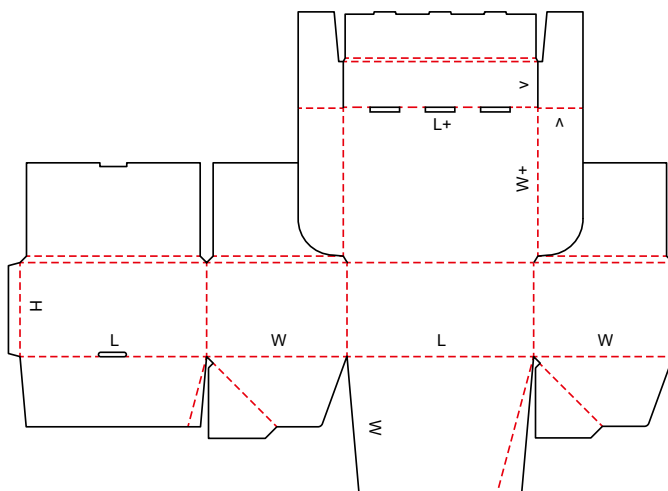
0719 M



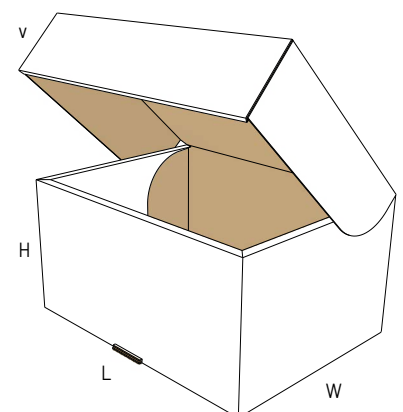
NEW



0720 M

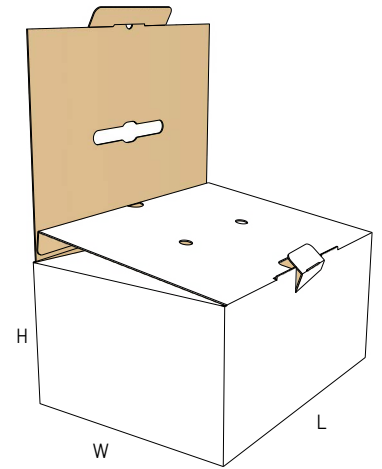
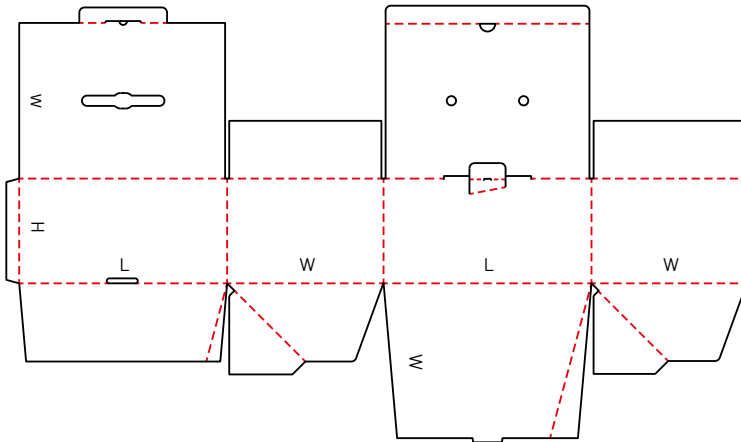


NEW



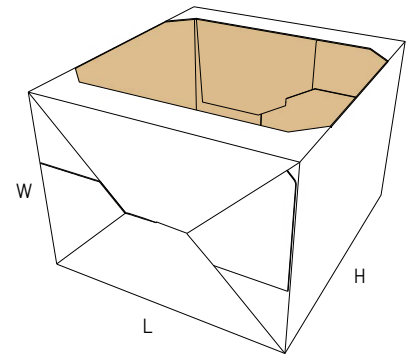
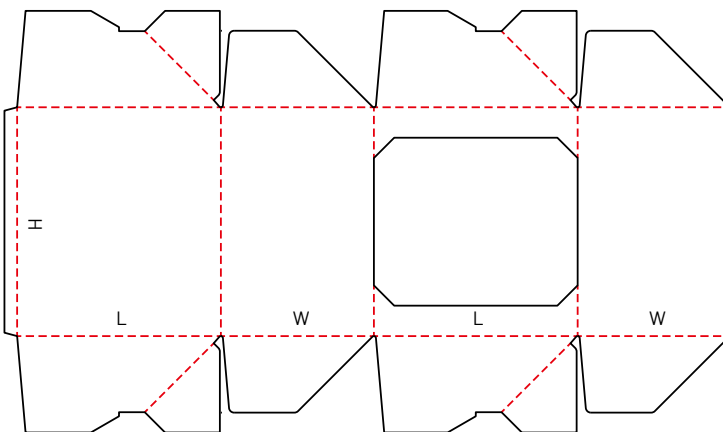
0721 M

NEW



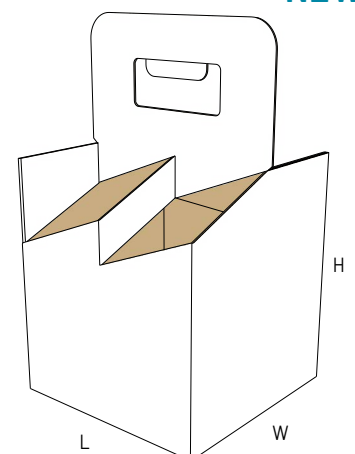
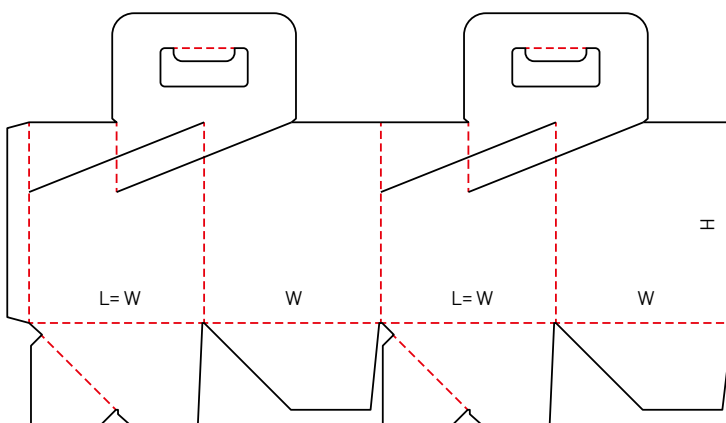
0722 M

NEW



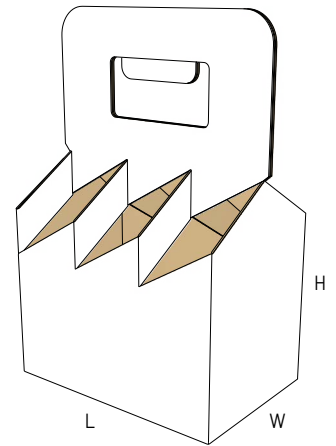
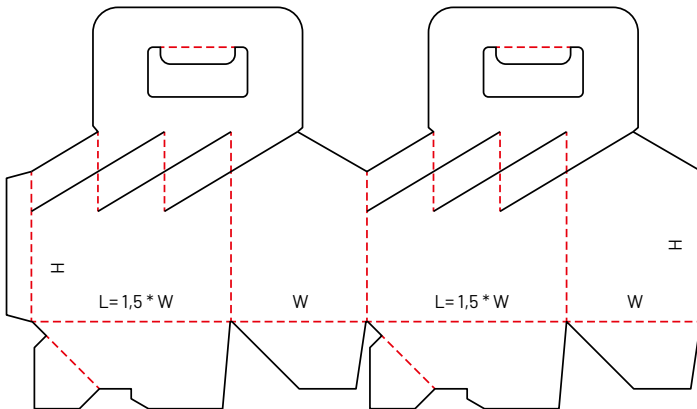
0723 M

NEW



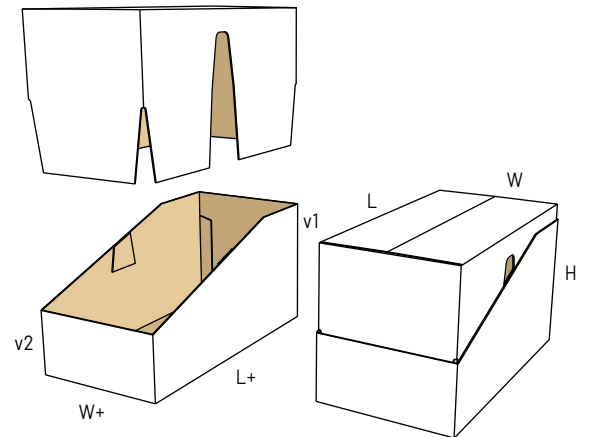
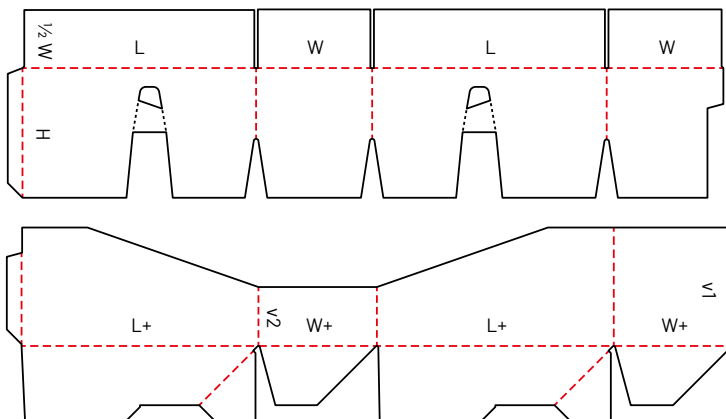
0724 M

NEW



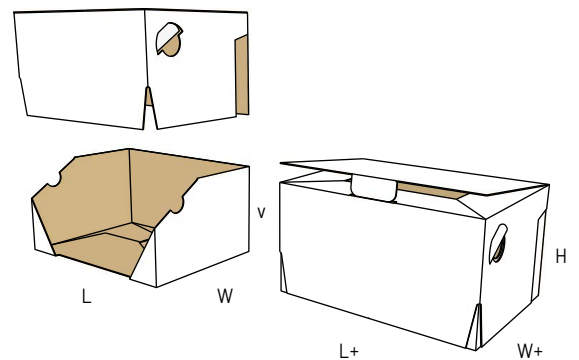
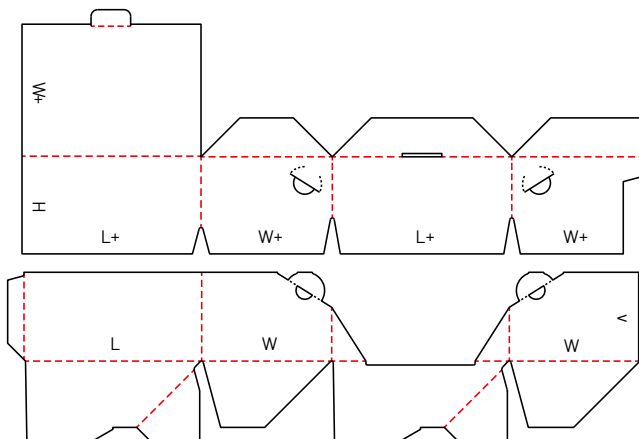
0725 M

NEW



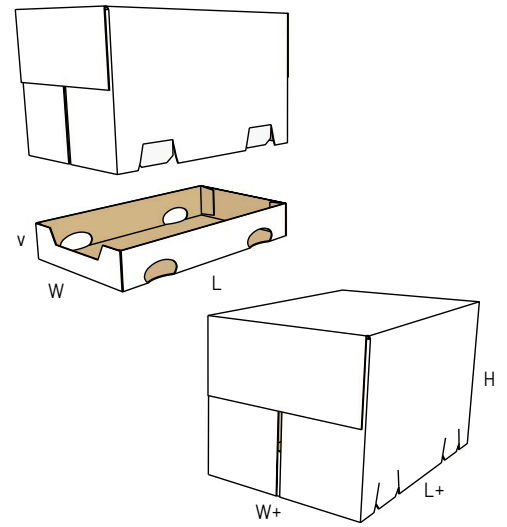
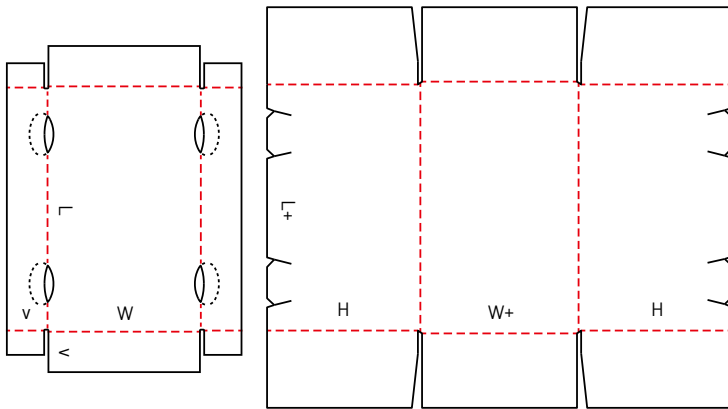
0726 M

NEW



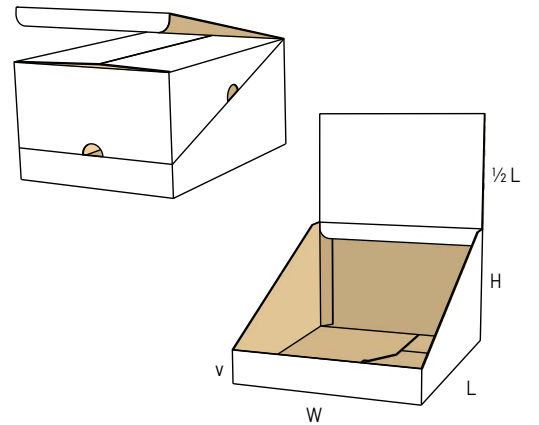
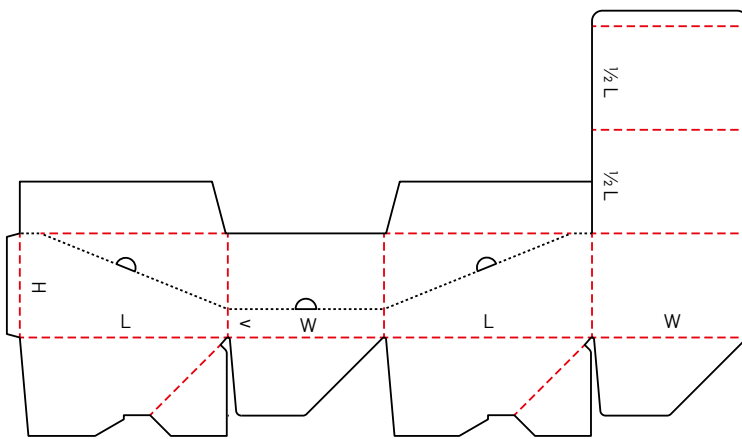
0727 A

NEW



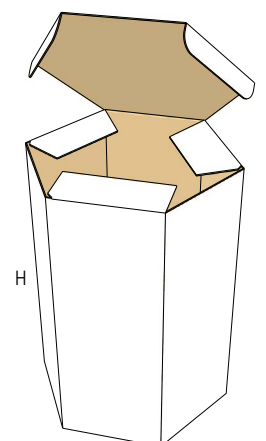
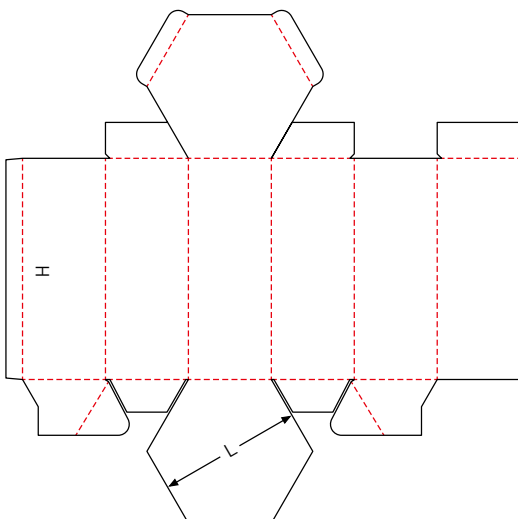
0728 M

NEW



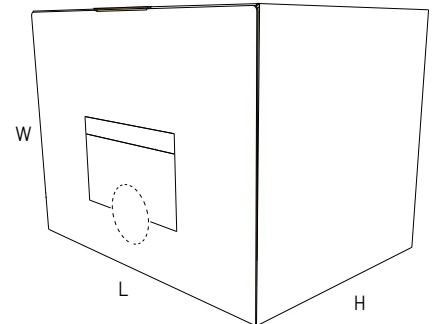
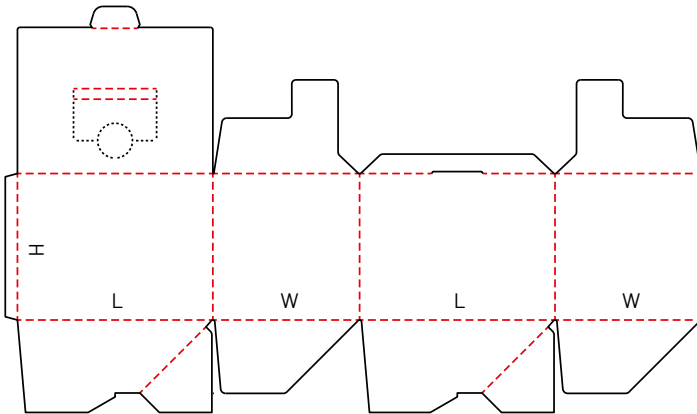
0730 M

NEW

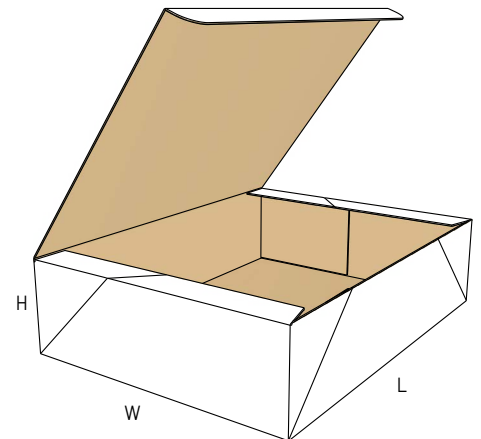
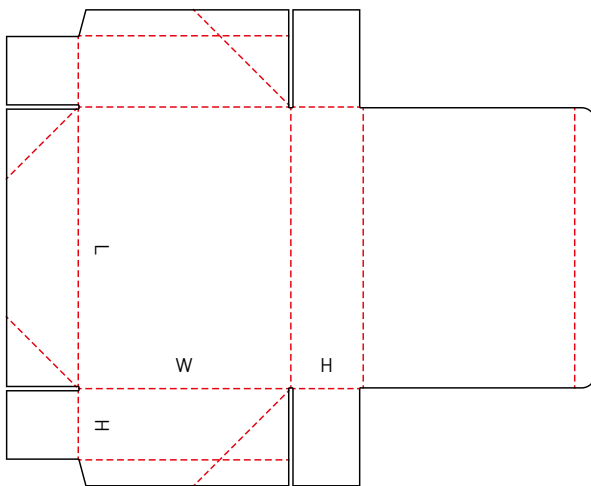


0740 M

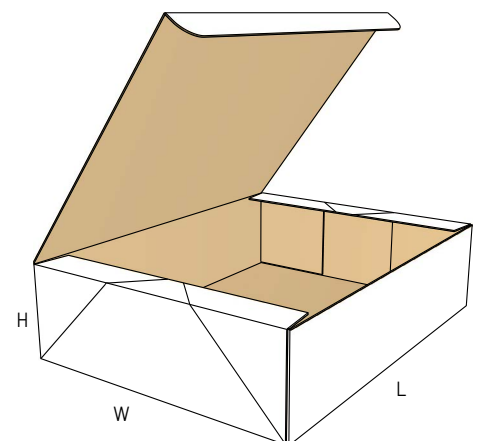
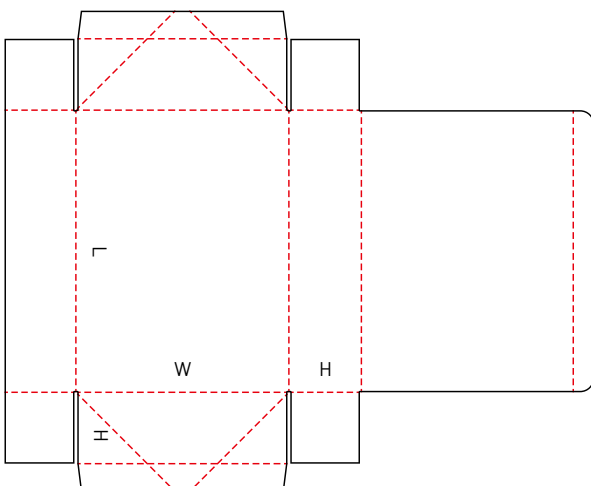
NEW



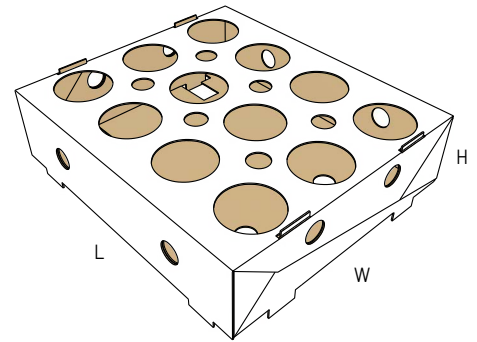
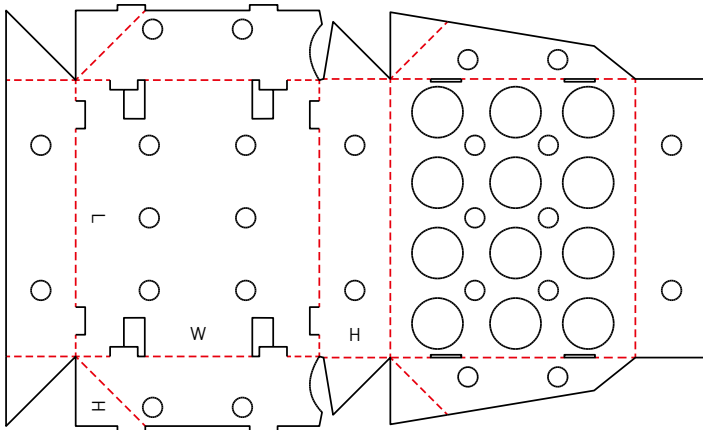
0747 M



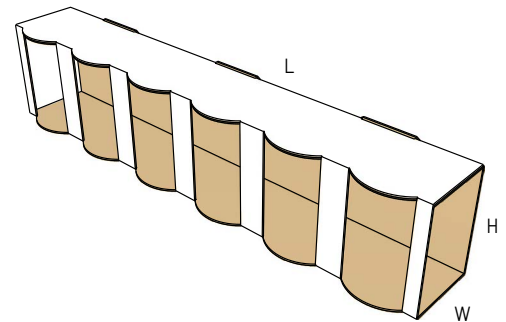
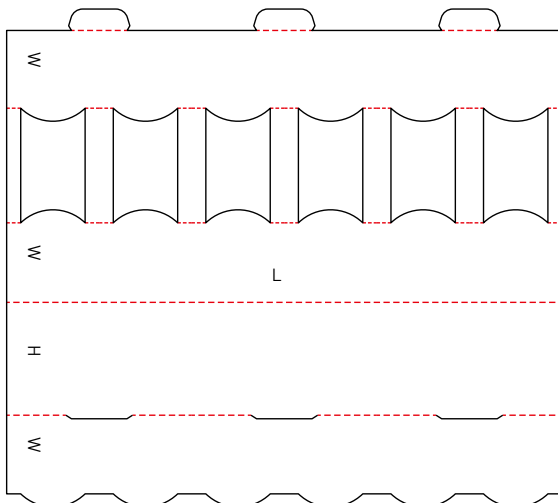
0748 M



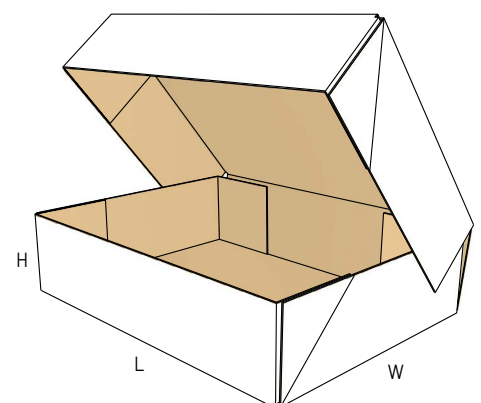
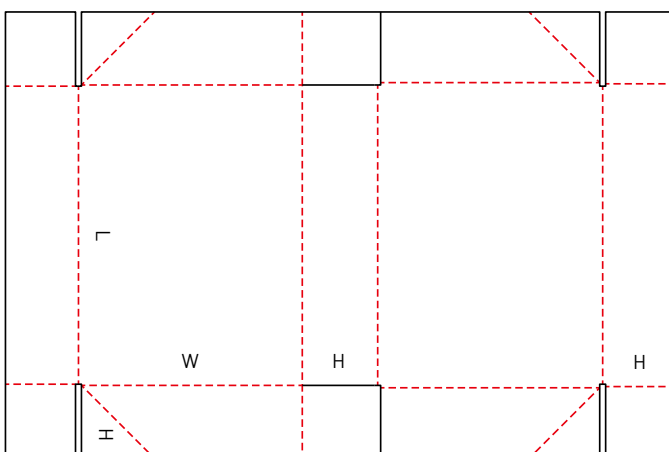
0751 M



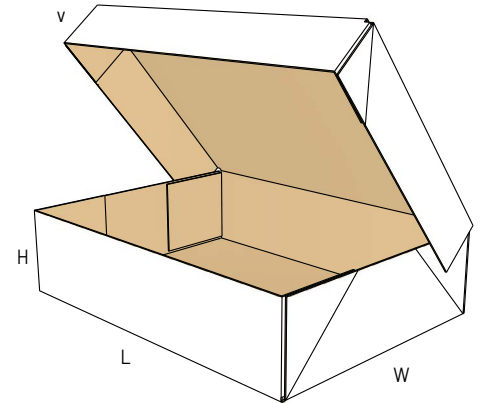
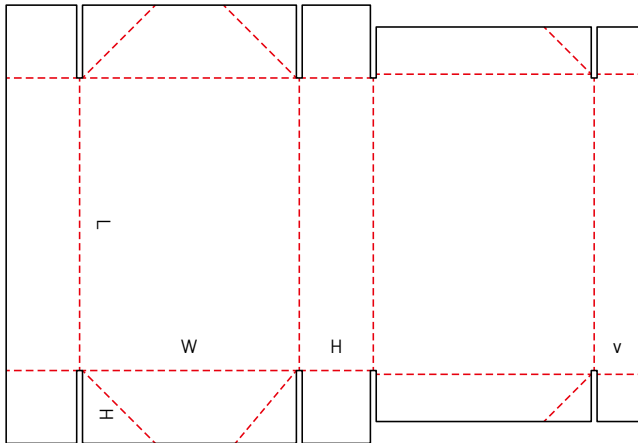
0752 M



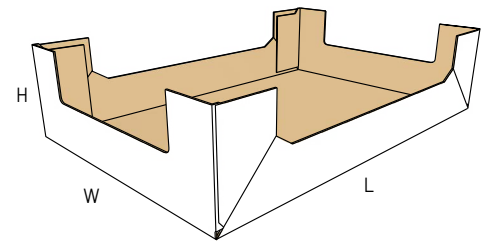
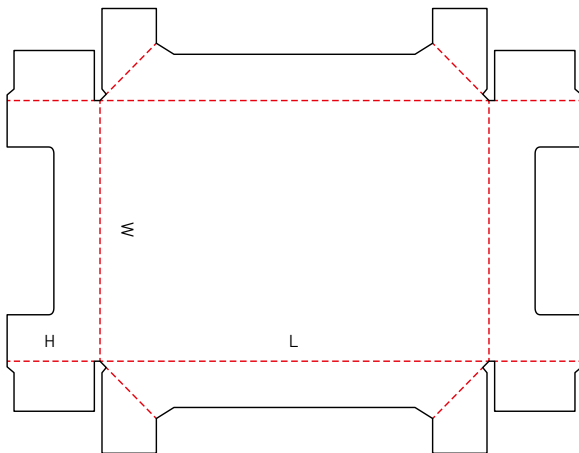
0759 M



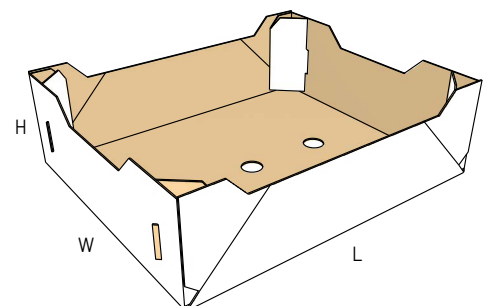
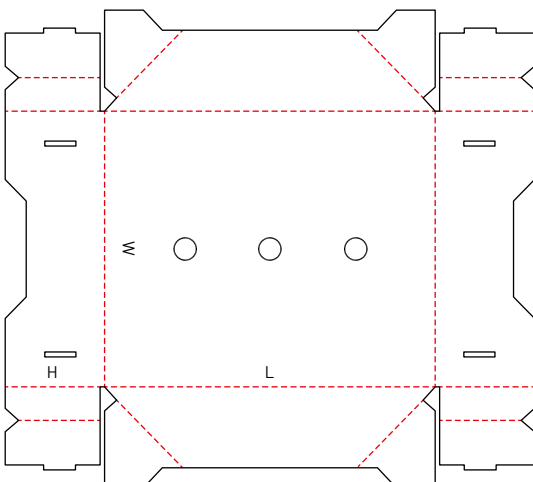
0761 M



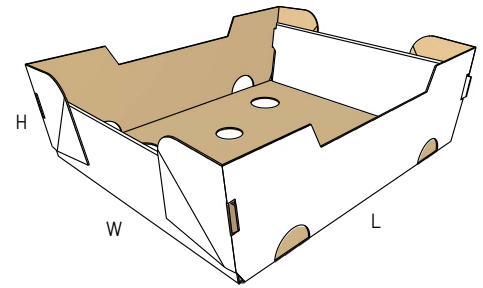
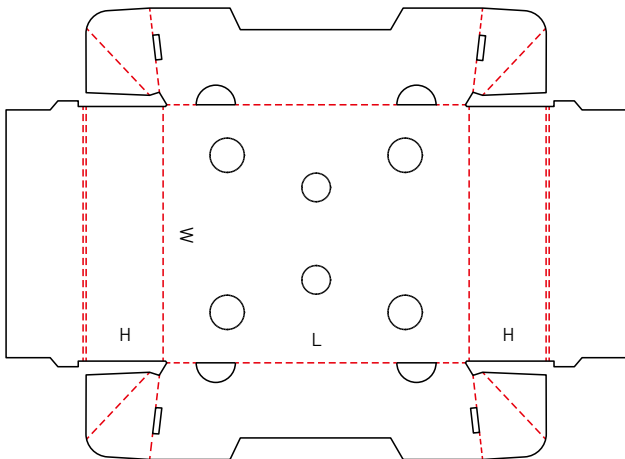
0770 M



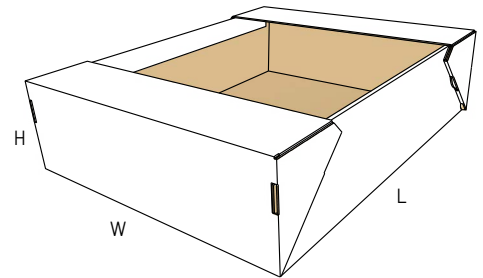
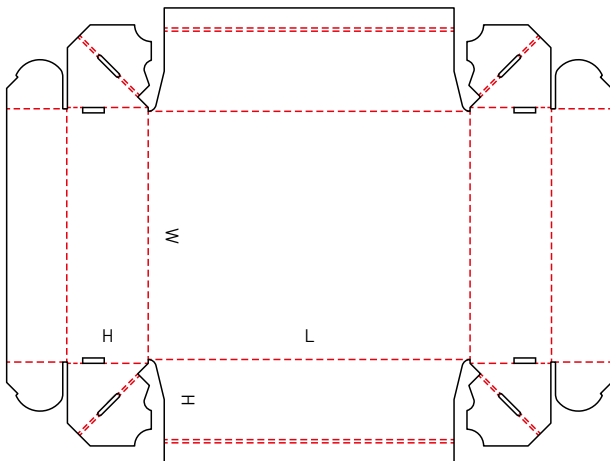
0771 M



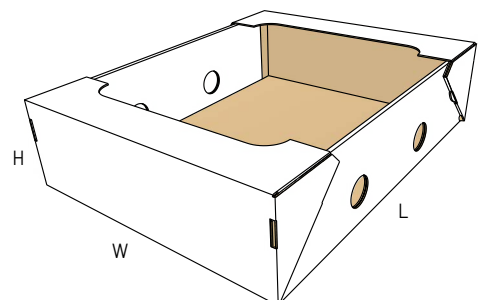
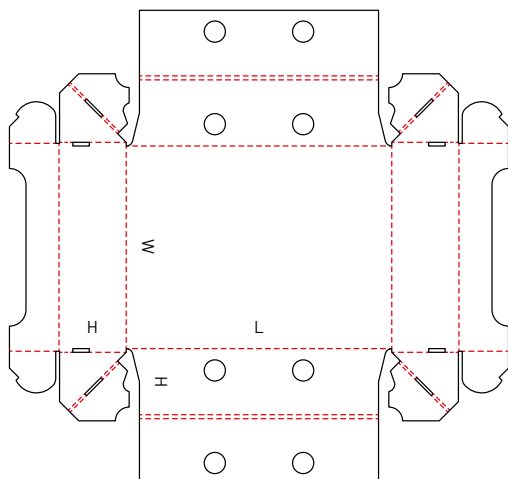
0772 M



0773 M

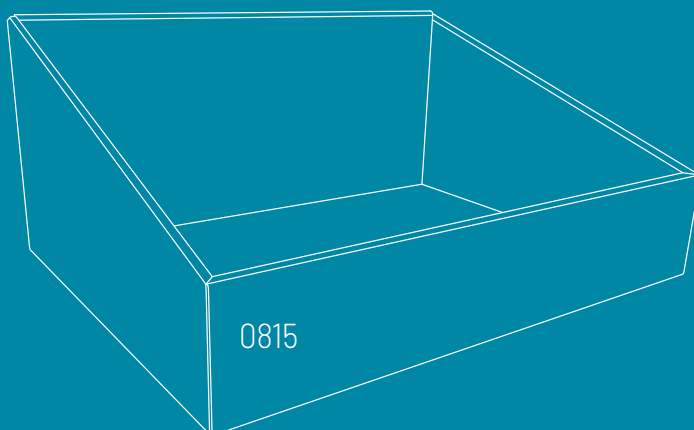
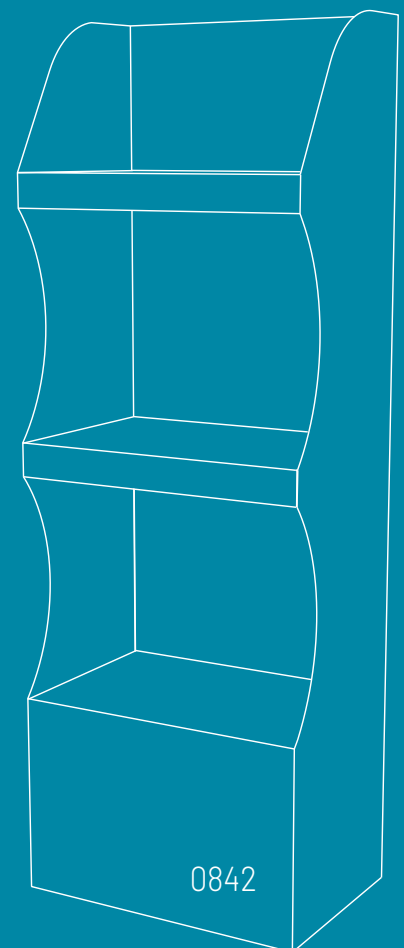
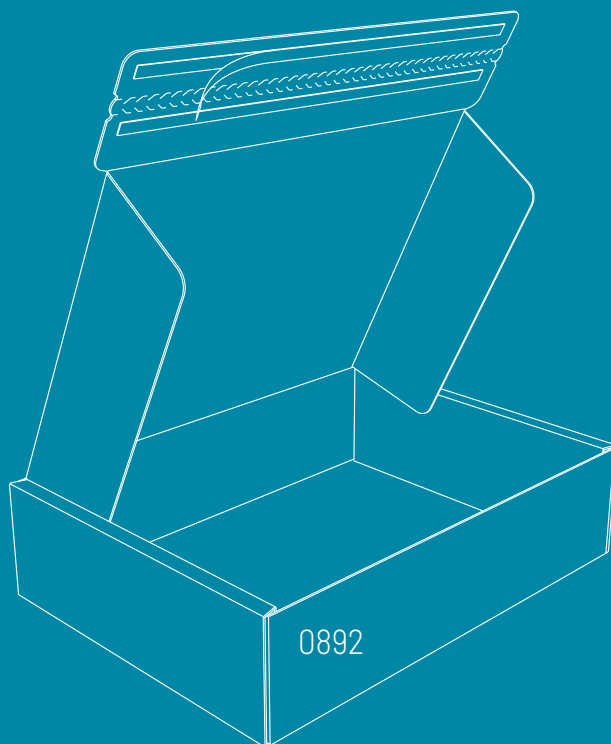


0774 M

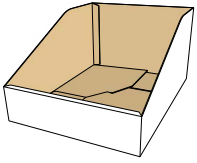


RETAIL AND E-COMMERCE PACKAGING

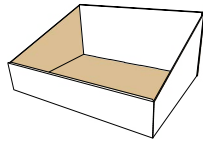
Retail and e-commerce packaging category shows the typical styles used for Point of Sale (POS) displays and trays as well as styles for the online trade.



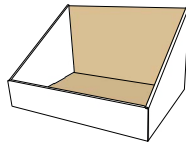
0801 M
NEW



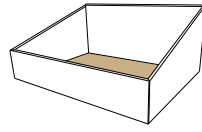
0802 M/A
NEW



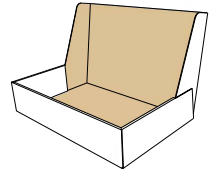
0803 M
NEW



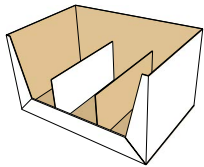
0804 M
NEW



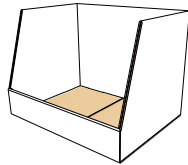
0808 M
NEW



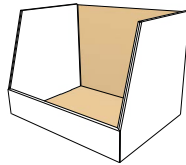
0809 M
NEW



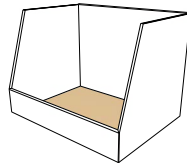
0815 M
NEW



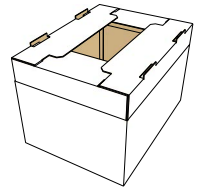
0816 M
NEW



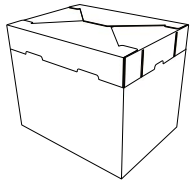
0817 M
NEW



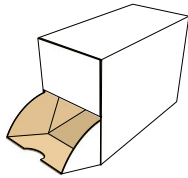
0818 M
NEW



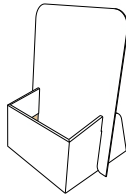
0819 M
NEW



0825 M
NEW



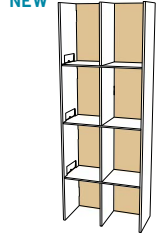
0826 M
NEW



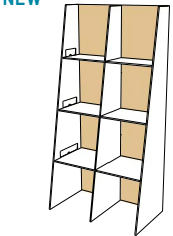
0830 M
NEW



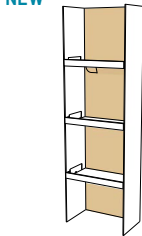
0831 M
NEW



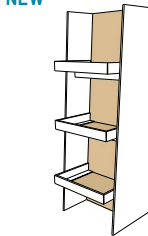
0832 M
NEW



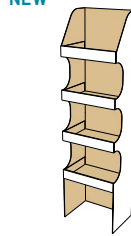
0833 M
NEW



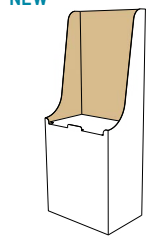
0834 M
NEW



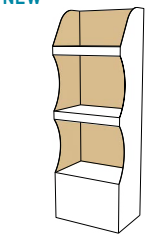
0840 M
NEW



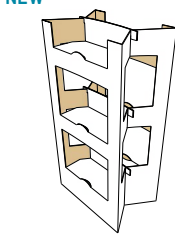
0841 M
NEW



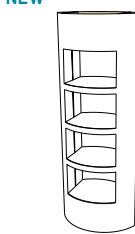
0842 M
NEW



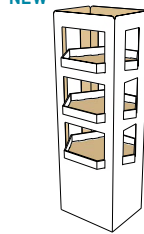
0843 M
NEW



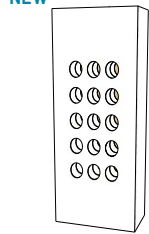
0845 M
NEW



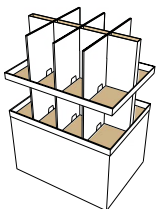
0846 M
NEW



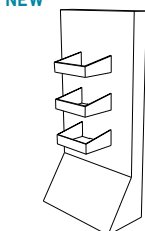
0847 M
NEW



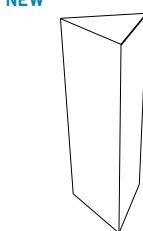
0848 M
NEW



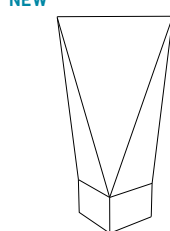
0849 M
NEW



0850 M
NEW



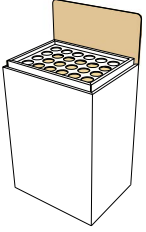
0851 M
NEW



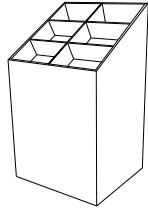
0852 M
NEW



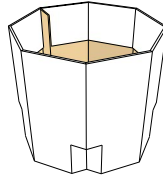
0853 M
NEW



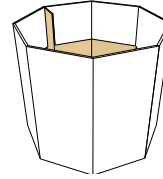
0854 M
NEW



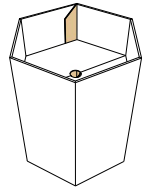
0858 M
NEW



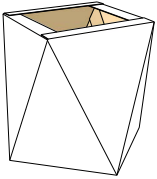
0859 M
NEW



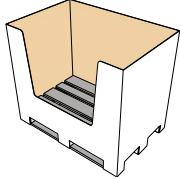
0860 M
NEW



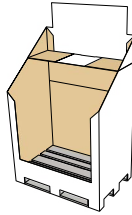
0861 M
NEW



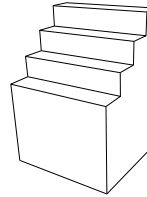
0865 M
NEW



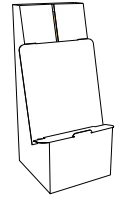
0866 M
NEW



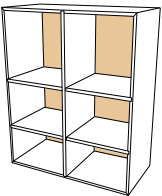
0870 M
NEW



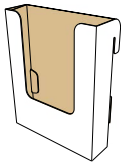
0871 M
NEW



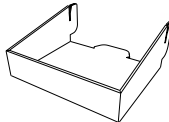
0872 M
NEW



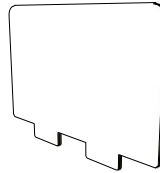
0873 M
NEW



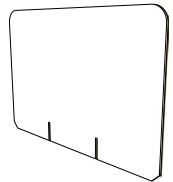
0874 M
NEW



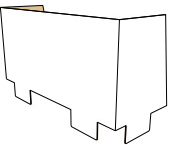
0880 M
NEW



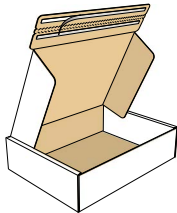
0881 M
NEW



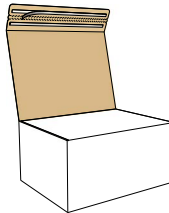
0882 M
NEW



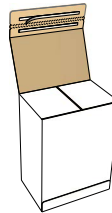
0885 M
NEW



0886 M
NEW

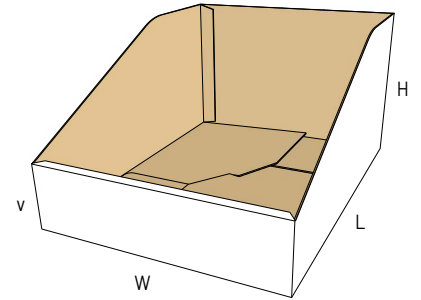
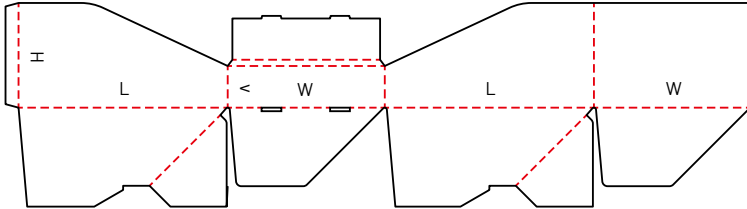


0887 M
NEW



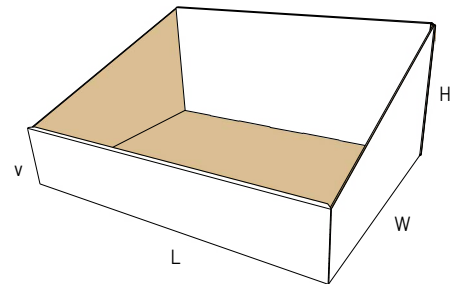
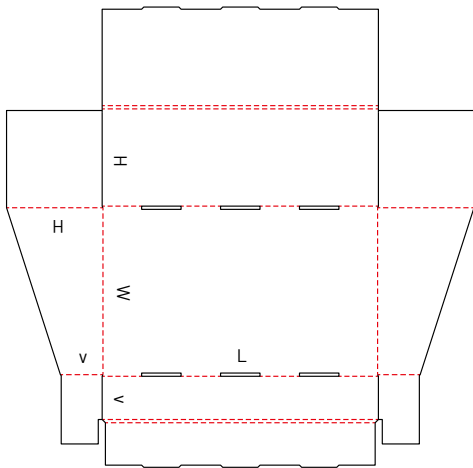
0801 M

NEW



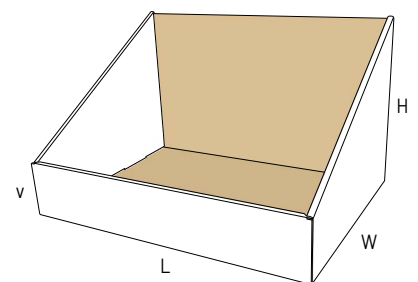
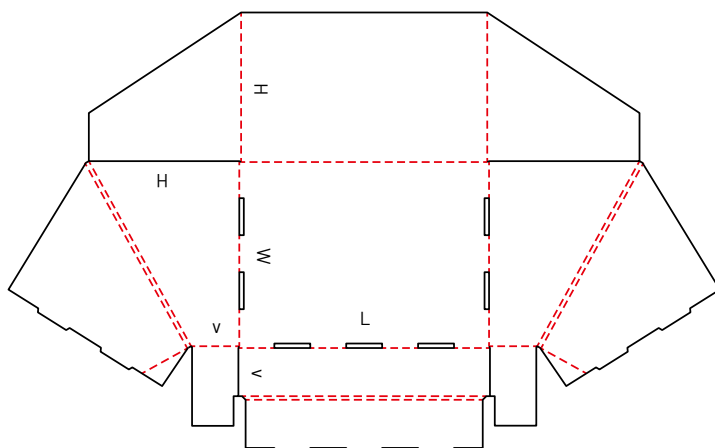
0802 M/A

NEW



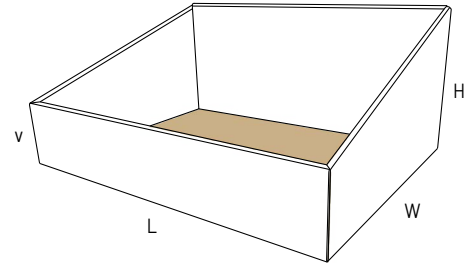
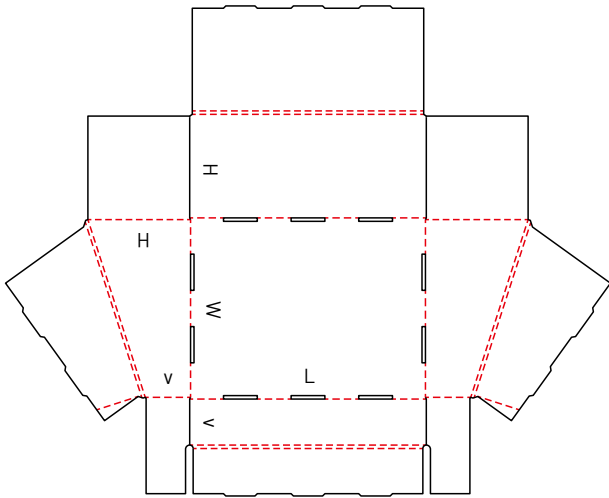
0803 M

NEW



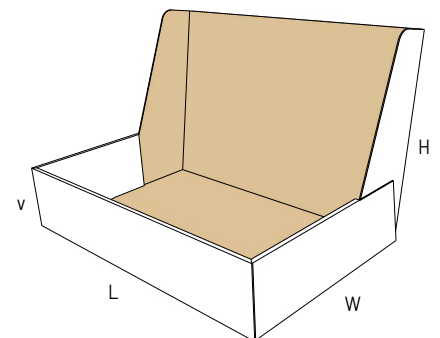
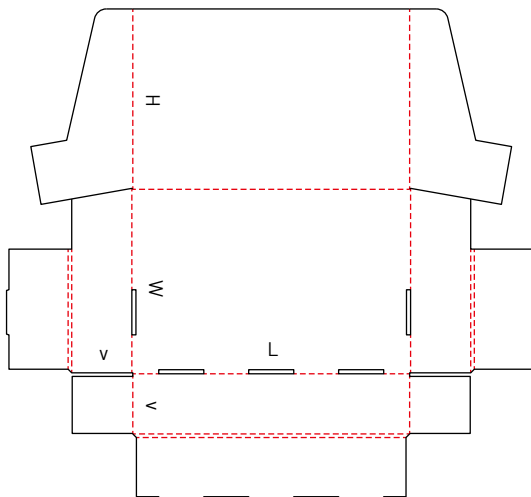
0804 M

NEW



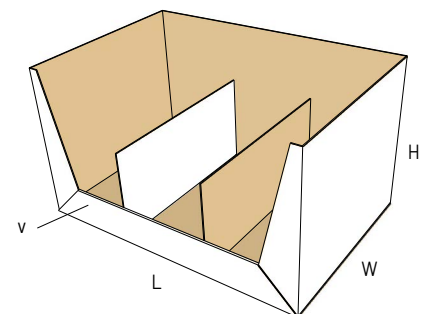
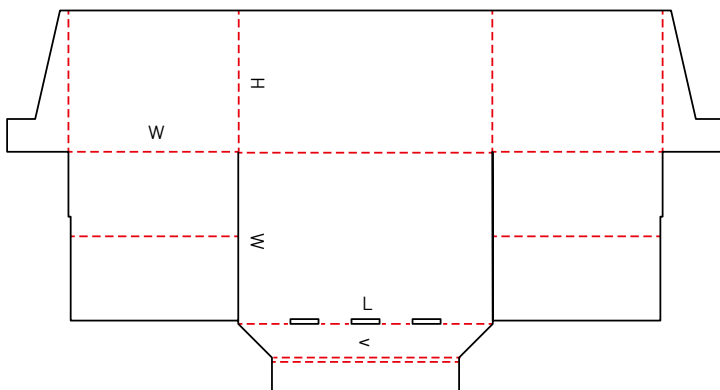
0808 M

NEW

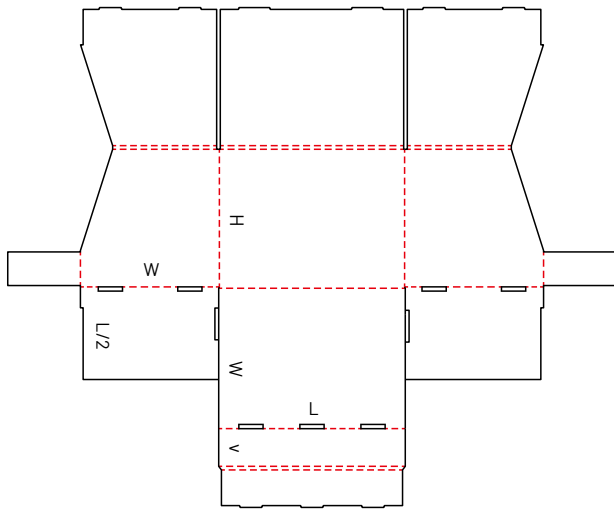


0809 M

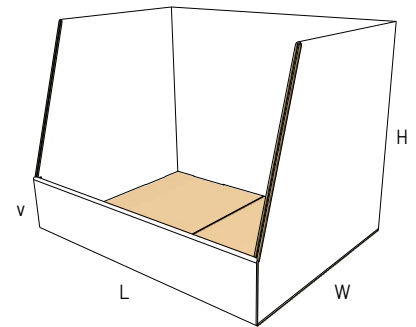
NEW



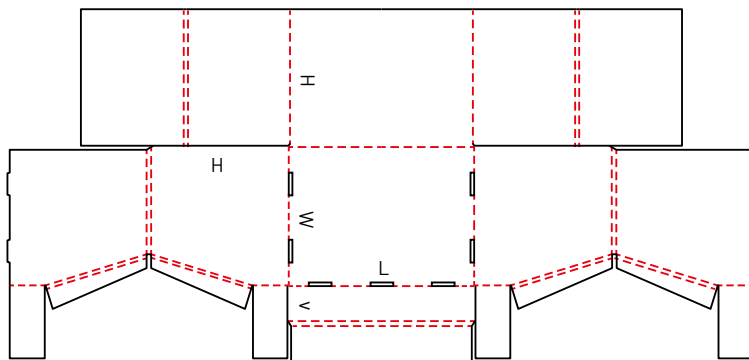
0815 M



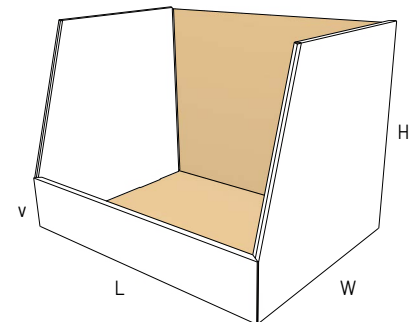
NEW



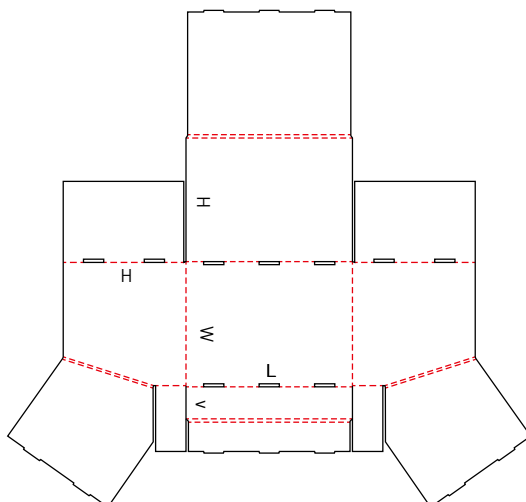
0816 M



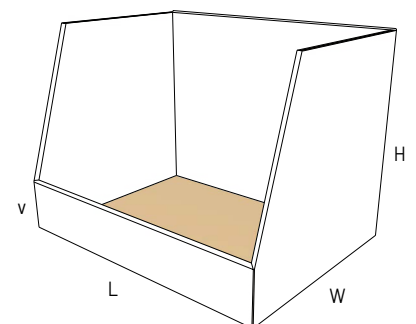
NEW



0817 M

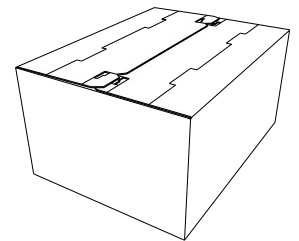
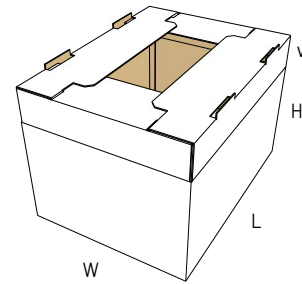
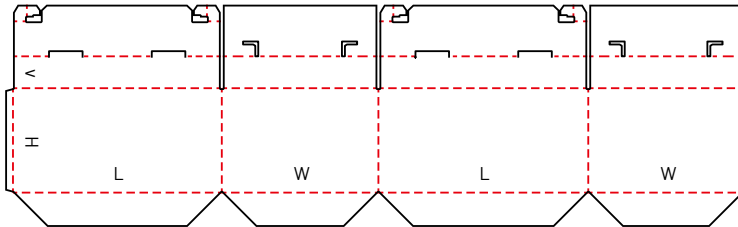


NEW



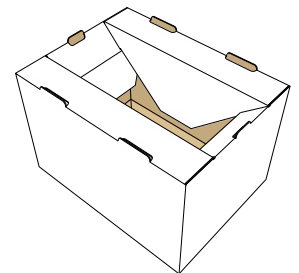
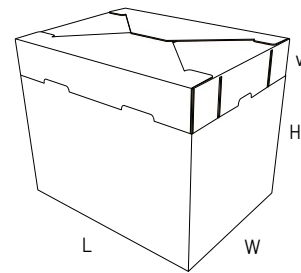
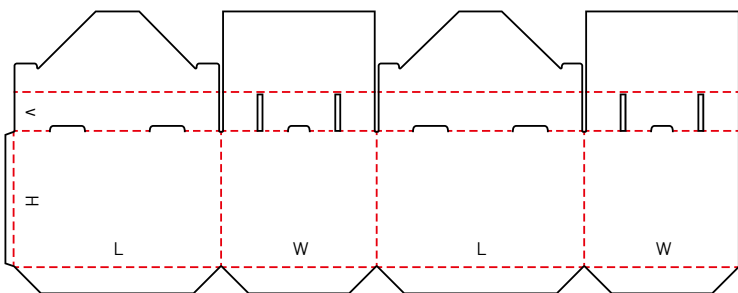
0818 M

NEW



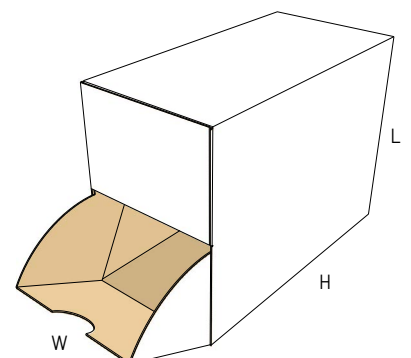
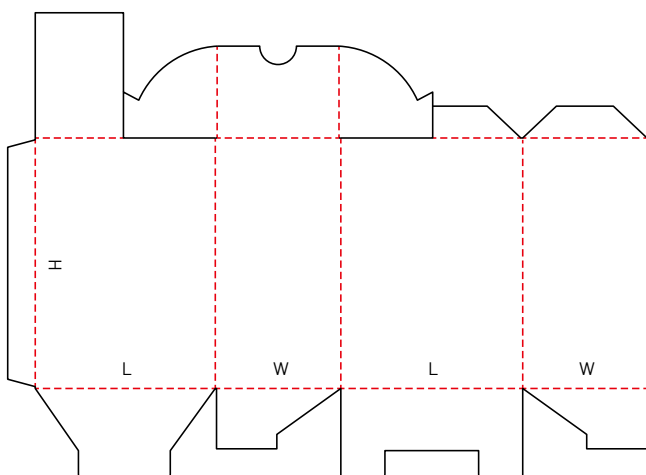
0819 M

NEW



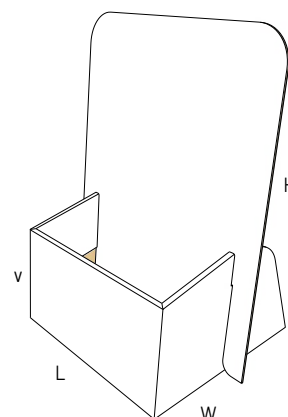
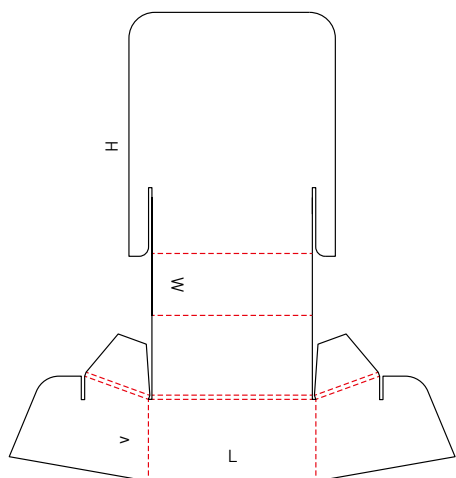
0825 M

NEW



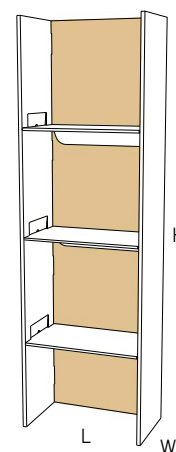
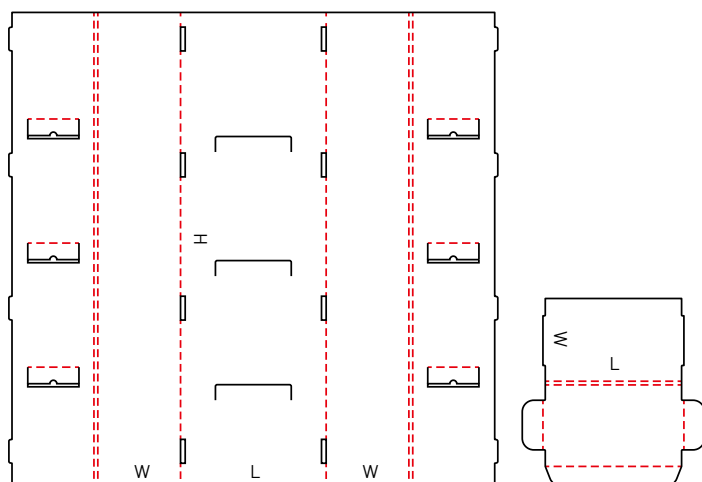
0826 M

NEW



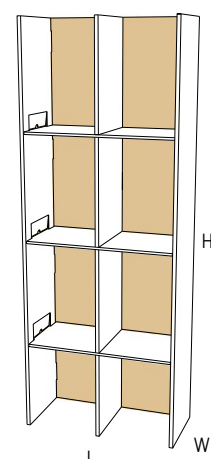
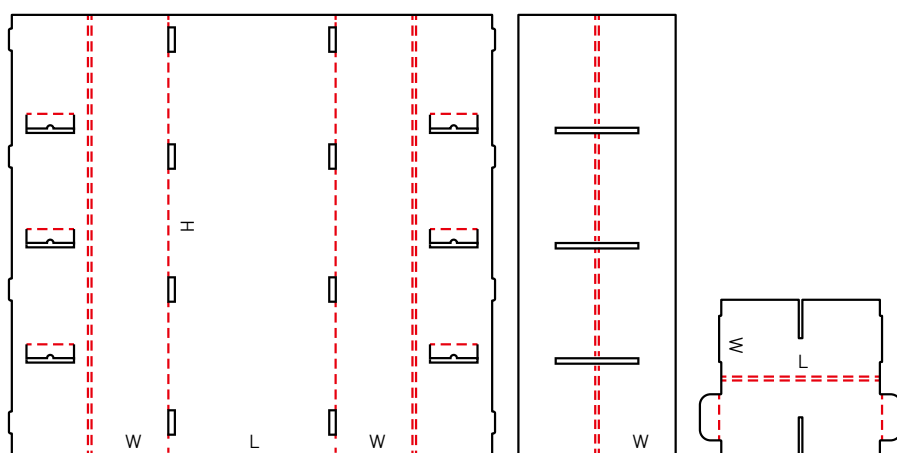
0830 M

NEW



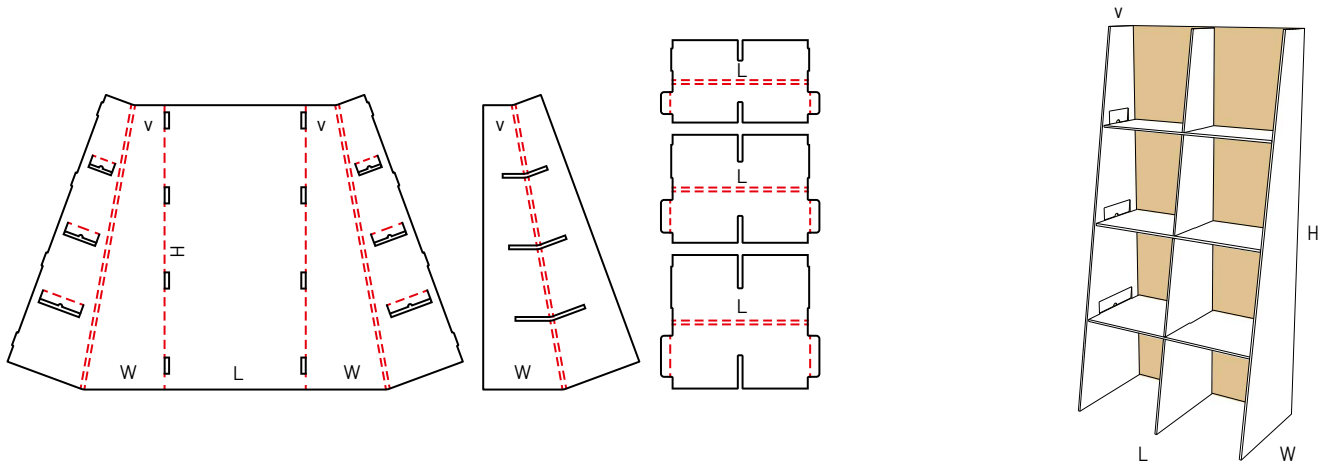
0831 M

NEW



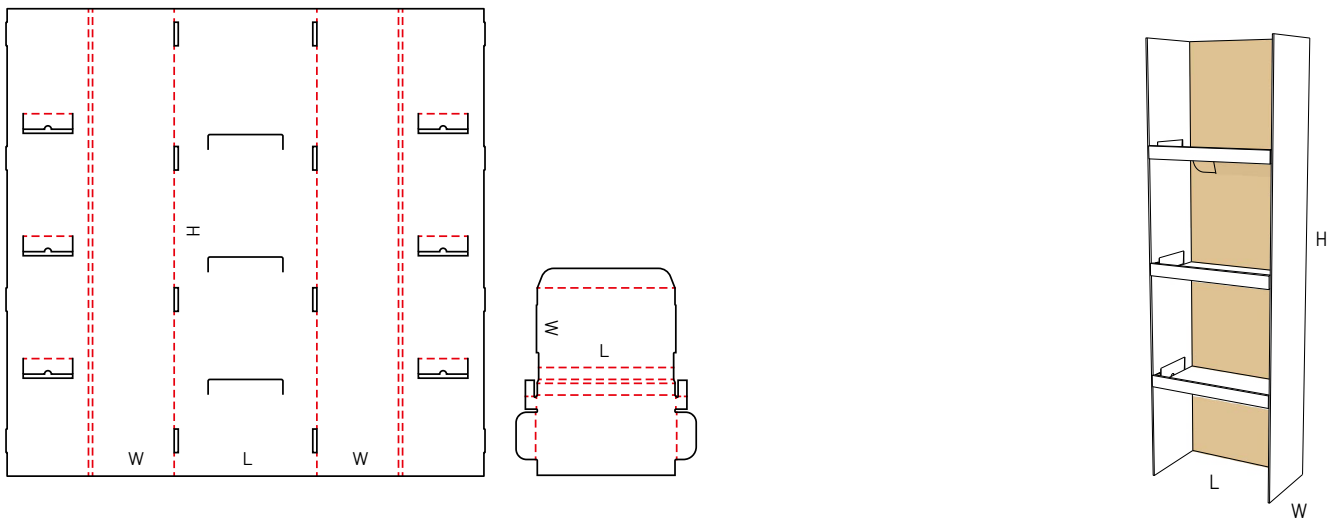
0832 M

NEW



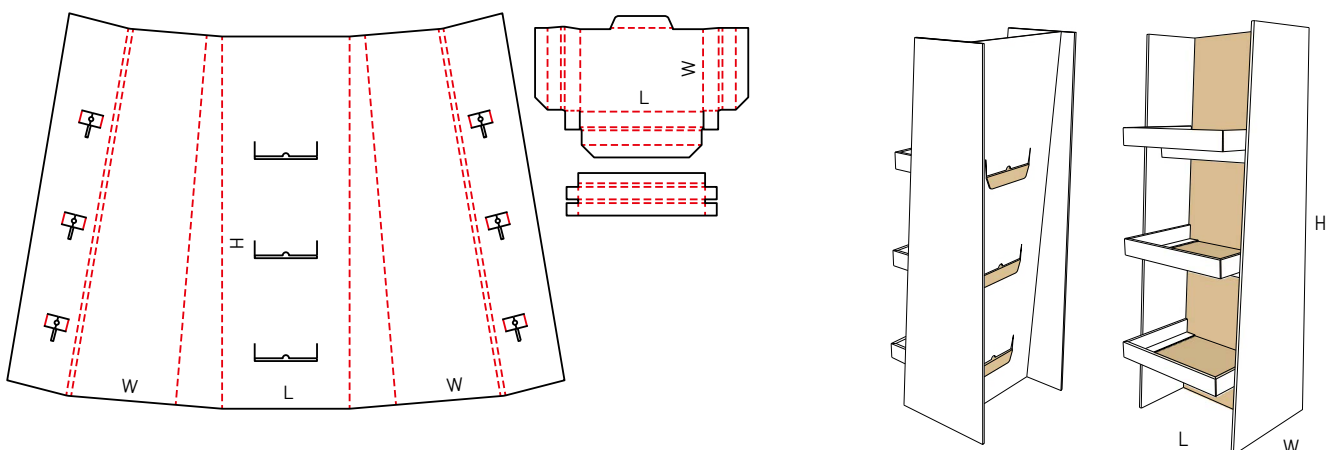
0833 M

NEW



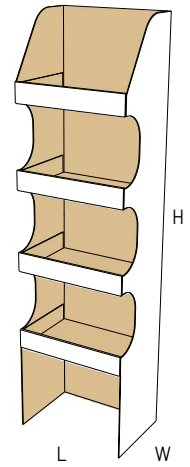
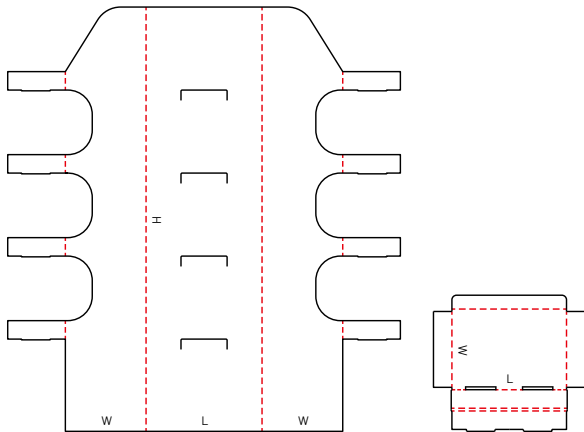
0834 M

NEW



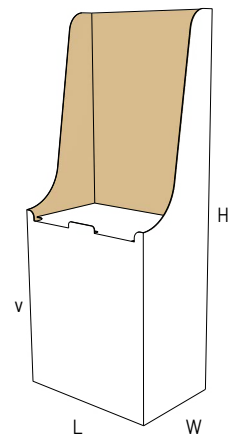
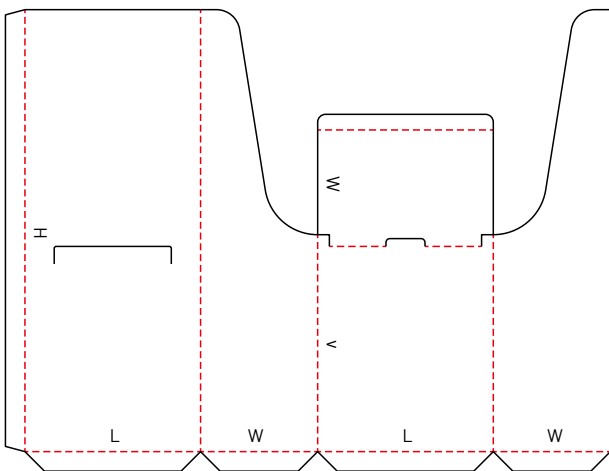
0840 M

NEW



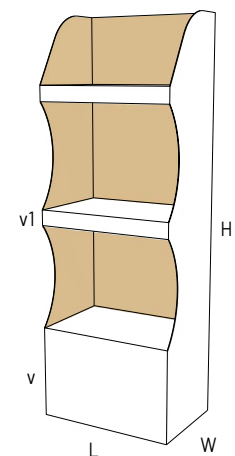
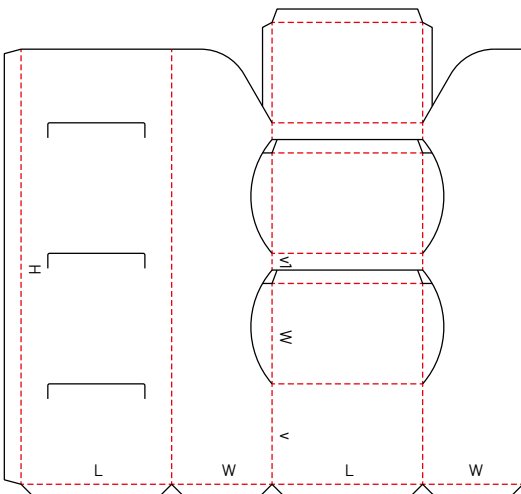
0841 M

NEW



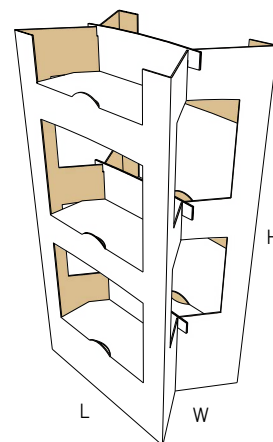
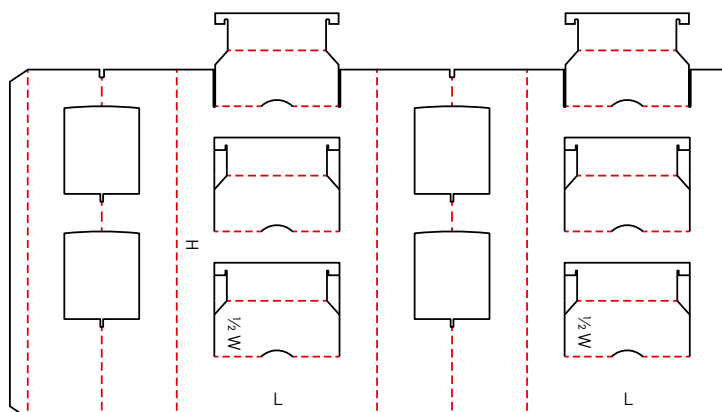
0842 M

NEW



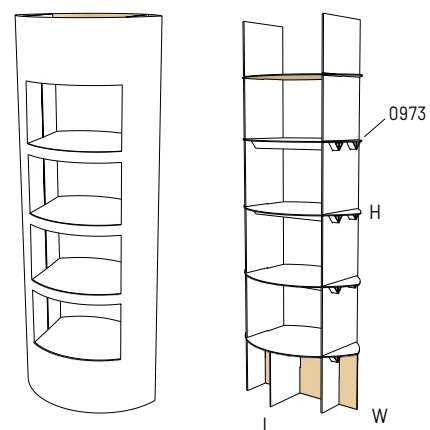
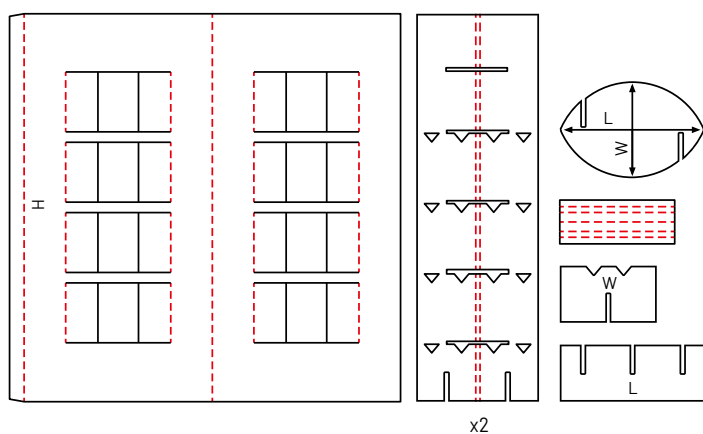
0843 M

NEW



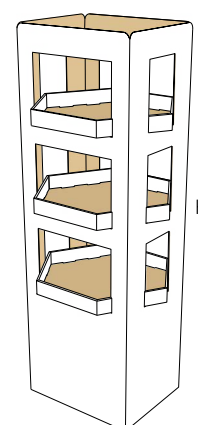
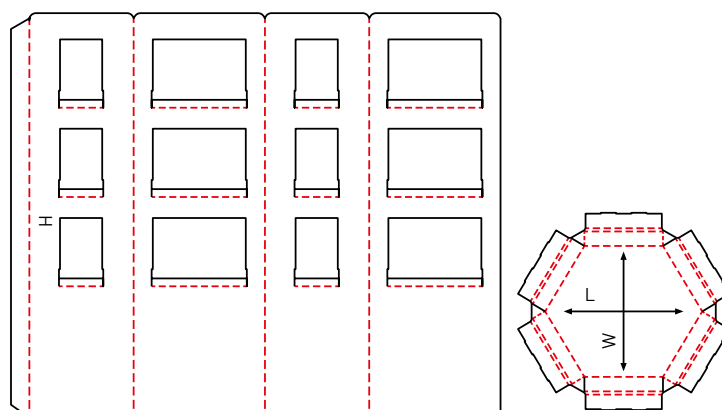
0845 M

NEW



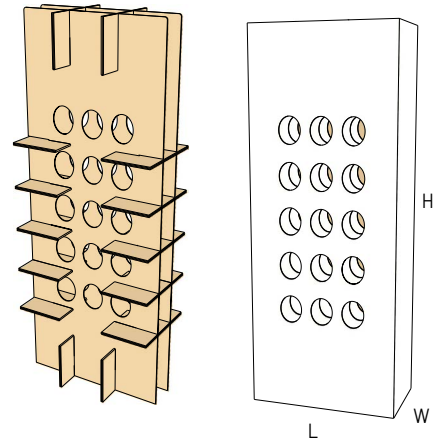
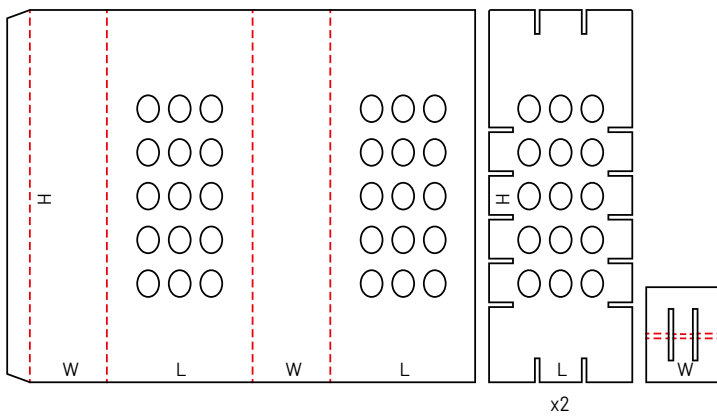
0846 M

NEW



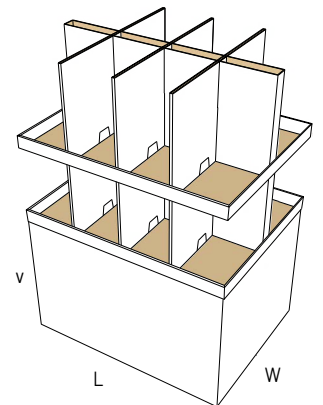
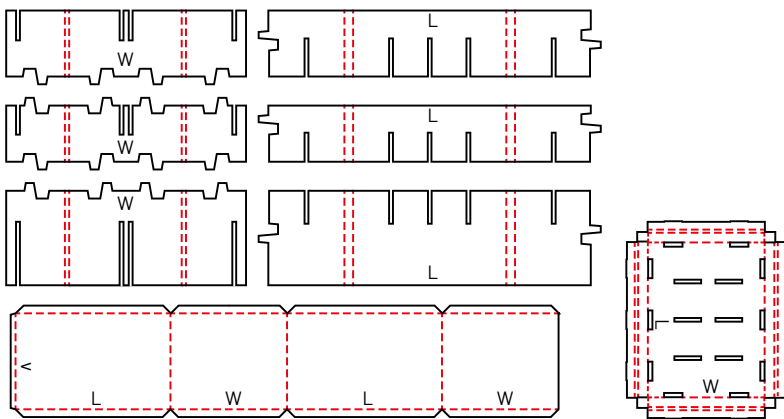
0847 M

NEW



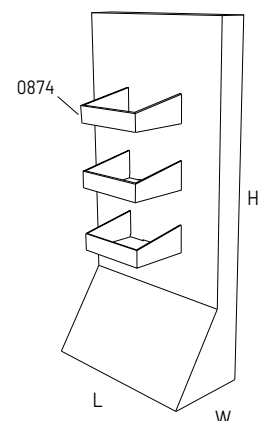
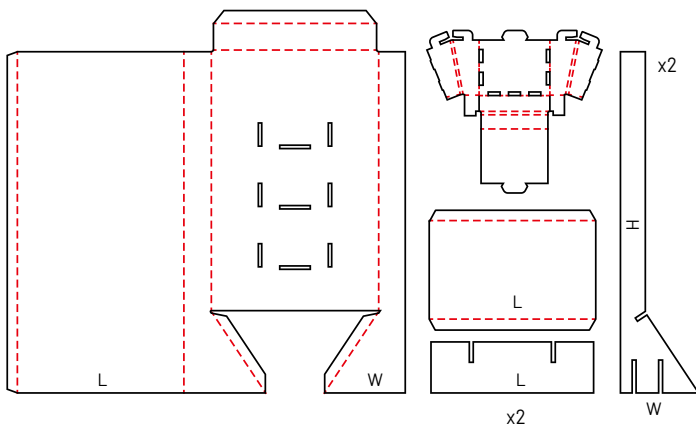
0848 M

NEW



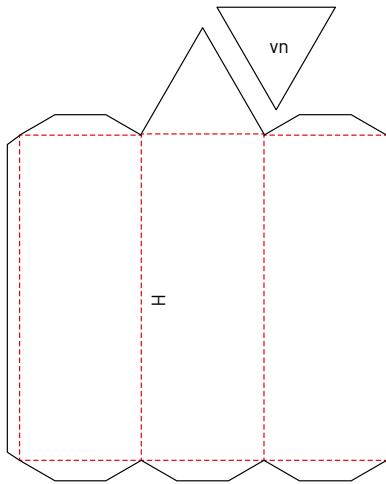
0849 M

NEW

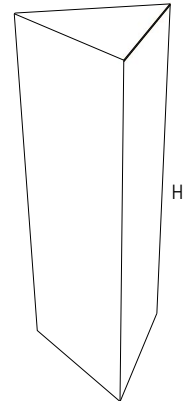
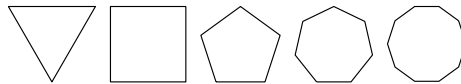


0850 M

NEW

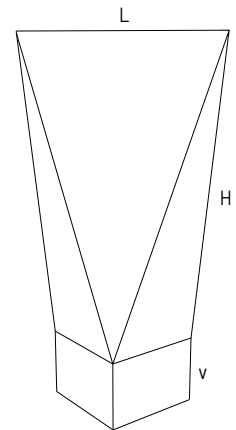
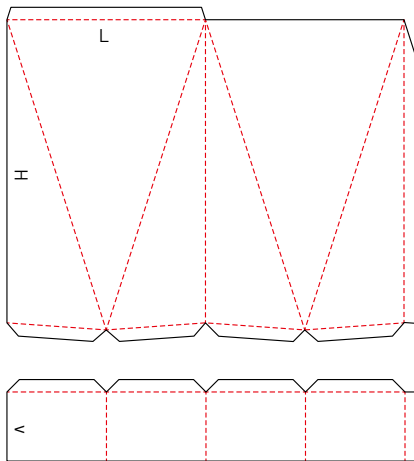


Design style could vary
with multiple number of sides (vn)



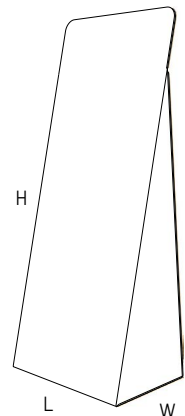
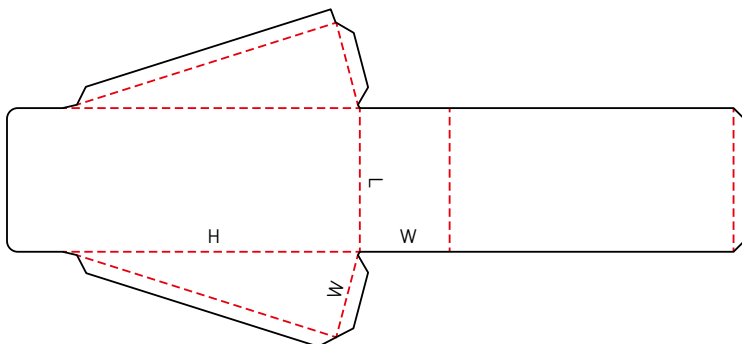
0851 M

NEW



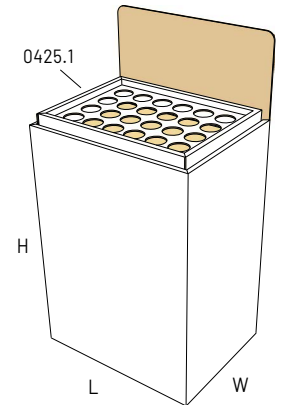
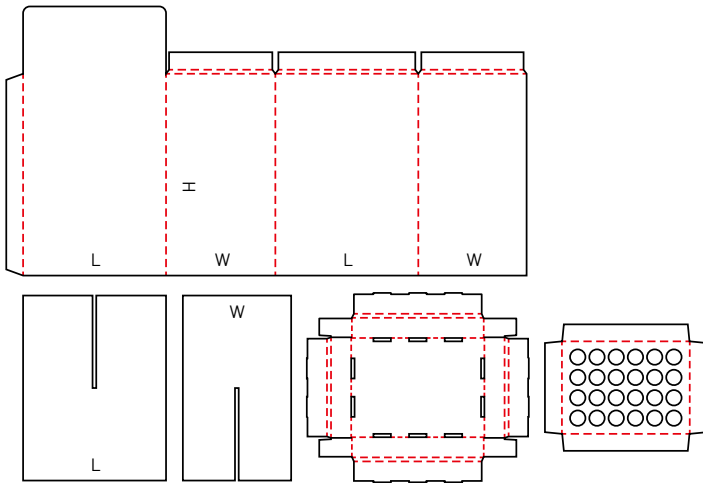
0852 M

NEW



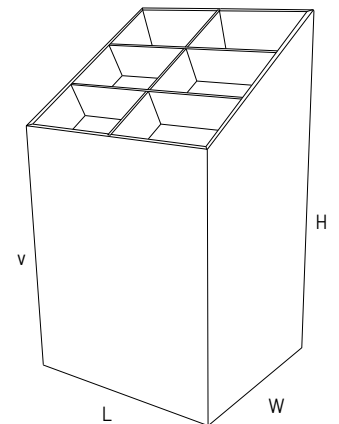
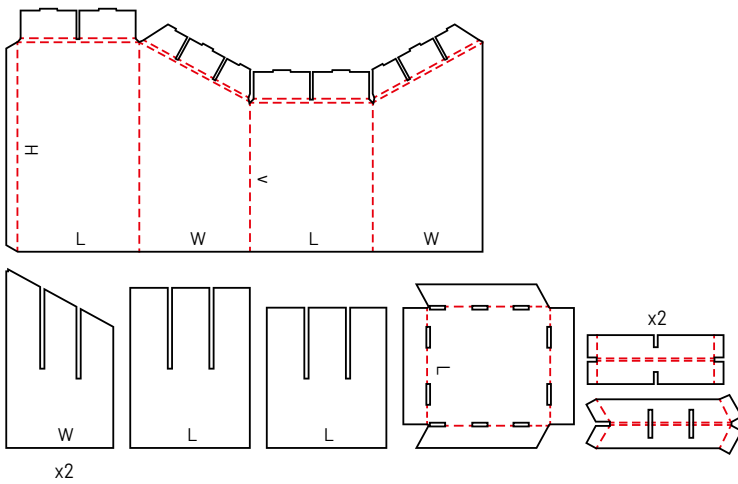
0853 M

NEW



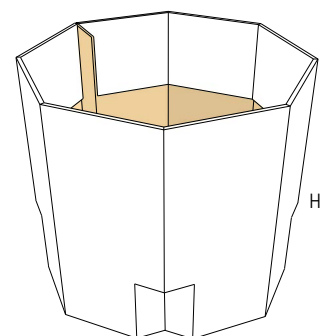
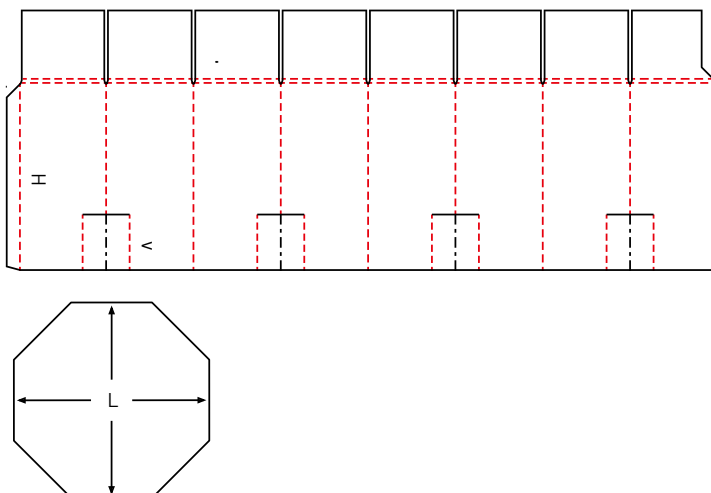
0854 M

NEW

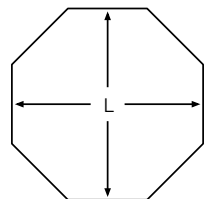
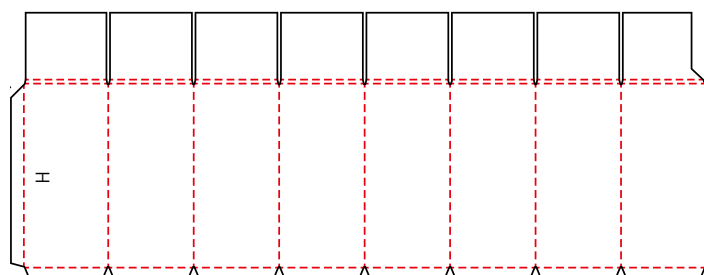


0858 M

NEW



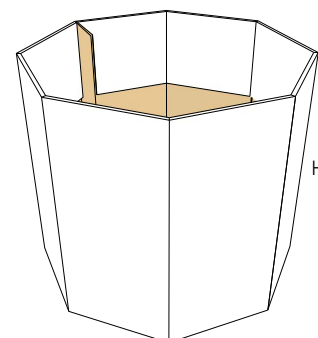
0859 M



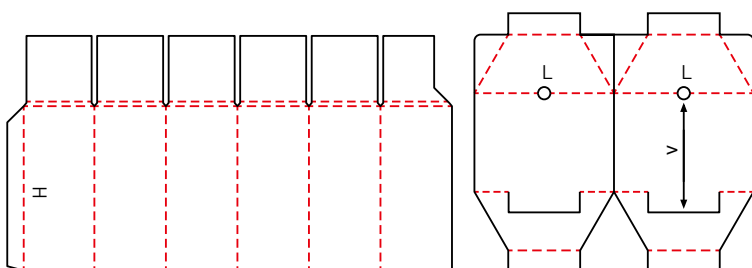
Design style could vary
with multiple number of sides (vn)



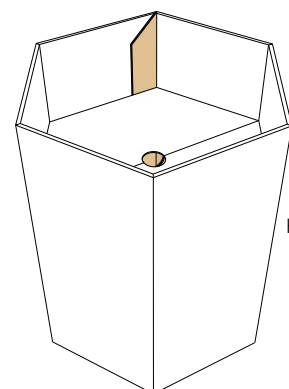
NEW



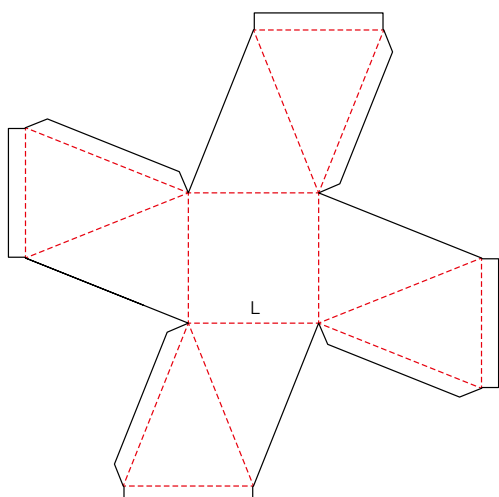
0860 M



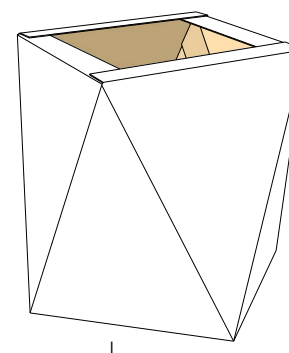
NEW



0861 M

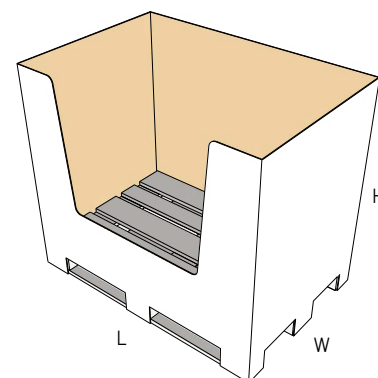
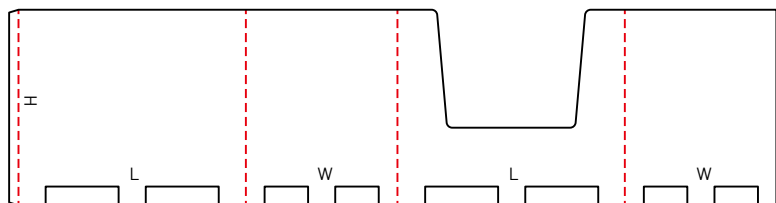


NEW



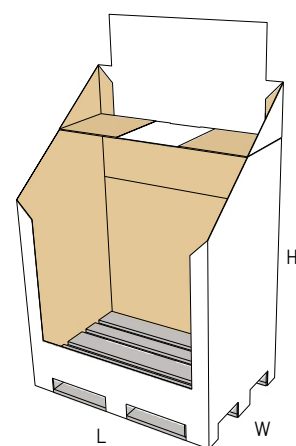
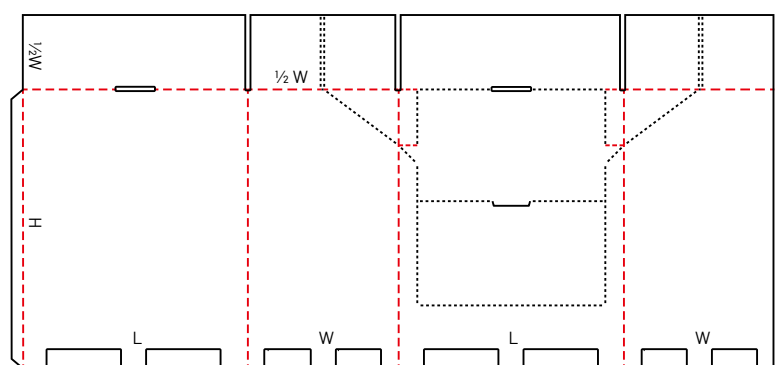
0865 M

NEW



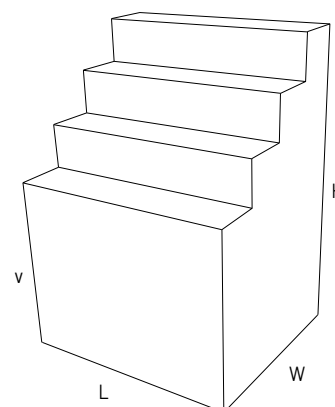
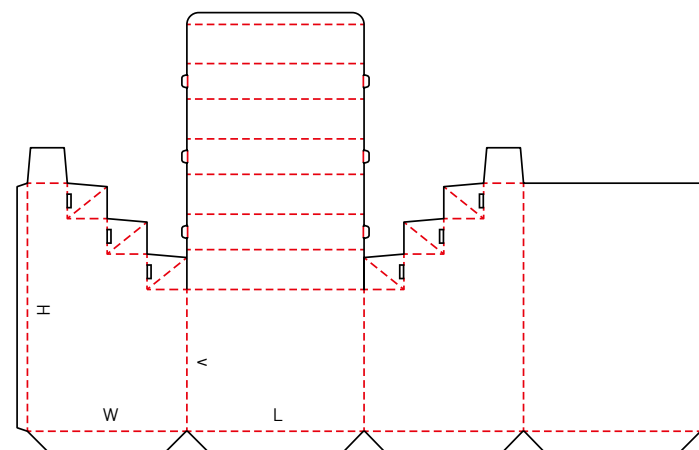
0866 M

NEW



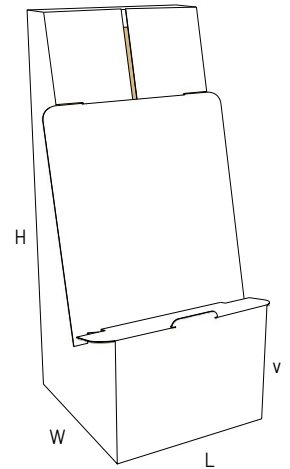
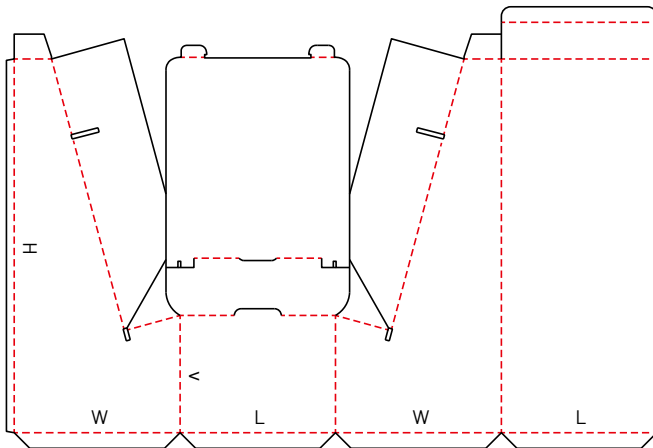
0870 M

NEW



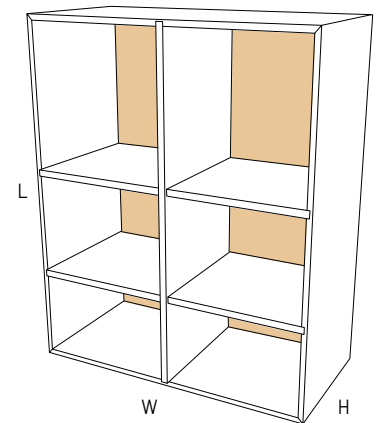
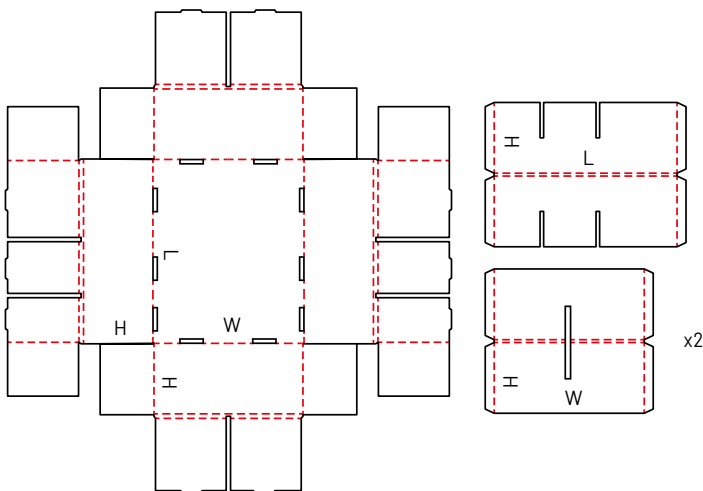
0871 M

NEW



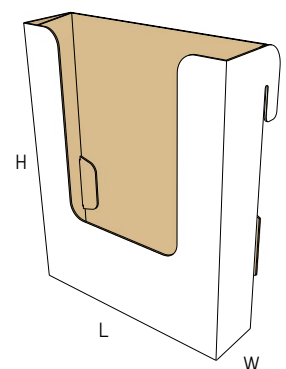
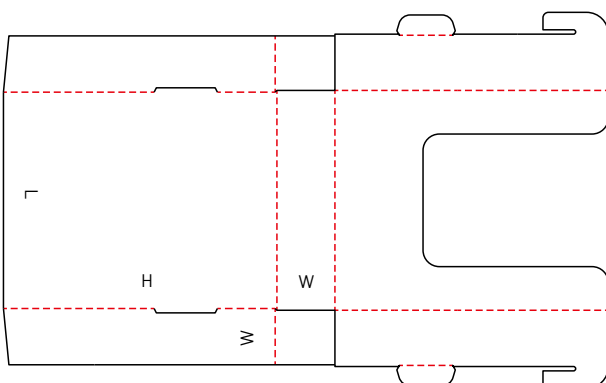
0872 M

NEW



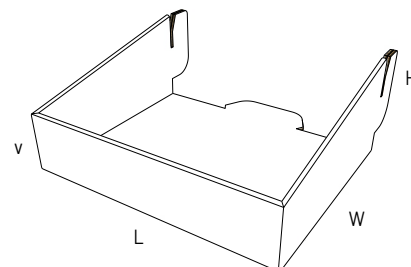
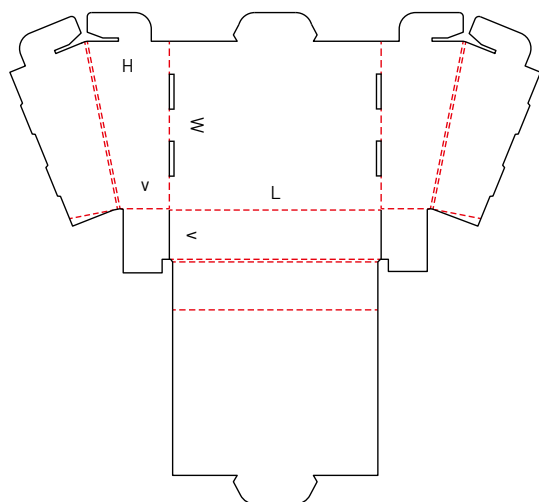
0873 M

NEW



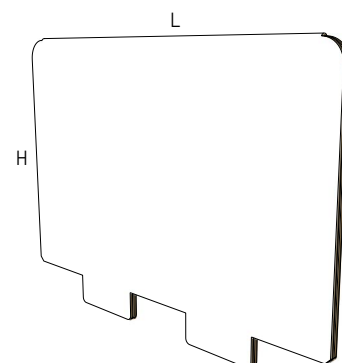
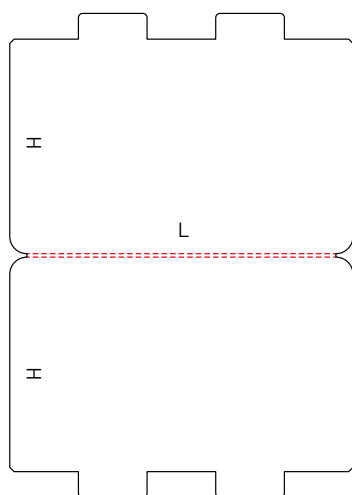
0874 M

NEW



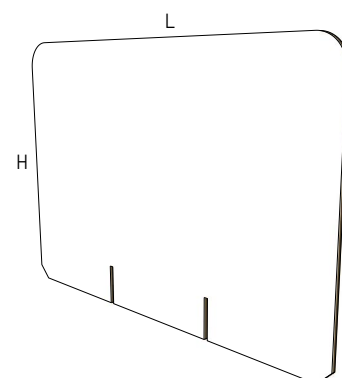
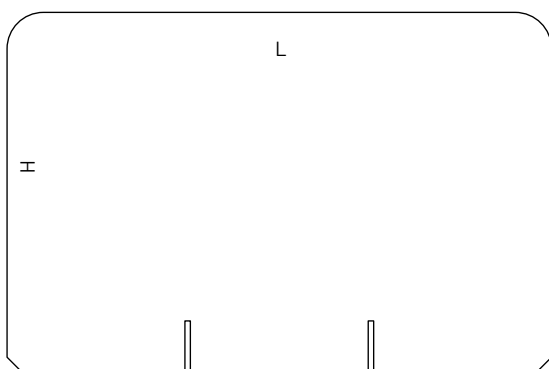
0880 M

NEW



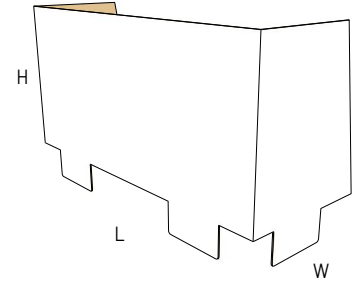
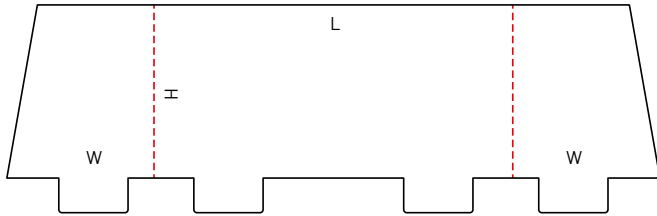
0881 M

NEW



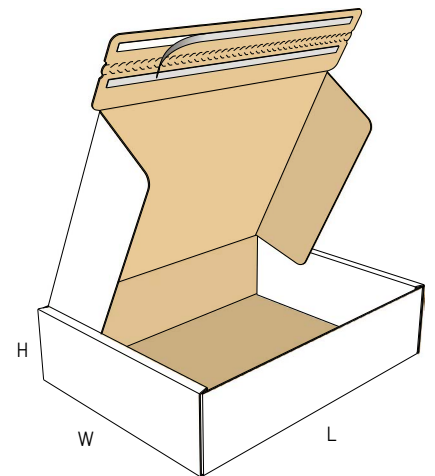
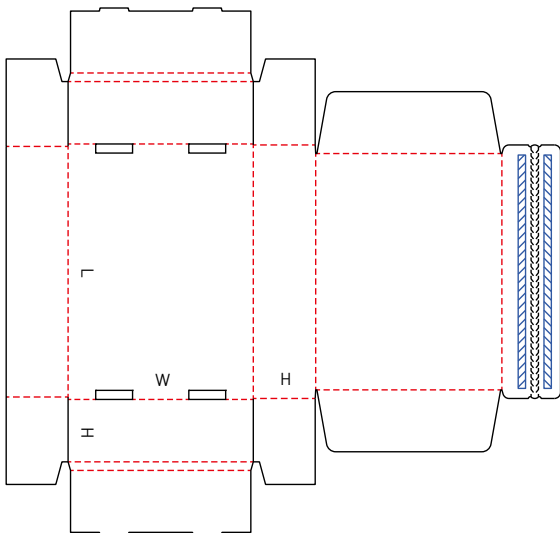
0882 M

NEW



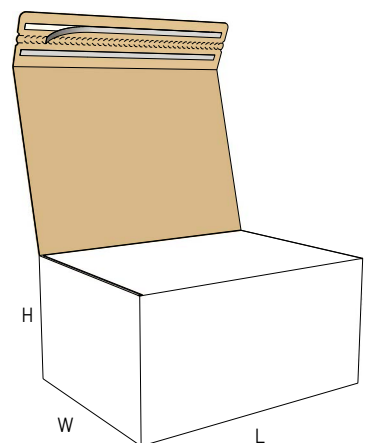
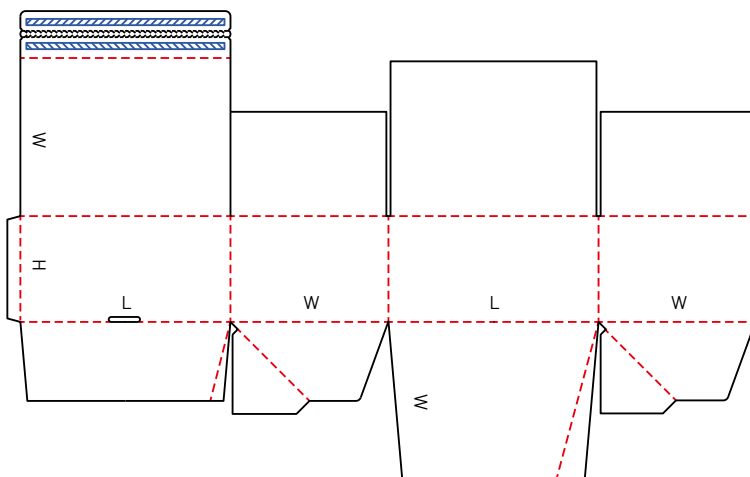
0885 M

NEW



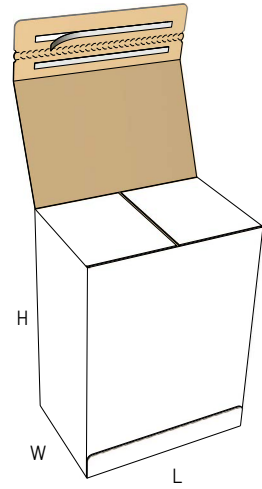
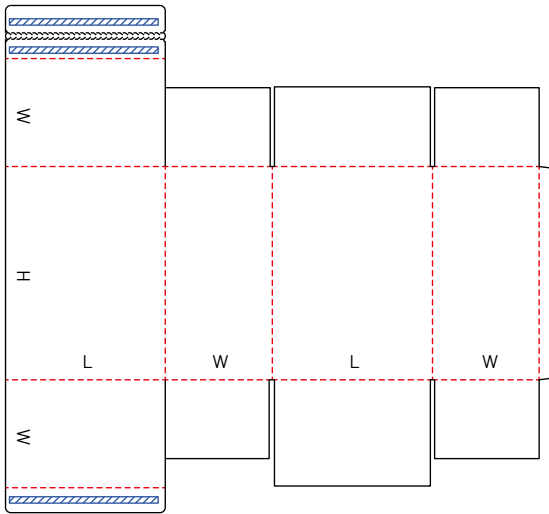
0886 M

NEW



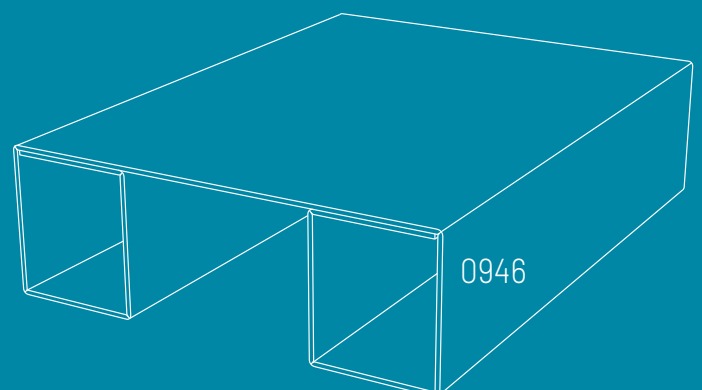
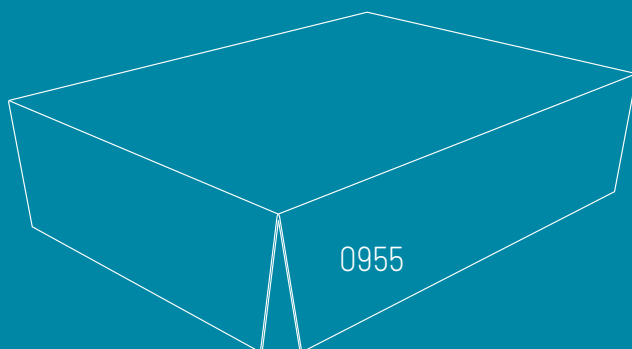
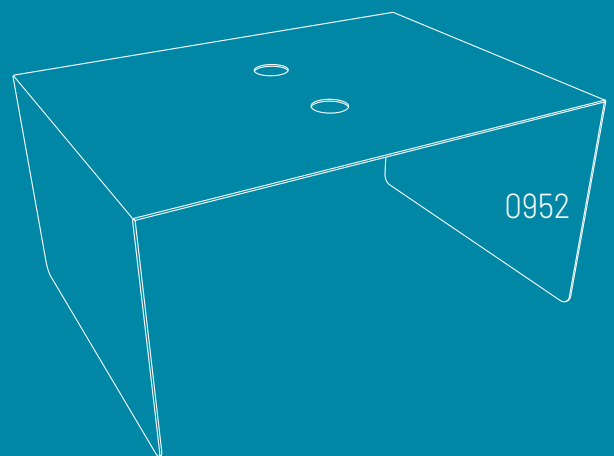
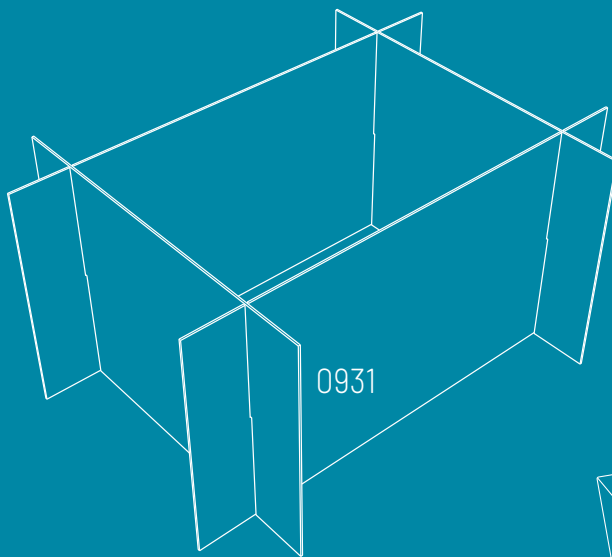
0887 M

NEW

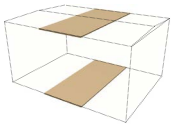


INTERIOR FITMENTS

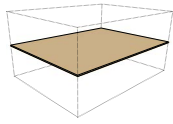
Interior fitments such as inside liners, pads, partitions, dividers, etc. whether integrated in the box design or as separate items. Any shown number of panels is arbitrary and may be increased or decreased as required.



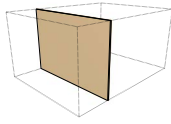
0900 M/A



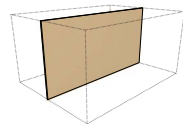
0901 M/A



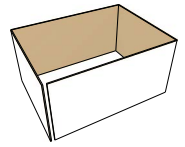
0902 M/A



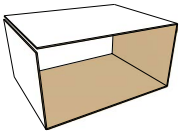
0903 M/A



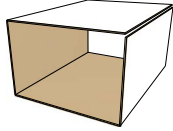
0904 M/A



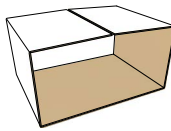
0905 M/A



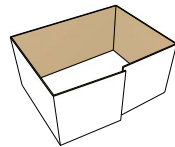
0906 M/A



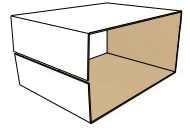
0907 M/A



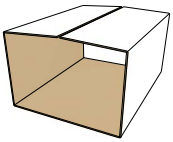
0908 M/A



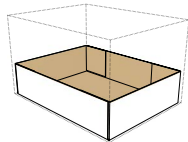
0909 M/A



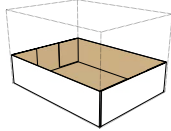
0910 M/A



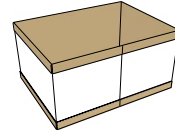
0911 M/A



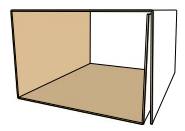
0912 M/A
NEW



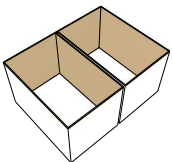
0913 M



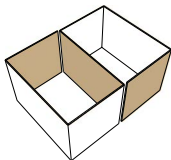
0914 M



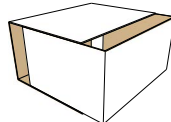
0920 M



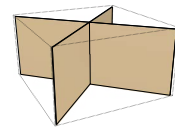
0921 M



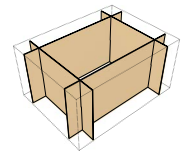
0929 M



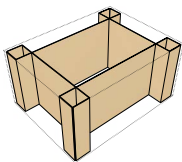
0930 M



0931 M



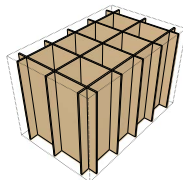
0932 M



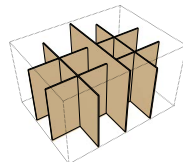
0933 M



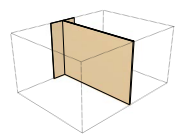
0934 M



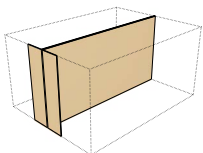
0935 M



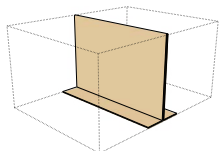
0936 M
NEW



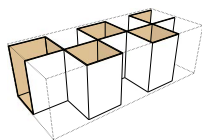
0937 M
NEW



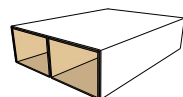
0938 M
NEW



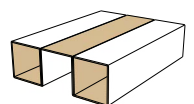
0939 M
NEW



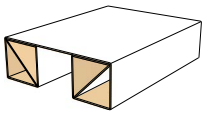
0940 M



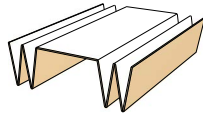
0941 M



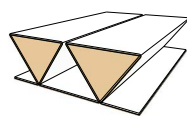
0942 M



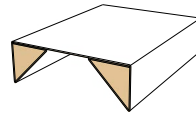
0943 M



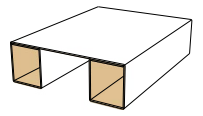
0944 M



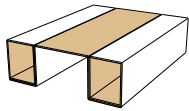
0945 M



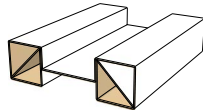
0946 M



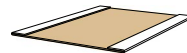
0947 M



0948 M



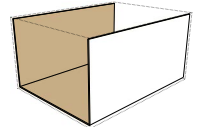
0949 M



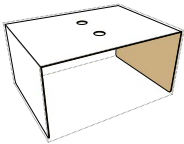
0950 M



0951 M



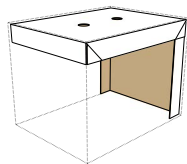
0952 M/A
NEW



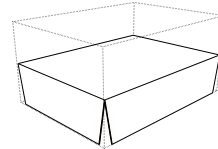
0953 M/A
NEW



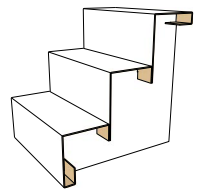
0954 M
NEW



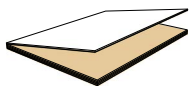
0955 M
NEW



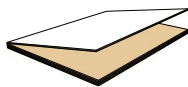
0960 M
NEW



0965 M



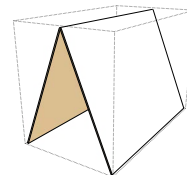
0966 M



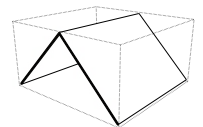
0967 M



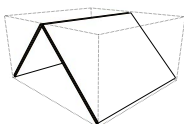
0970 M



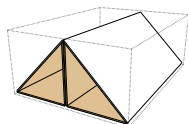
0971 M



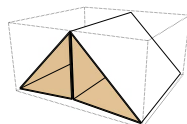
0972 M



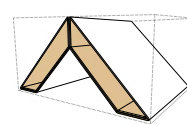
0973 M



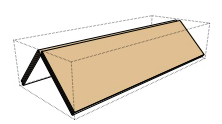
0974 M



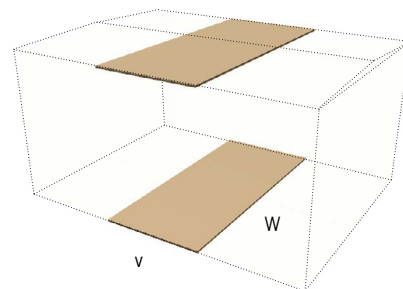
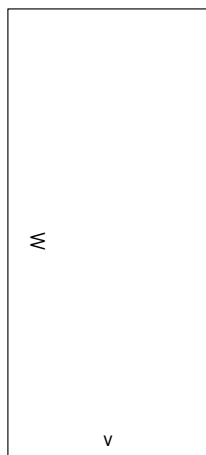
0975 M



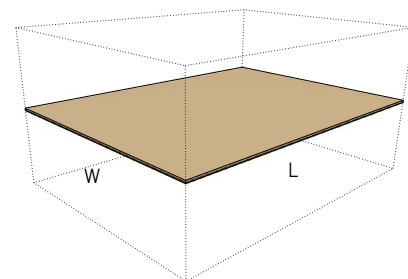
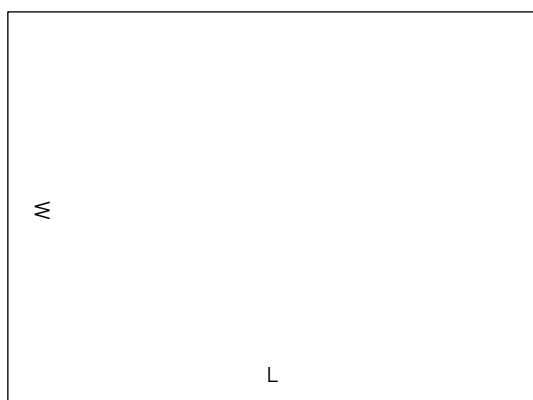
0976 M



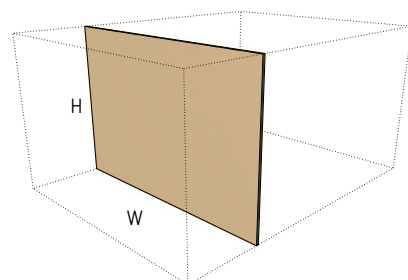
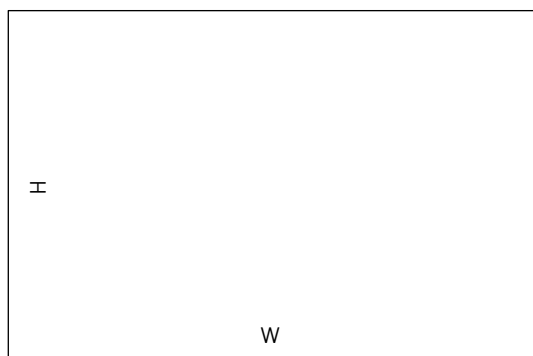
0900 M/A



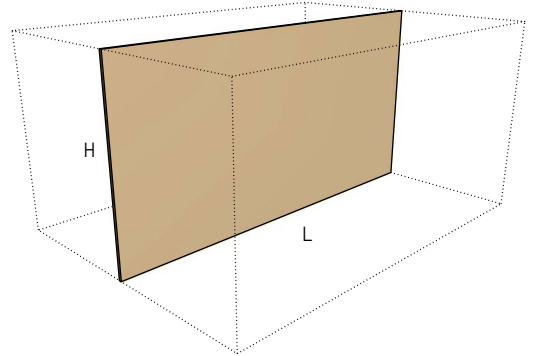
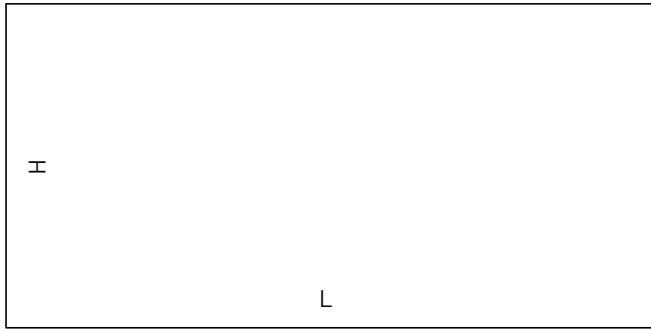
0901 M/A



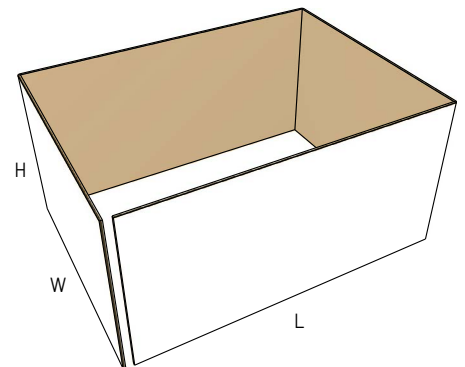
0902 M/A



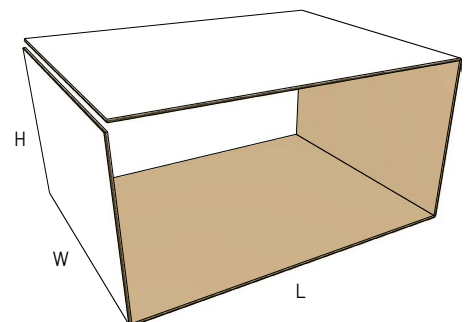
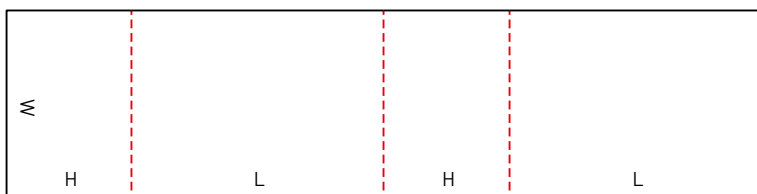
0903 M/A



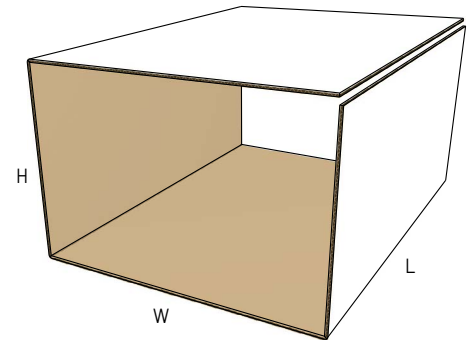
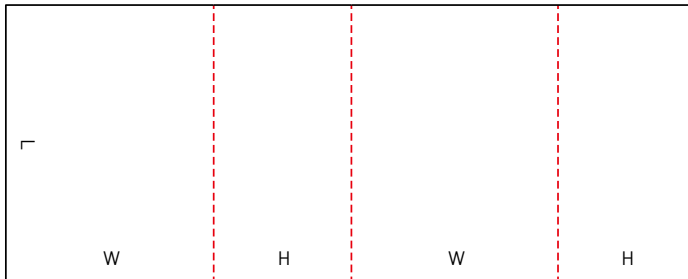
0904 M/A



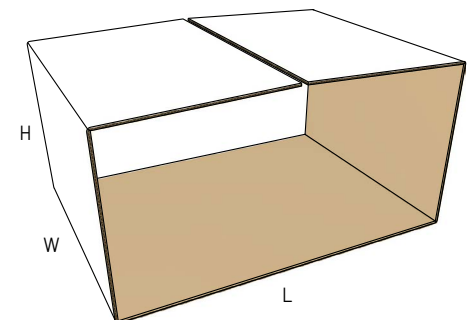
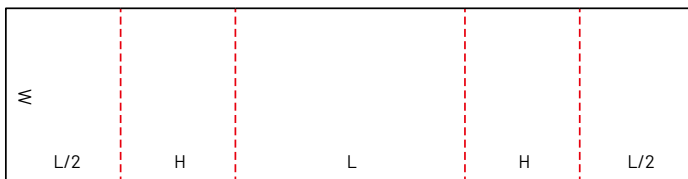
0905 M/A



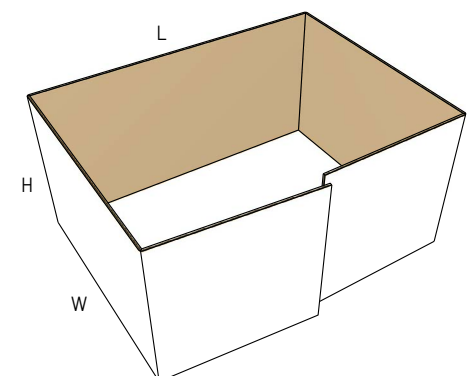
0906 M/A



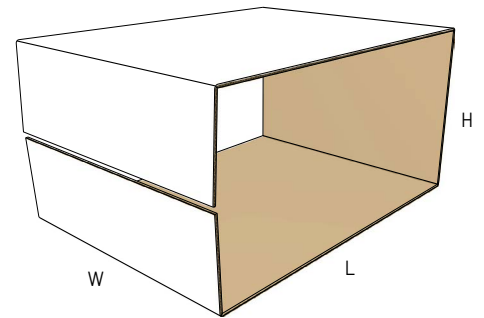
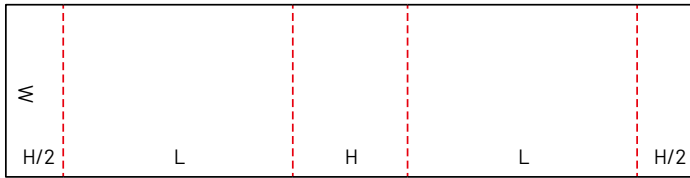
0907 M/A



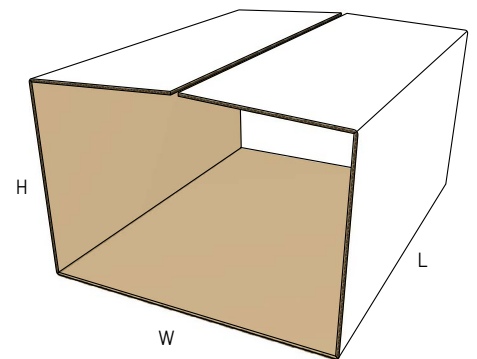
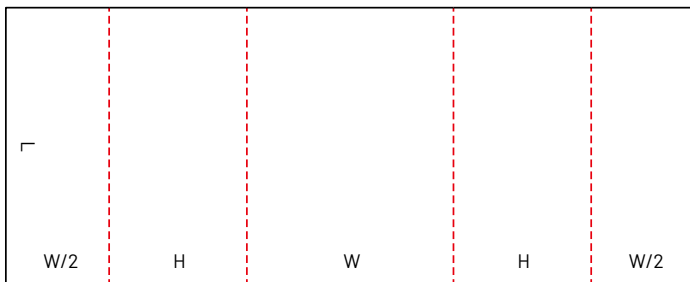
0908 M/A



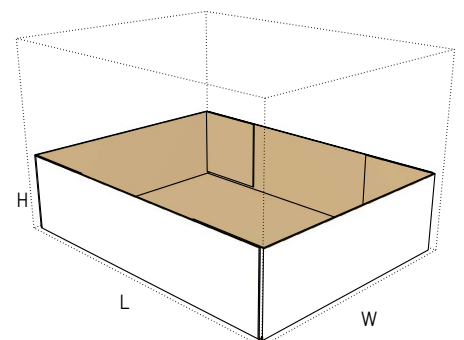
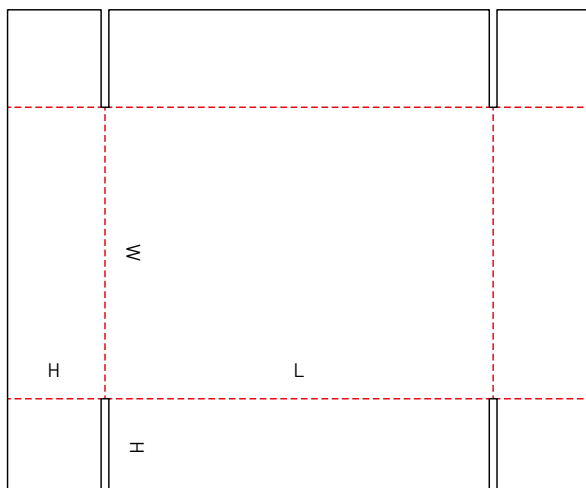
0909 M/A



0910 M/A

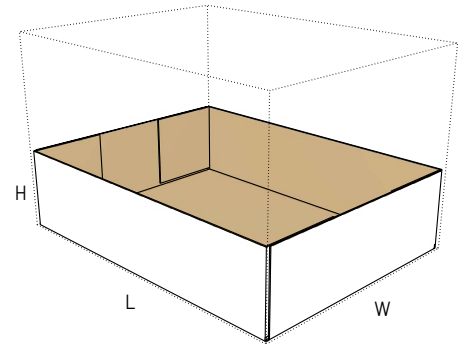
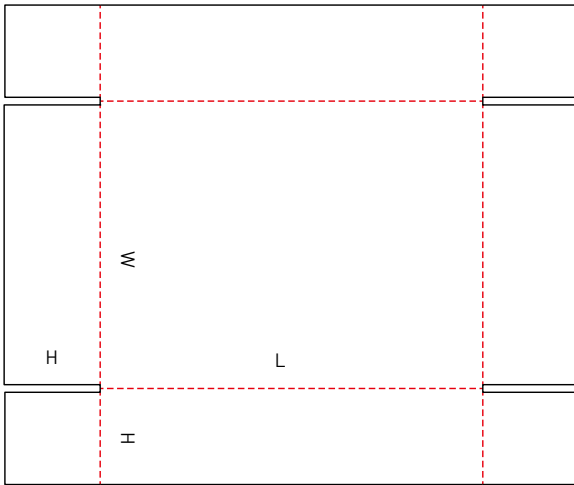


0911 M/A

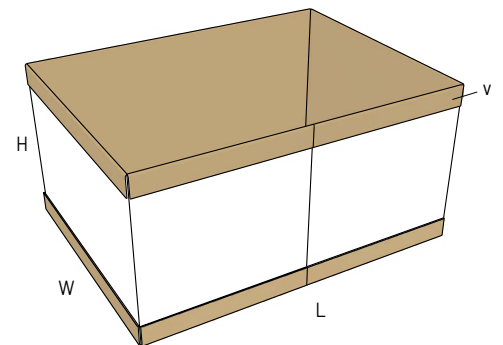
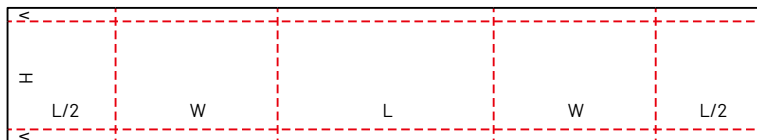


0912 M/A

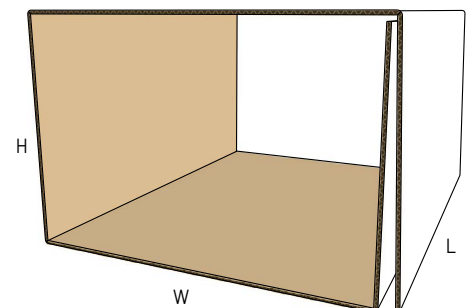
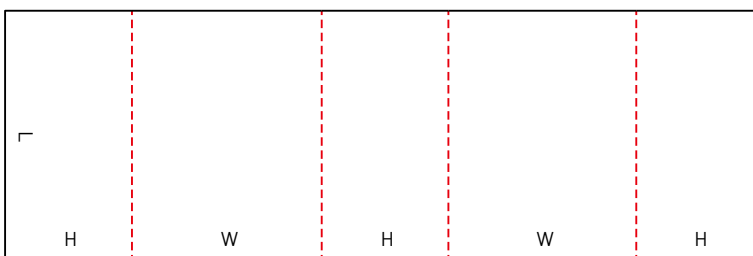
NEW



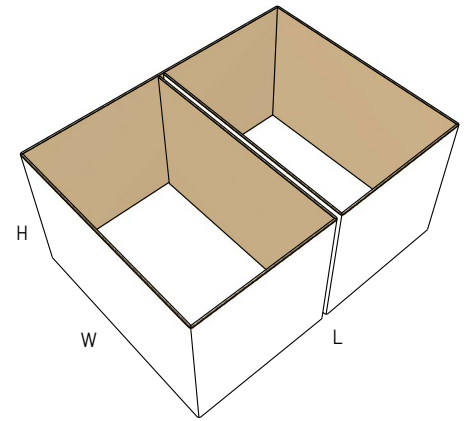
0913 M



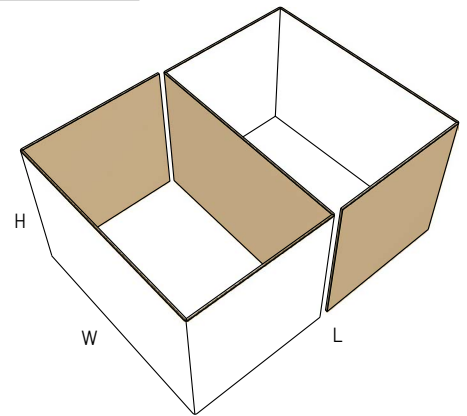
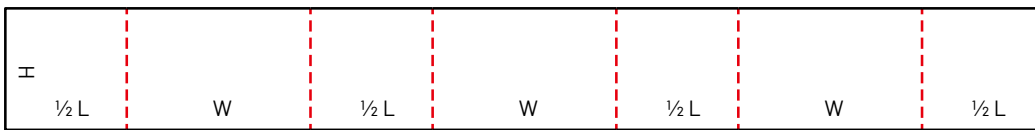
0914 M



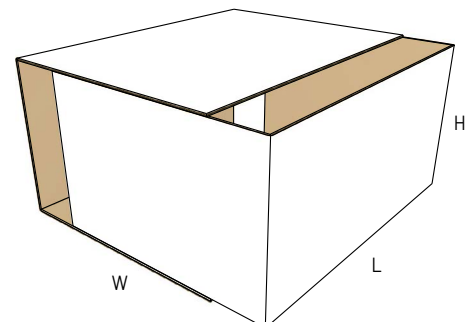
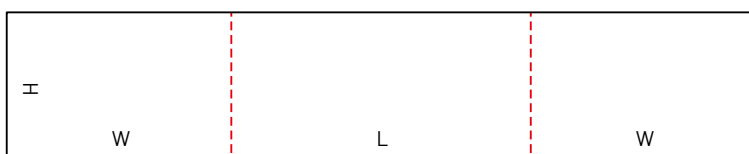
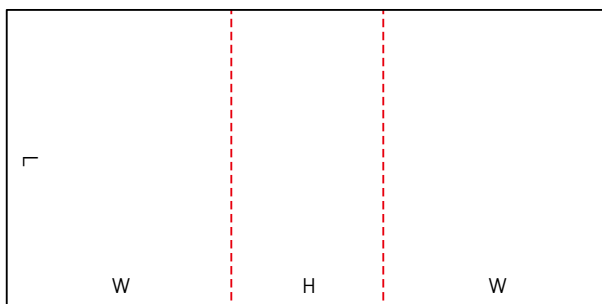
0920 M



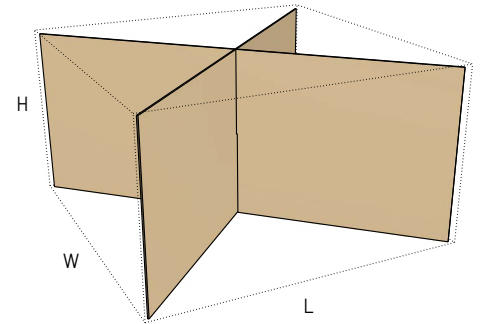
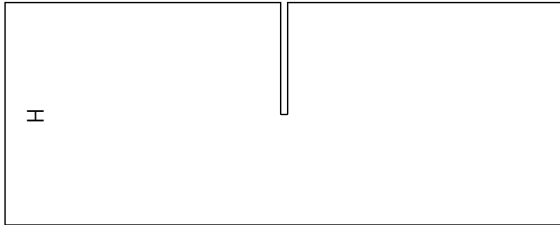
0921 M



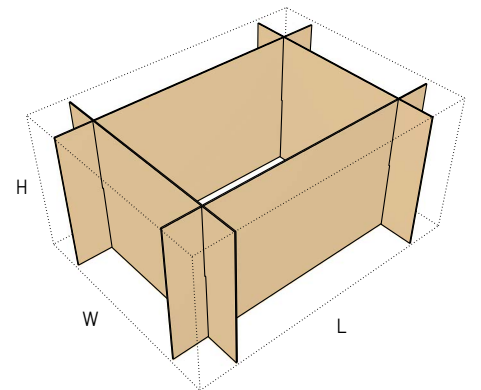
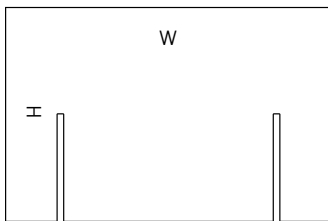
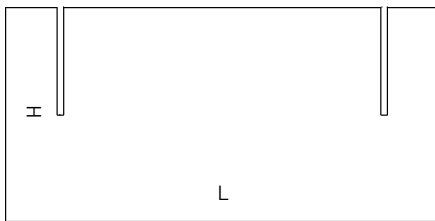
0929 M



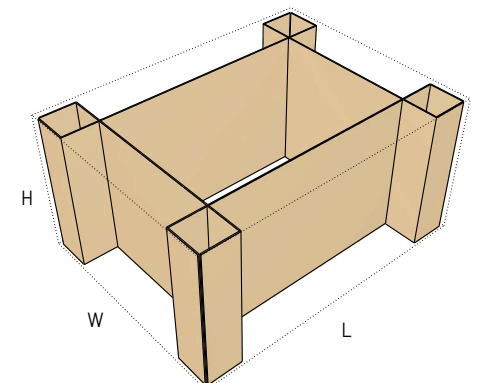
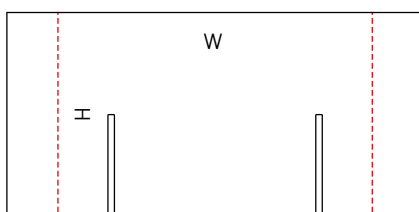
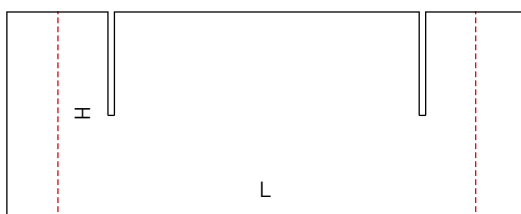
0930 M



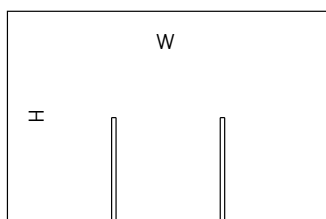
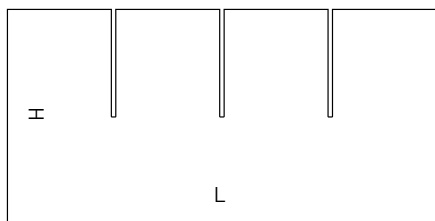
0931 M



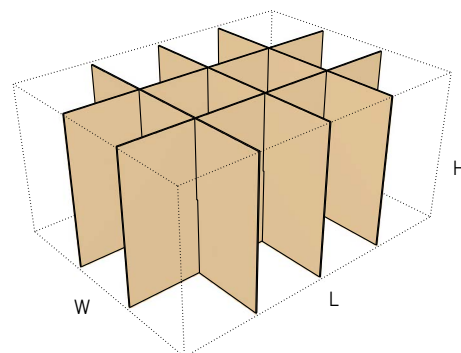
0932 M



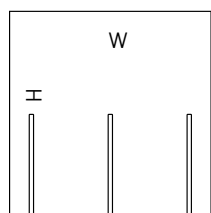
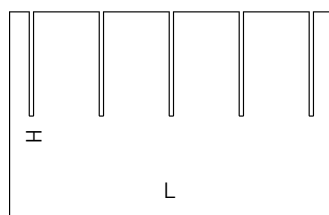
0933 M



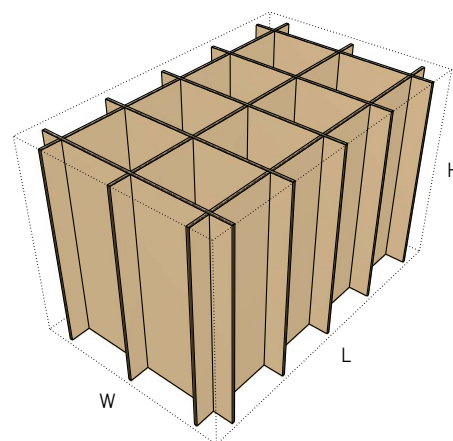
Number of cells
defined by user.



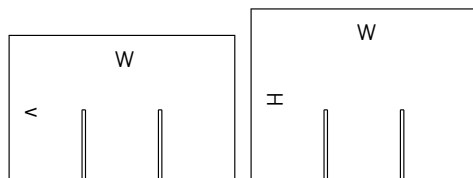
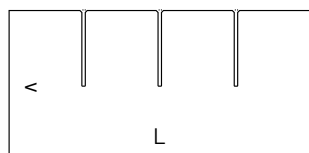
0934 M



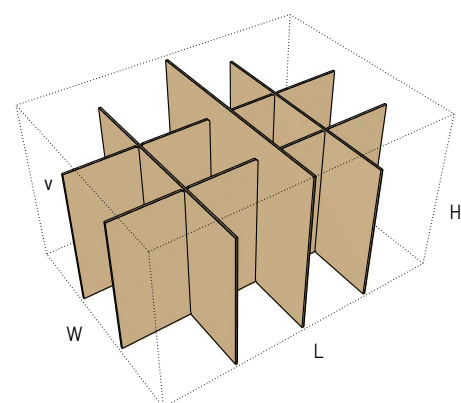
Number of cells
defined by user.



0935 M

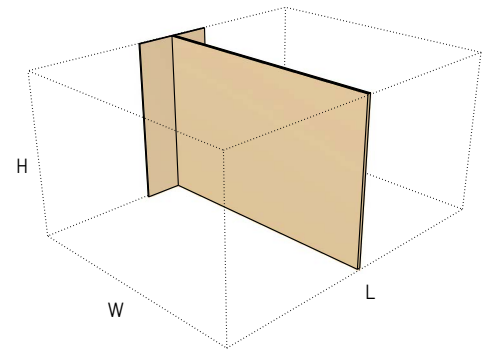


Number of cells
defined by user.



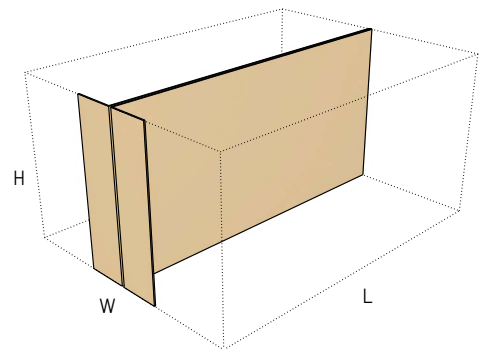
0936 M

NEW



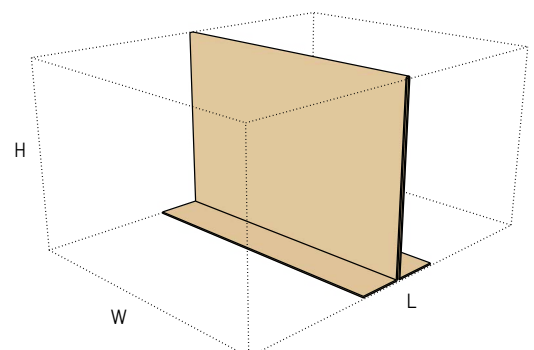
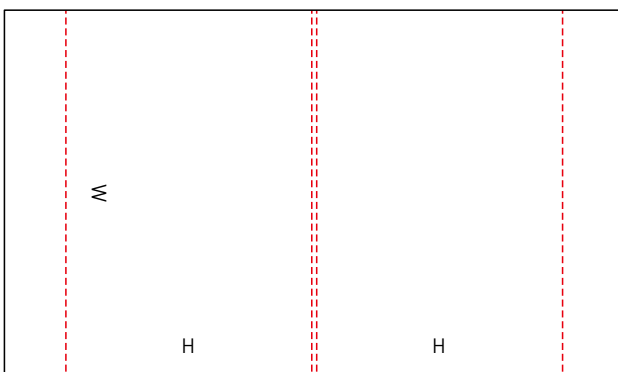
0937 M

NEW



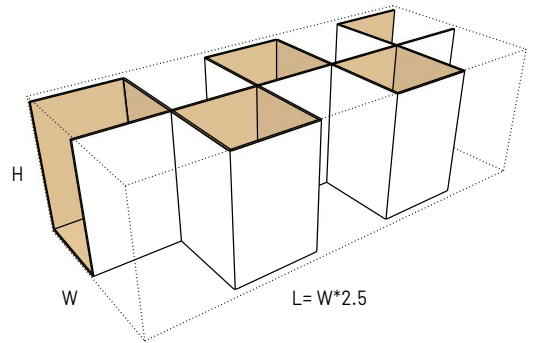
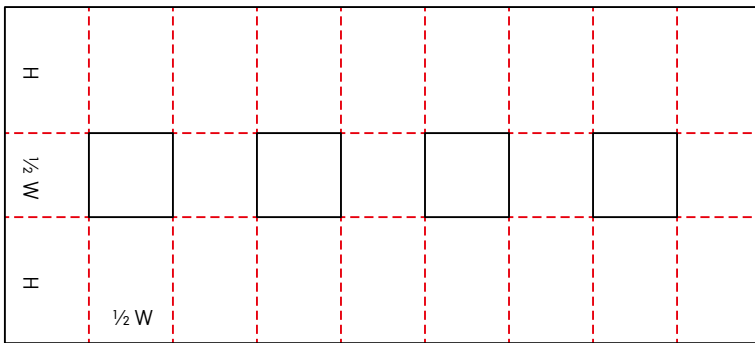
0938 M

NEW

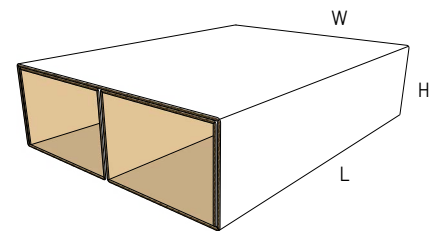
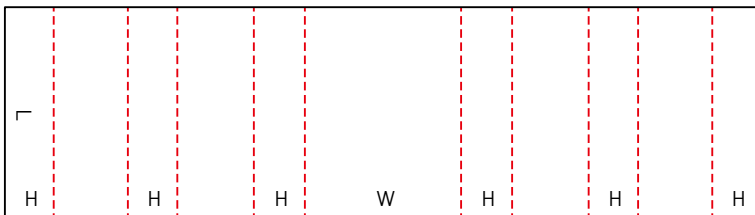


0939 M

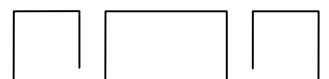
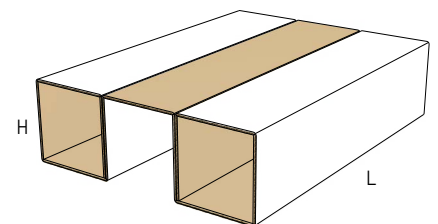
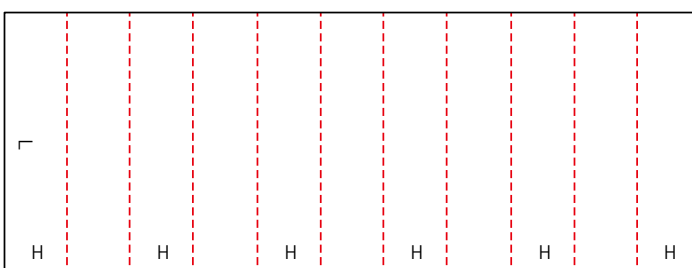
NEW



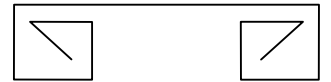
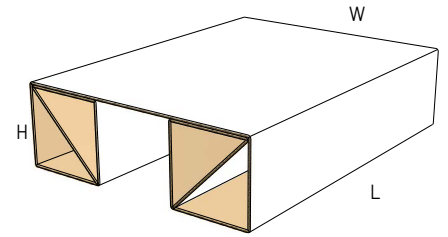
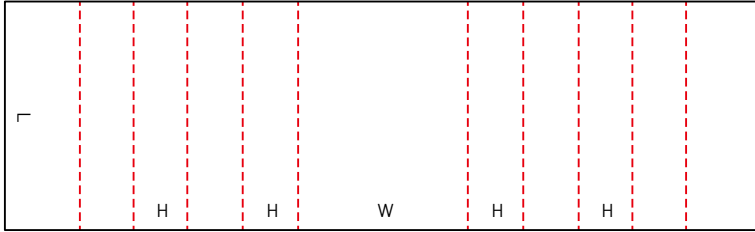
0940 M



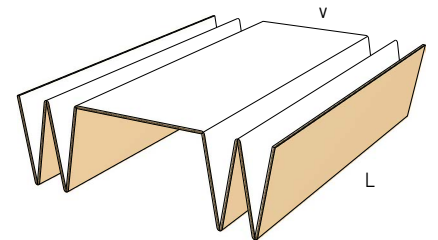
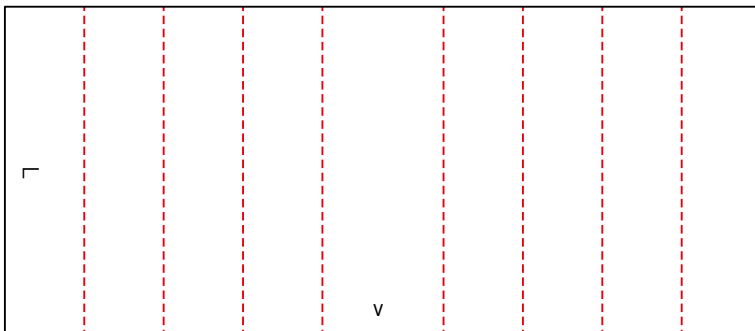
0941 M



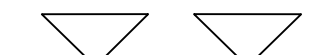
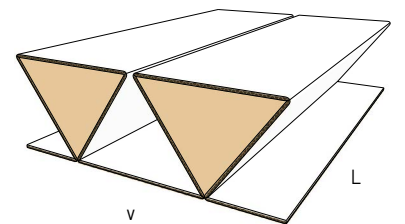
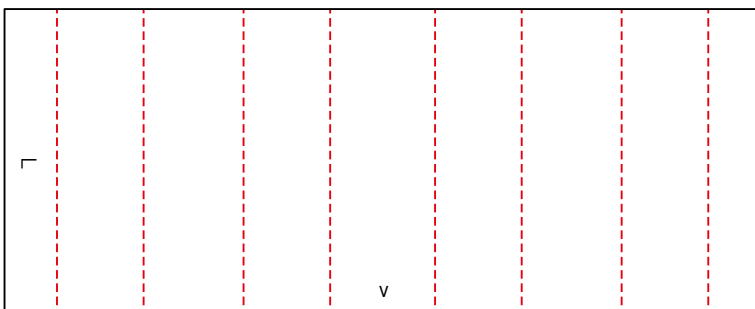
0942 M



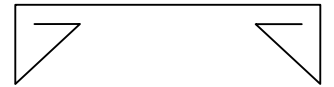
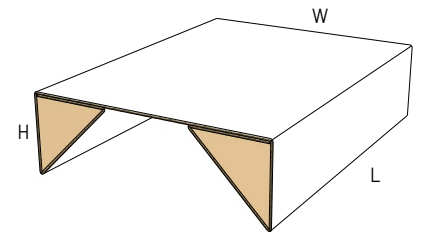
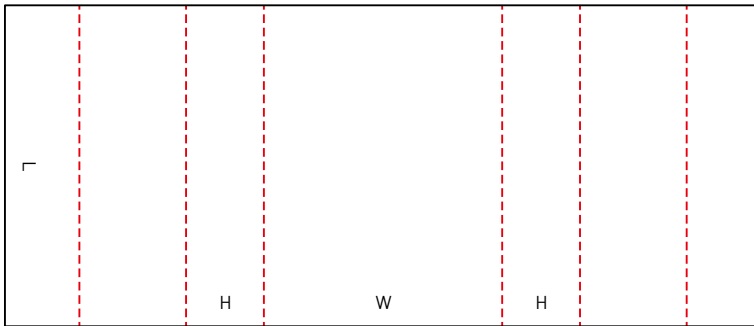
0943 M



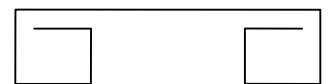
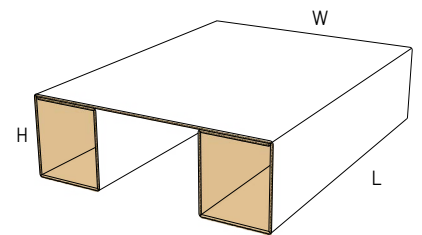
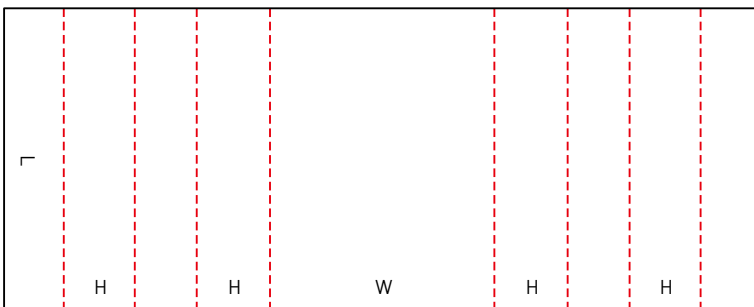
0944 M



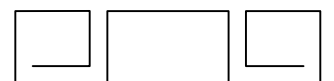
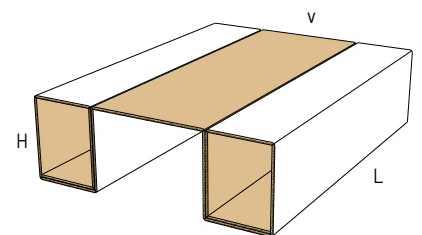
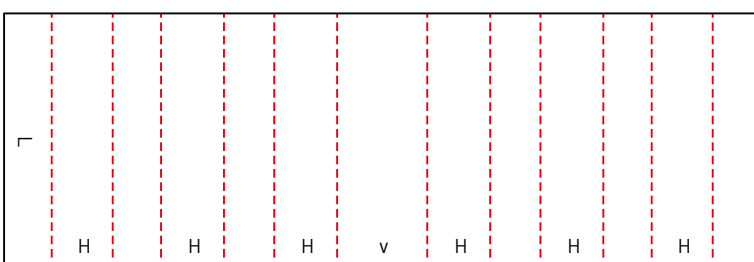
0945 M



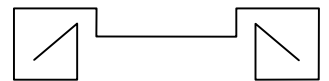
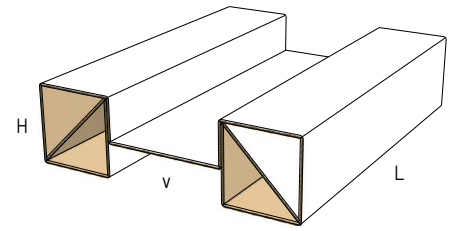
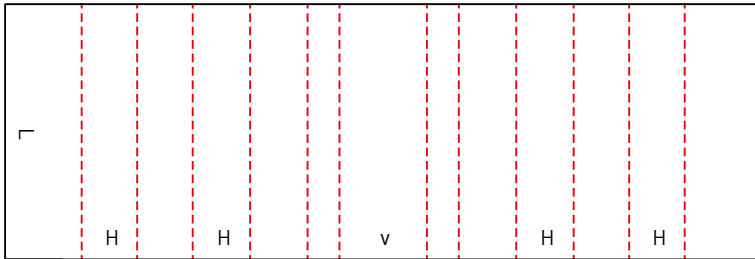
0946 M



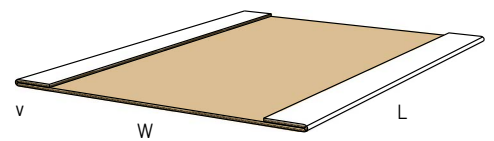
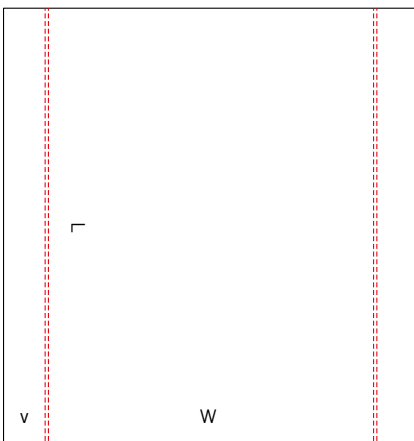
0947 M



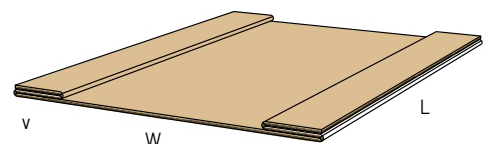
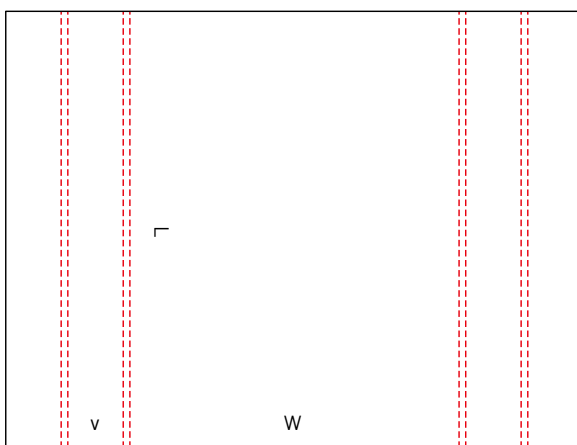
0948 M



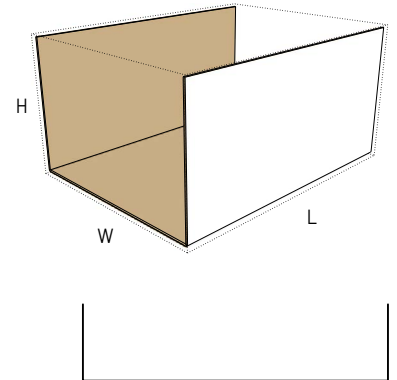
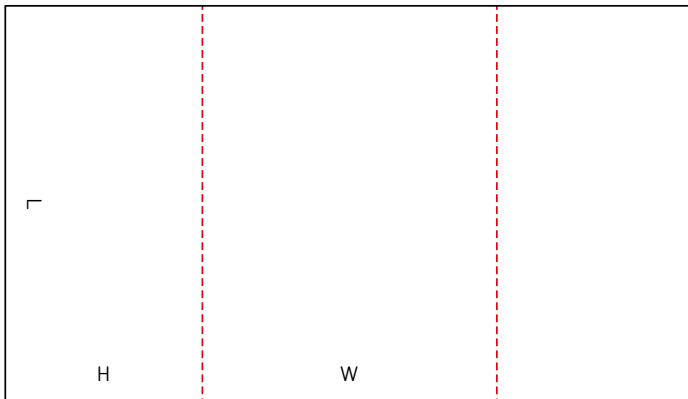
0949 M



0950 M

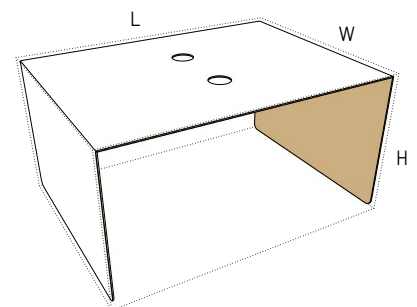
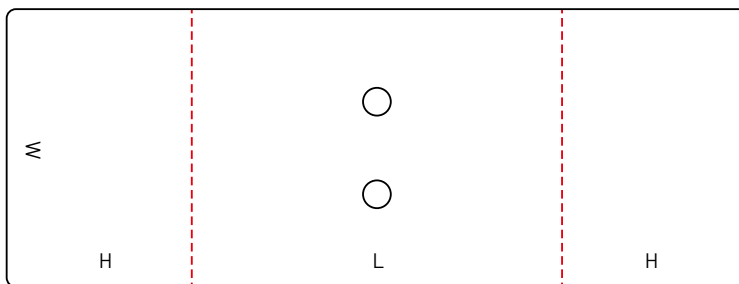


0951 M



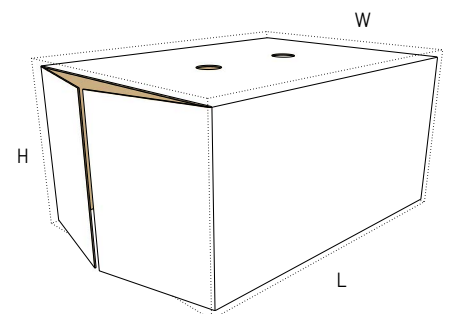
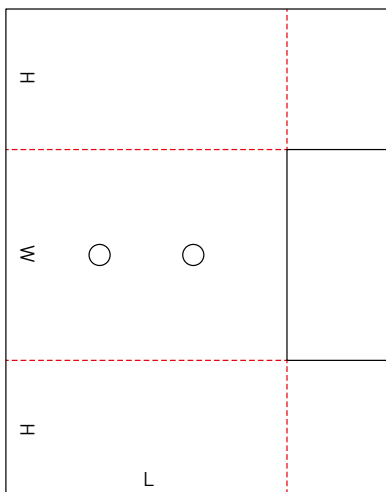
0952 M/A

NEW



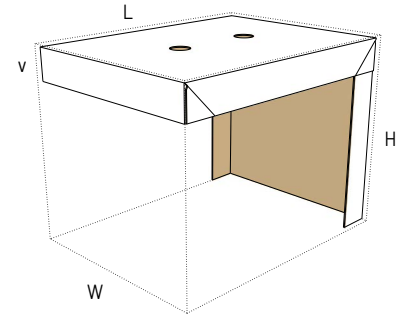
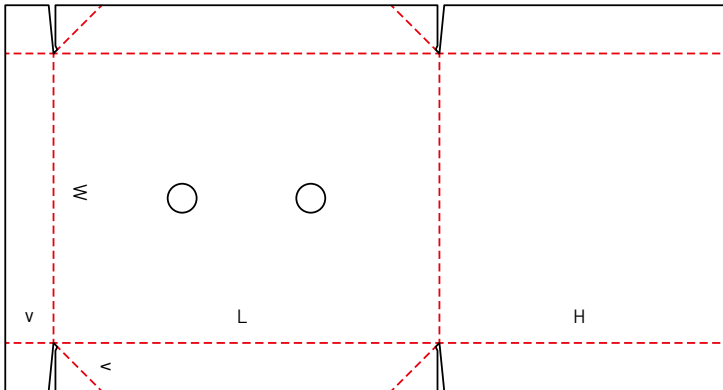
0953 M/A

NEW



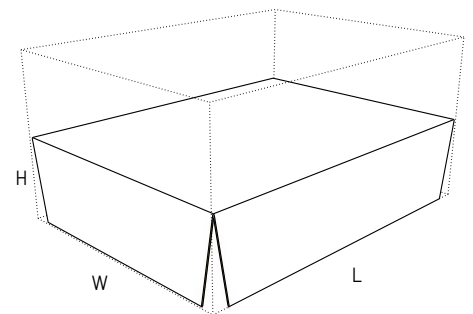
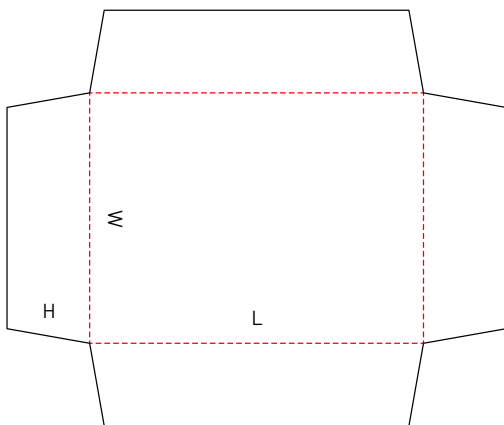
0954 M

NEW



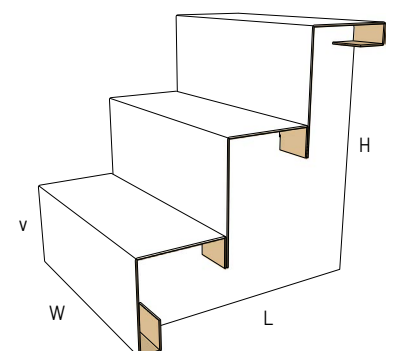
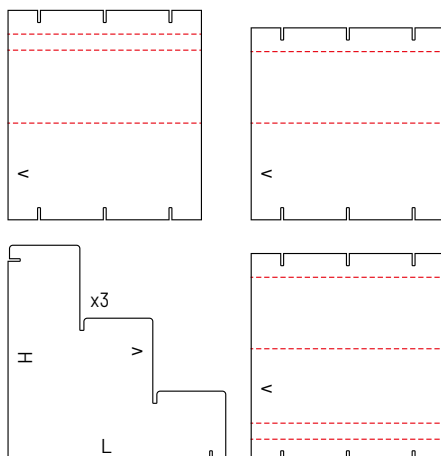
0955 M

NEW

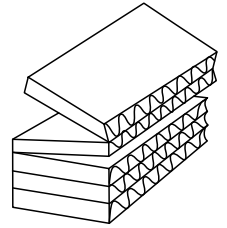
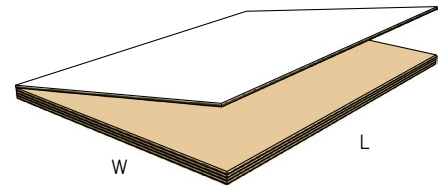


0960 M

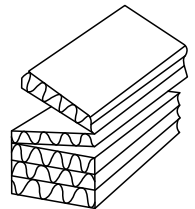
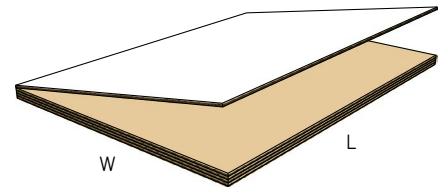
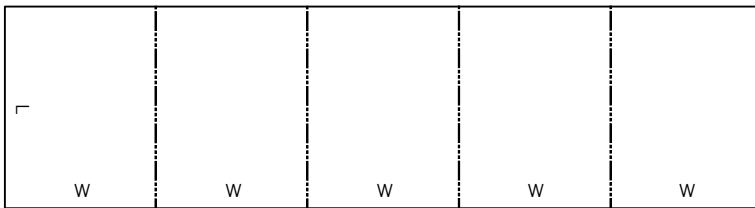
NEW



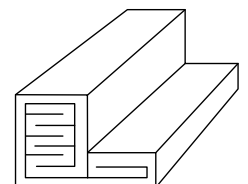
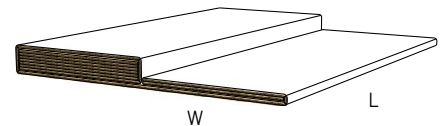
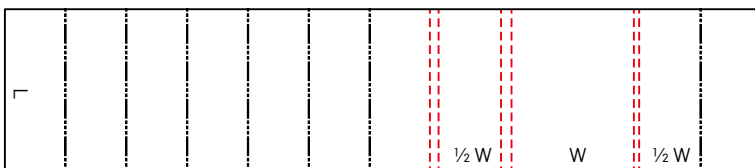
0965 M



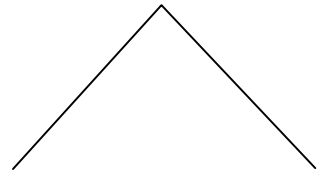
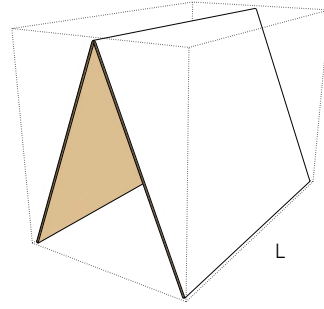
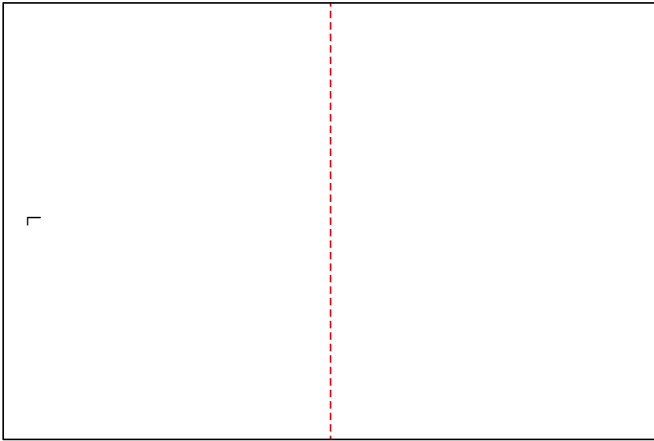
0966 M



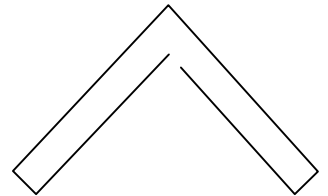
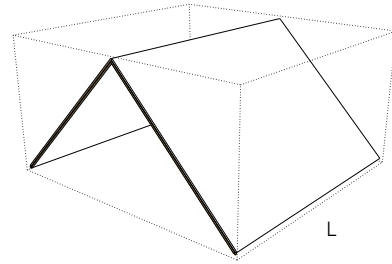
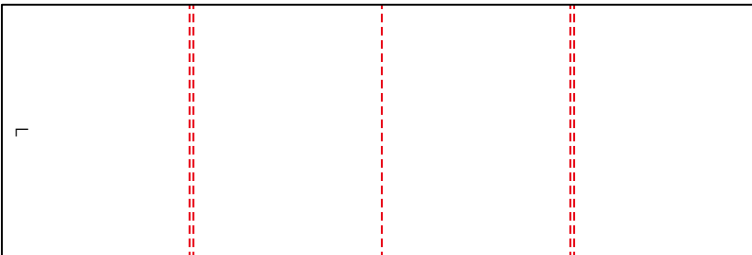
0967 M



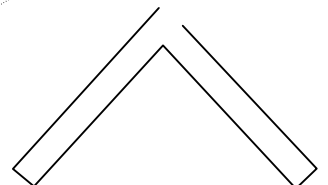
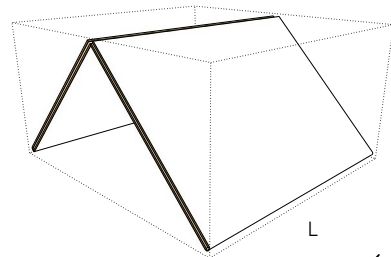
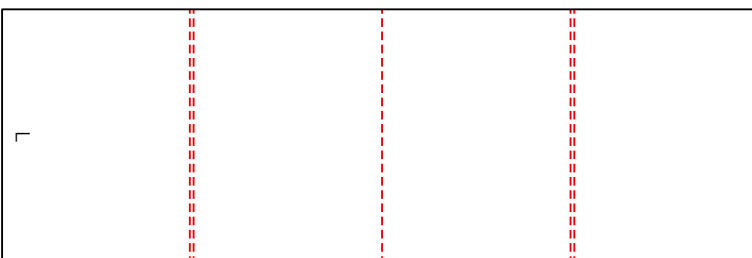
0970 M



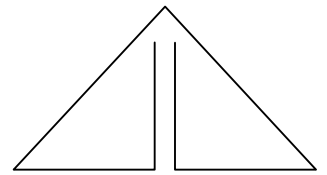
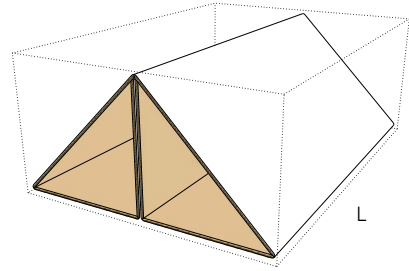
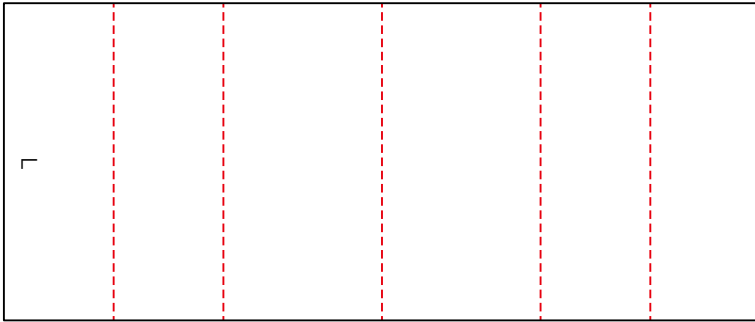
0971 M



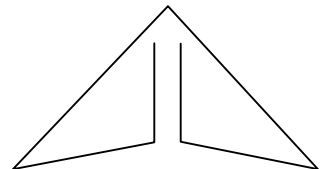
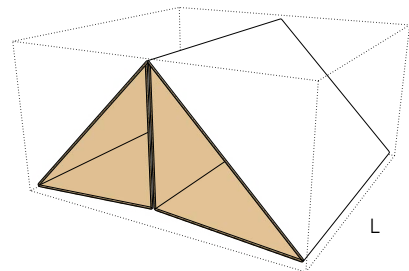
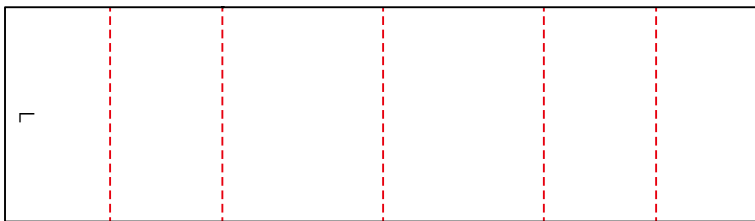
0972 M



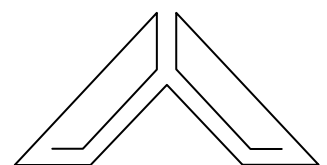
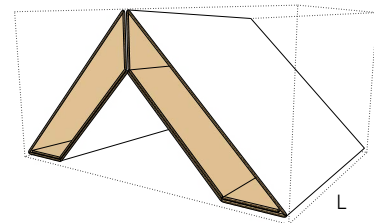
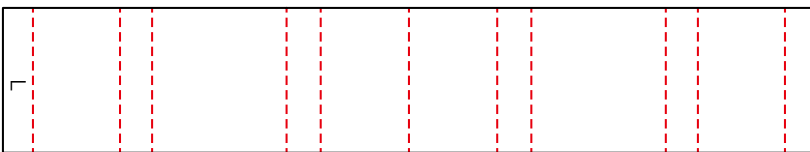
0973 M



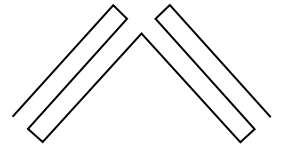
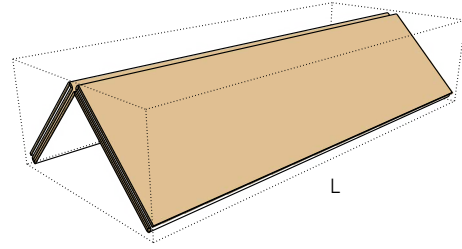
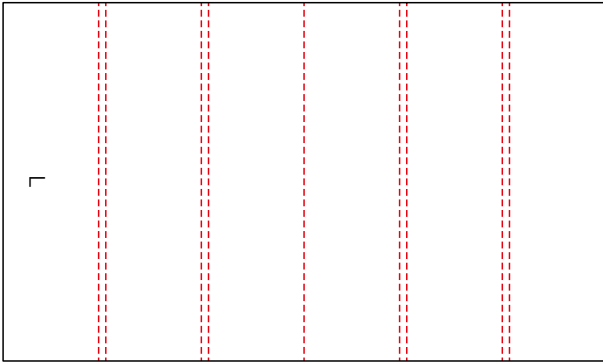
0974 M



0975 M



0976 M



www.fefco.org



250 Avenue Louise, 1050 Brussels
+32 2 646 4070 – info@fefco.org

MEMBER OF  